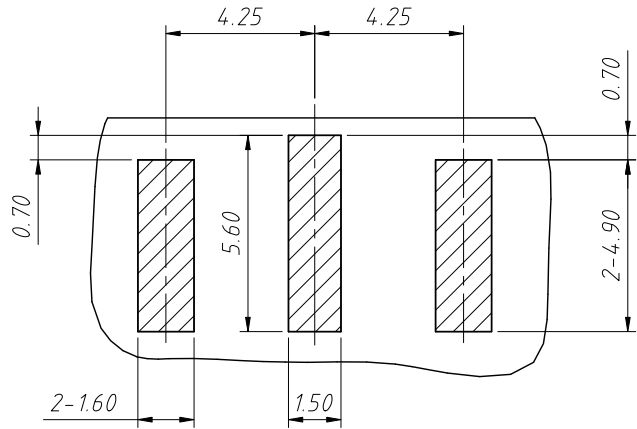
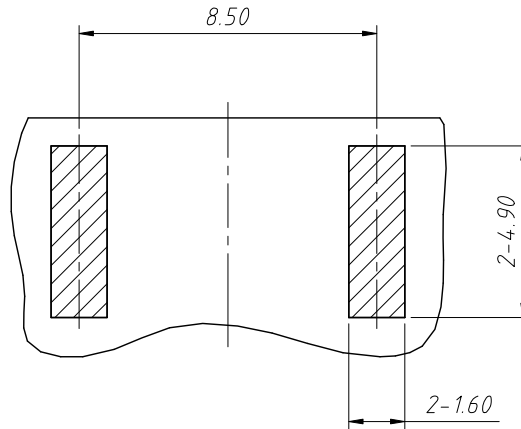


1 RoHS Compliance



TOP VIEW

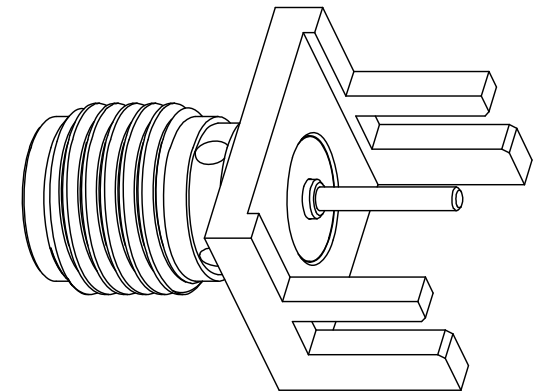
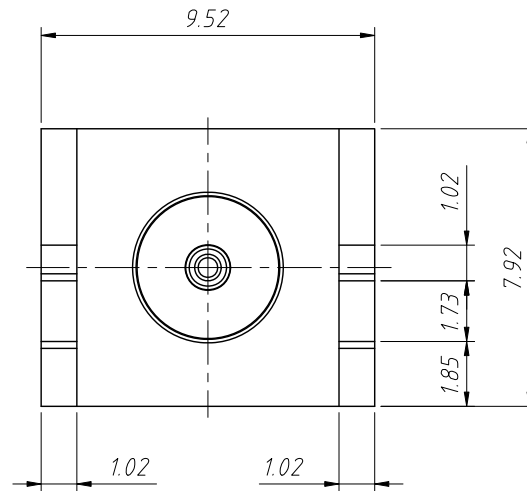
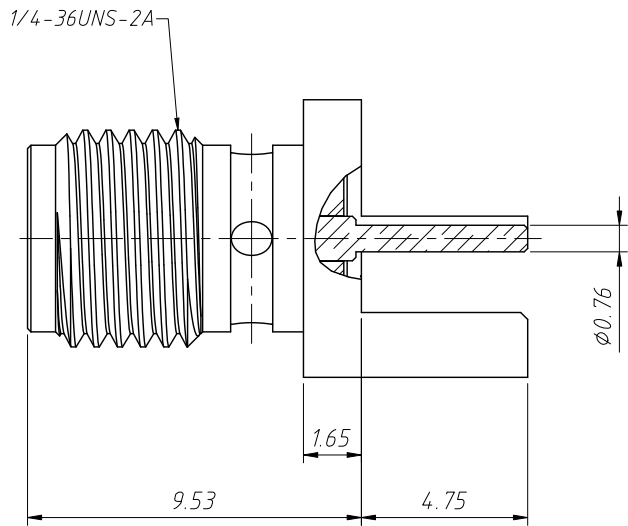
RECOMMENDED PCB LAYOUT



BOTTOM VIEW

Material:
 Body: Brass, Gold Plating
 Insulator: PTFE, Natural
 Contact Pin: Ber. Copper, Gold Plating

Electrical:
 Impedance: 50Ω
 Frequency Range: 0-6 GHz
 VSWR: 1.3 Max.
 Dielectric Withstanding Voltage: 1000 VRMS Min.
 Board Thickness = 1.57mm
 Contact Pin Must Withstand 6 Lbs Min.
 Axial In Both Directions And 4 In -OZ Min.
 Radial Force.

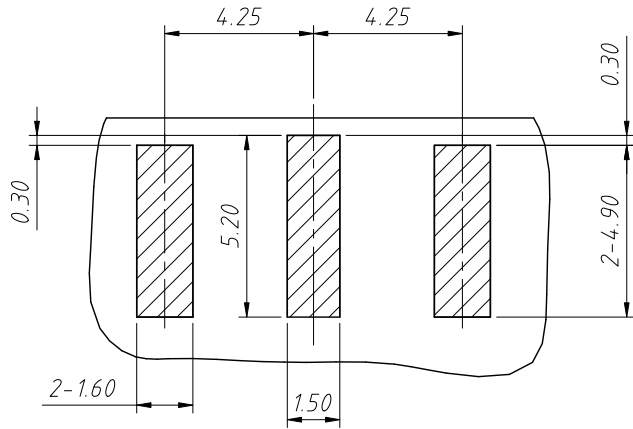


ANGLE TOLERANCE	PROJECTION	Description:	RF Connector SMA PCB End Launch (Jack, Female) L 14.3mm / L 17.4mm
±3°			
GENERAL TOLERANCE	UNITS	mm	KLS P/N: L-KLS1-SMA017-L14.3
x.x ±0.30	SHEET SIZE	A4	
x.xx ±0.20	Draw:	Daniel	2020-11-11
x.xxx ±0.10	Check:	Daniel	2020-11-11

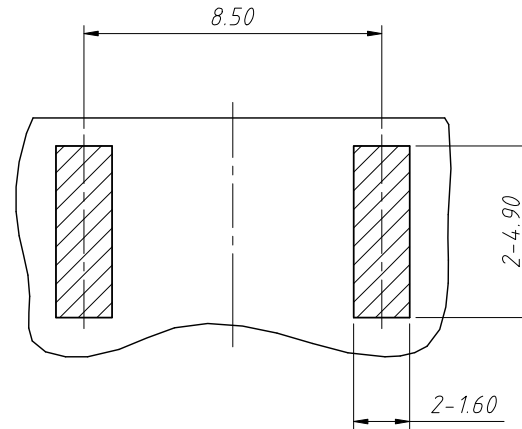


NingBo KLS ELECTRONIC CO.,L TD.

1 RoHS Compliance



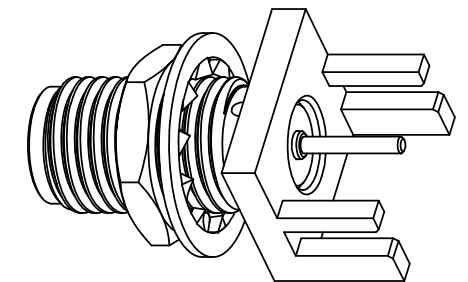
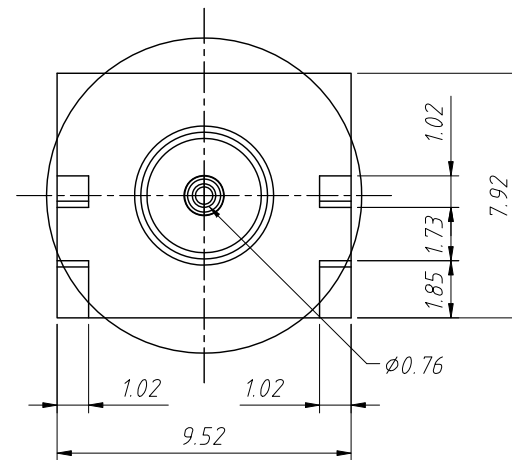
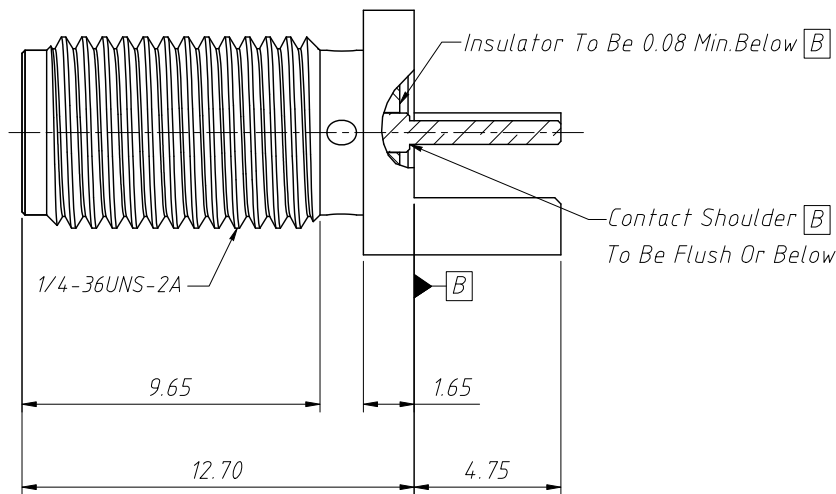
TOP VIEW



RECOMMENDED PCB LAYOUT BOTTOM VIEW

Material:
 Body: Brass, Gold Plating
 Insulator: PTFE, Natural
 Contact Pin: Ber. Copper, Gold Plating
 Lock Washer: Brass, Gold Plating
 Hex Nut: Brass, Gold Plating

Electrical:
 Impedance: 50Ω
 Frequency Range: 0-6 GHz
 Dielectric Withstanding Voltage: 1000 VRMS Min.
 Durability: 500 Cycles Min
 Temperature Range: -65°C to +165°C
 Board Thickness = 1.57mm
 Max. Panel Thickness = 3.5mm
 Contact Pin Must Withstand 6 Lbs Min.
 Axial In Both Directions And 4 In -OZ Min. Radial Force.



ANGLE TOLERANCE	PROJECTION	Description:	RF Connector SMA PCB End Launch (Jack, Female) L 14.3mm / L 17.4mm
±3°			
GENERAL TOLERANCE	UNITS	mm	KLS P/N: L-KLS1-SMA017-L17.4
x.x ±0.30	SHEET SIZE	A4	
x.xx ±0.20	Draw:	Daniel	2020-11-11
x.xxx ±0.10	Check:	Daniel	2020-11-11



NingBo KLS ELECTRONIC CO.,L TD.