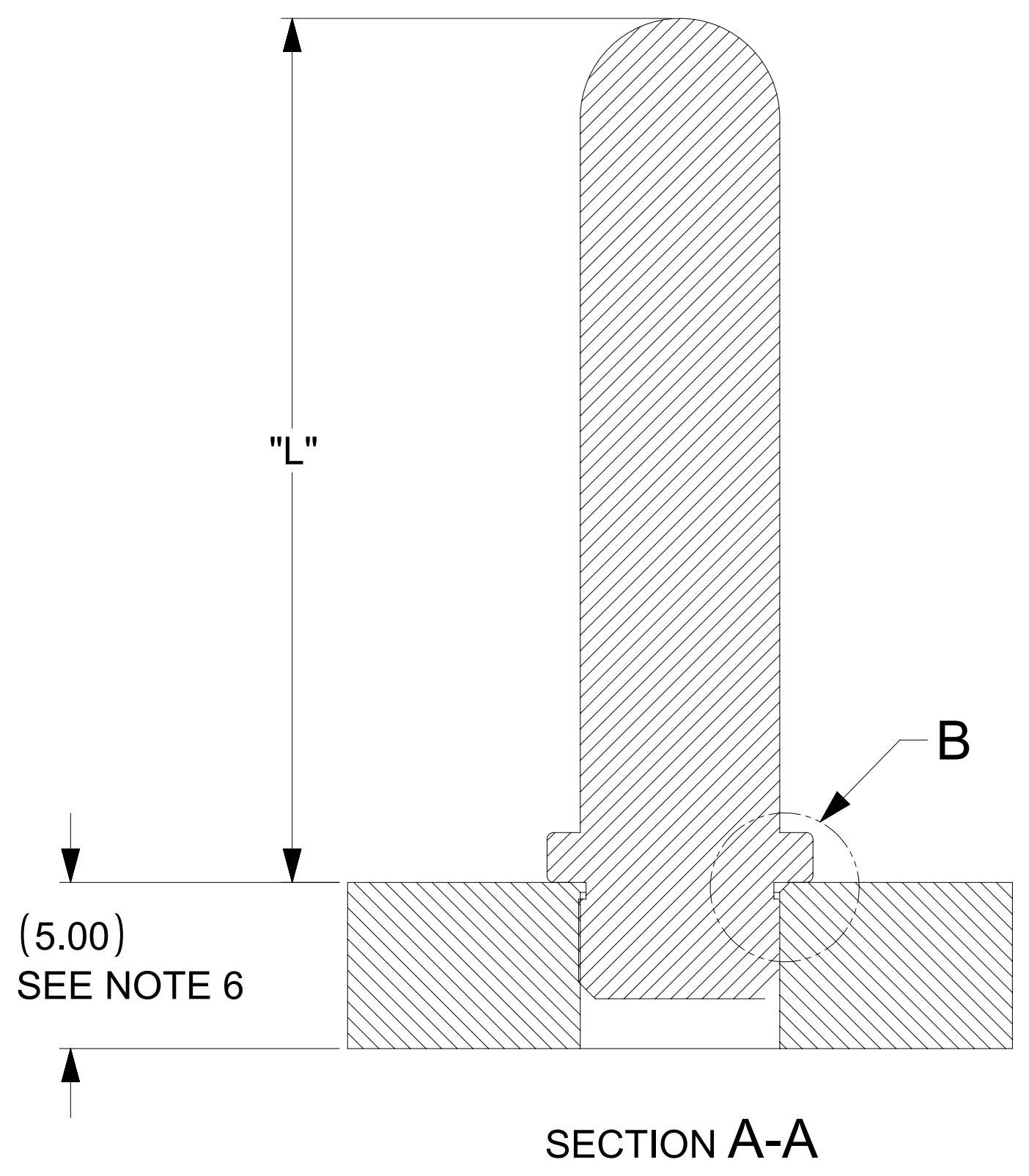
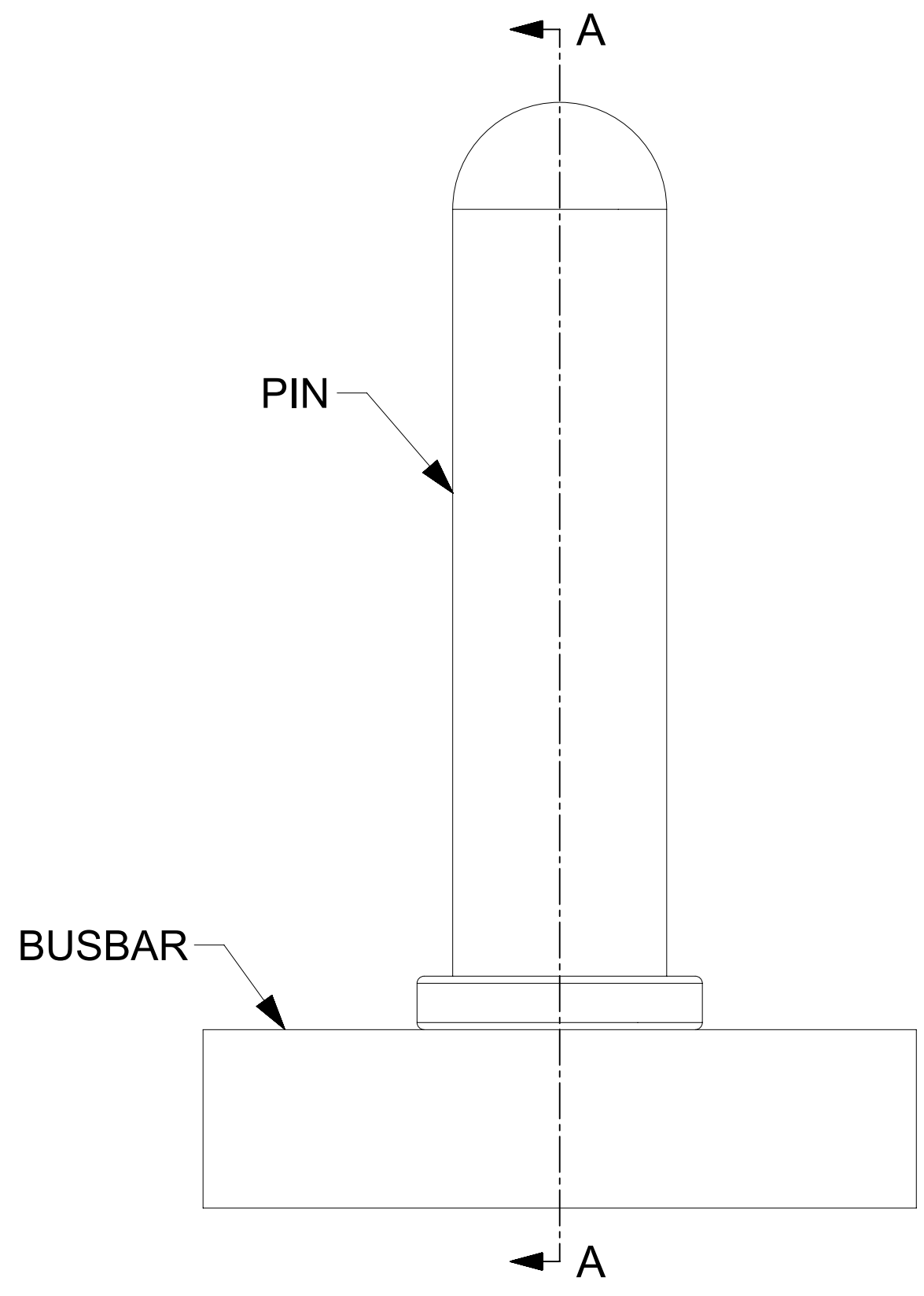


NOTES :

1. MATERIAL:
 - BASE METAL: HIGH CONDUCTIVE COPPER ALLOY
 - PLATING ON BODY: 3.18 MICRON MIN SILVER OVER 1.27 MICRON MIN NICKEL
2. PRODUCT SPECIFICATION: 2043130006-PS
3. APPLICATION SPECIFICATION: 2043130006-AS
4. PACKAGING SPECIFICATION: 2032630006-PK
5. SILVER COMPONENTS WILL BE SUPPLIED TARNISH FREE BUT MAY TARNISH OVER TIME.
6. MINIMUM RECOMMENDED BUSBAR THICKNESS IS 1.5MM

PART NUMBER	DIMENSION "L"
203263-0006	26.00
203263-0016	20.00
203263-0026	14.00
203263-0036	36.00
203263-0046	17.95
203263-0056	16.00
203263-0066	48.00
203263-0076	12.00



THIS DRAWING CONTAINS INFORMATION THAT IS PROPRIETARY TO MOLEX ELECTRONIC TECHNOLOGIES, LLC AND SHOULD NOT BE USED WITHOUT WRITTEN PERMISSION											
DIMENSION UNITS		SCALE		CURRENT REV DESC: ADDED P/N 203263-0076							
mm		10:1									
GENERAL TOLERANCES (UNLESS SPECIFIED)											
ANGULAR TOL ± 0.5°											
4 PLACES ±		EC NO: 785086									
3 PLACES ±		DRWN: AKASHM6		2024/05/02							
2 PLACES ± 0.15		CHK'D: SACHIK7		2024/05/03							
1 PLACE ± 0.25		APPR: HTHYAGARAJ		2024/05/08							
0 PLACES ±		INITIAL REVISION:									
		DRWN: FCSSO		2018/10/01							
		APPR: BPISZCZOR		2019/06/10							
DRAFT WHERE APPLICABLE MUST REMAIN WITHIN DIMENSIONS				THIRD ANGLE PROJECTION		DRAWING		SERIES		MATERIAL NUMBER	
				D-SIZE		203263		SEE TABLE		CUSTOMER	
								GENERAL MARKET		SHEET NUMBER	
										1 OF 1	

DOCUMENT STATUS	P1	RELEASE DATE	2024/05/08	08:48:10
-----------------	----	--------------	------------	----------