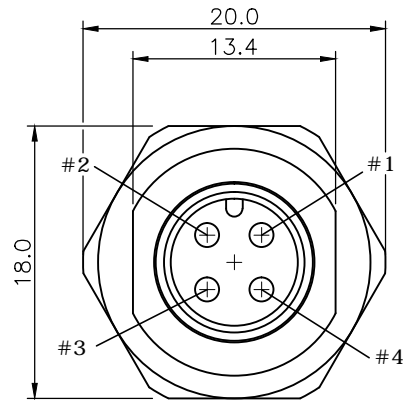
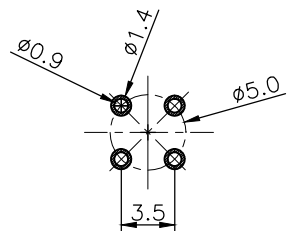
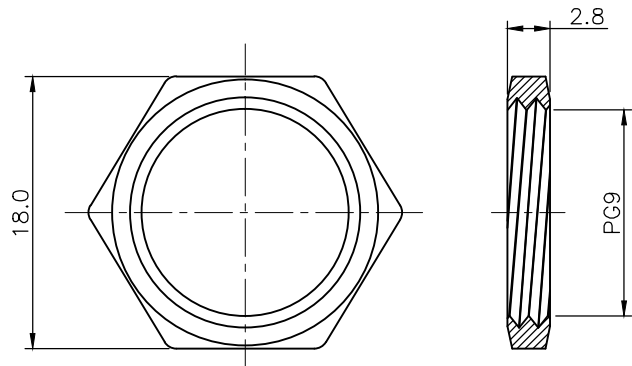


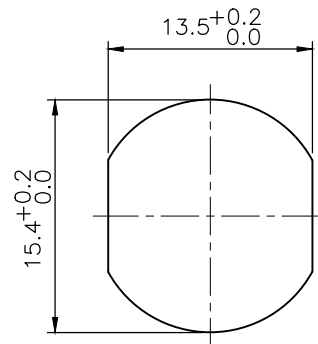
BODY



NUT \triangle_2

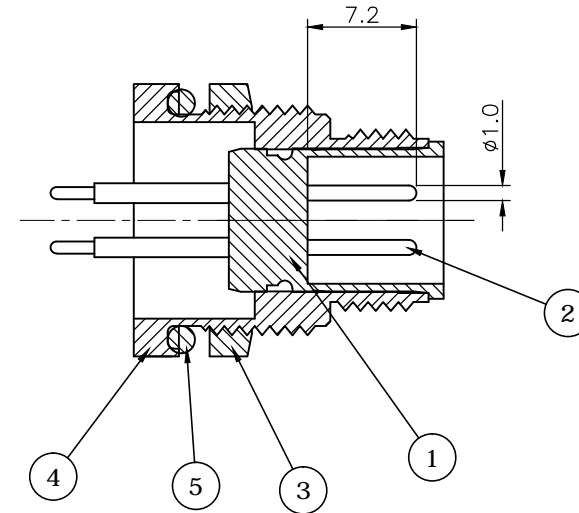


RECOMMEND PCB LAYOUT



RECOMMEND PANEL CUT OUT

REV.	DESCRIPTION	DRAWN	DATE
1	INITIAL RELEASE	FROS	2015/09/08
2	ECR-1700024	FROS	2017/10/06
3	ECR220421001	TIM	2022/04/21



SPECIFICATION:

1. CURRENT RATING: 4A
2. VOLTAGE: 250V
3. WATER PROOF: IPX7
4. OPERATION TEMPERATURE: -40°C TO +85°C

5	O-RING	EPDM
4	SHELL	BRASS, NICKEL PLATED
3	NUT	BRASS, NICKEL PLATED
2	CONTACT	BRASS, 10u" GOLD PLATED UNDER NICKEL
1	HOUSING	PBT, UL94V-0, BLACK
NO.	PART NAME	DESCRIPTION

UNLESS OTHERWISE SPECIFIED TOLERANCE

UNIT:	DECIMAL	LINEAR	ANGLES
mm	X.	±0.50	±5°
	X.X	±0.25	±3°
	X.XX	±0.12	±1°



WWW.ATTEND.COM.TW

DRAWN	Fros	2015/09/08	DRAWN NAME:	M12 A-Code Male Receptacle, 4 Pin, DIP Type, Front Fastened
CHECKED	Zola	2015/09/08	PRODUCT NO.	216A-04MSF
APPROVED	Ken	2015/09/08	FILE NAME	216A-04MSF_B_3
	SCALE	2/1	SHEET	1/1
	SIZE	A4		