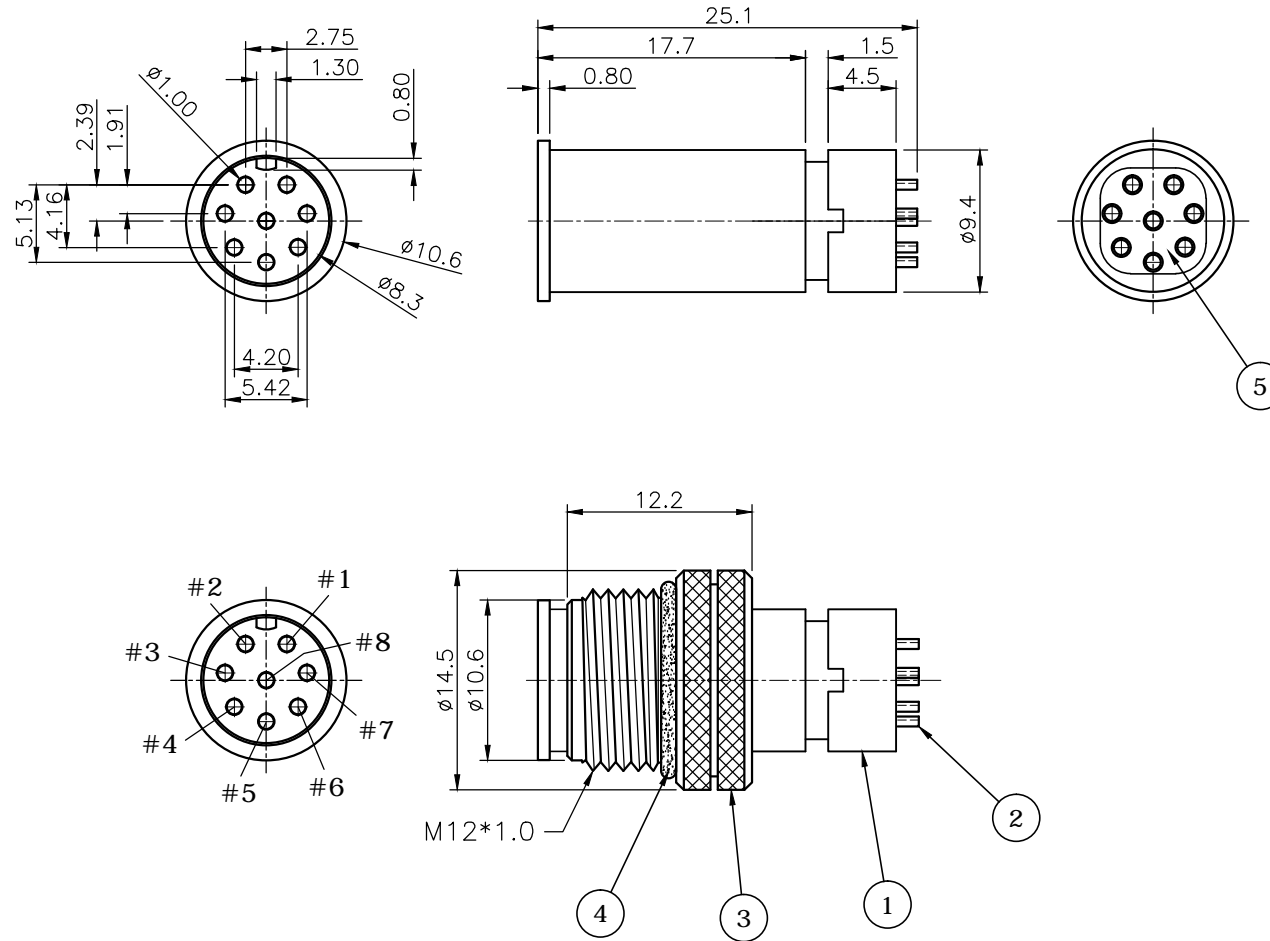


REV.	DESCRIPTION	DRAWN	DATE
1	INITIAL RELEASE	FROS	2016/05/12
2	ECR220421001	TIM	2022/04/21


SPECIFICATION:

1. Current Rating: 2A
2. Voltage Rating: 30V
3. Waterproof: IPX7
4. Operating temperature range: -40°C~+85°C

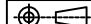


5	EPOXY	EF400A+ EF400B, BLACK
4	O-RING	EPDM, BLACK
3	NUT	BRASS, NICKEL PLATED
2	CONTACT	BRASS, 10u" GOLD PLATED UNDER NICKEL
1	HOUSING	PBT, UL94V-0, BLACK
NO	PART NAME	DESCRIPTION

UNLESS OTHERWISE SPECIFIED TOLERANCE			
UNIT:	DECIMAL	LINEAR	ANGLES
mm	X.	±0.50	±5°
	X.X	±0.25	±3°
	X.XX	±0.12	±1°



WWW.ATTEND.COM.TW

DRAWN	Fros	2016/05/12	DRAWN NAME:
CHECKED	Amy	2016/05/12	M12 A-Code Plug for Cable 8Pin Male For Overmold, 10u"
APPROVED	Ken	2016/05/12	PRODUCT NO. 216A-08MOO
	SCALE 2/1	SHEET 1/1	SIZE A4
FILE NAME		216A-08MOO_B_2	