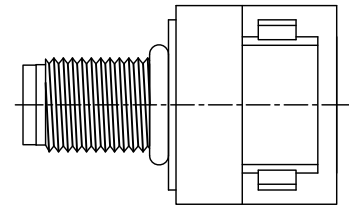
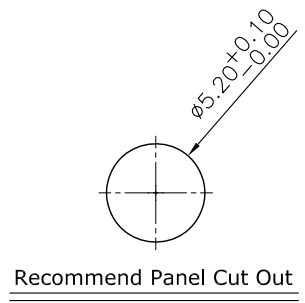
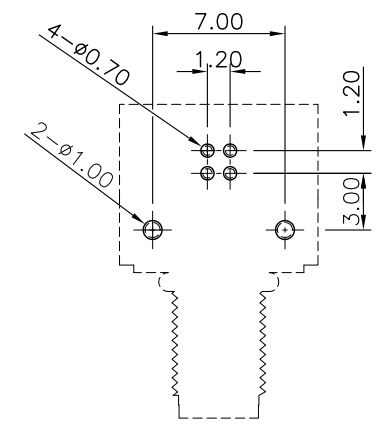
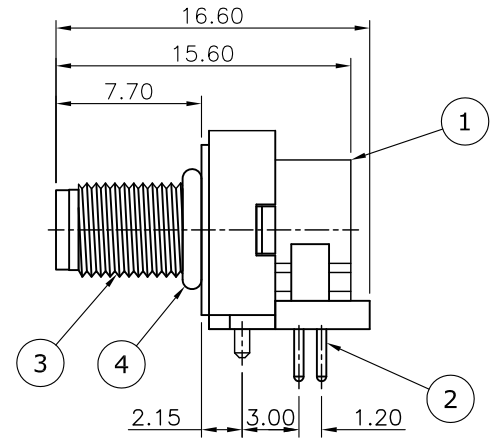
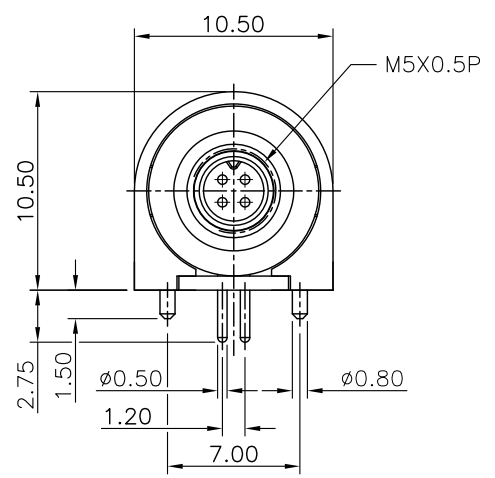


REV.	DESCRIPTION	DRAWN	DATE
1	INITIAL RELEASE	TIM	2016/08/16

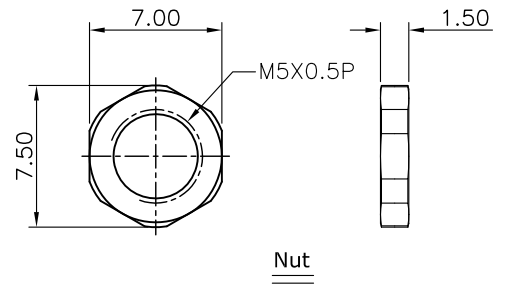


SPECIFICATION:


1. Current Rating: 1A
2. Voltage Rating: 60V
3. Waterproof: IP67
4. Operation Temperature: -20°C TO +85°C



Recommended Layout (top view)
General Tolerance: $\pm 0.1\text{mm}$



5	O-RING	NBR, Black
4	NUT	Brass, Nickel plating
3	SHELL	Brass, Nickel plating
2	CONTACT	Brass, Gold Flash over Nickel plating
1	HOUSING	PBT, UL94V-0, Black

NO.		PART NAME		DESCRIPTION	
UNLESS OTHERWISE SPECIFIED TOLERANCE					
UNIT:	DECIMAL	LINEAR	ANGLES	 WWW.ATTEND.COM.TW	
	X.	± 0.50	$\pm 5^\circ$		
	X.X	± 0.25	$\pm 3^\circ$		
mm	X.XX	± 0.12	$\pm 1^\circ$		
DRAWN	Tim	2016/08/16	DRAWN NAME:		
CHECKED	Fros	2016/08/16	M5 A- Code Receptacle, 4Pin Male Right Angle PCB Type, Front Fastened		
APPROVED	Ken	2016/08/16	PRODUCT NO.	220A-04MRF	
SCALE	SHEET	SIZE	FILE NAME		
2.5/1	1/1	A4	220A-04MRF_B_1		