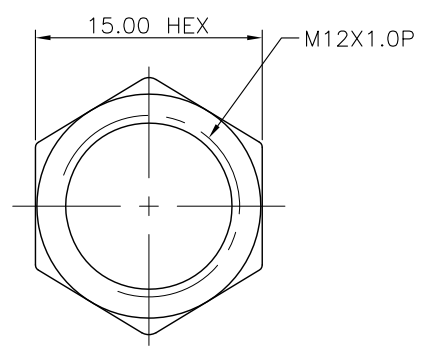
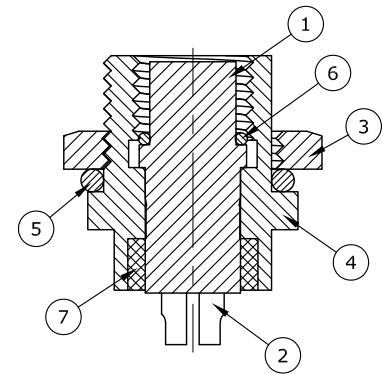
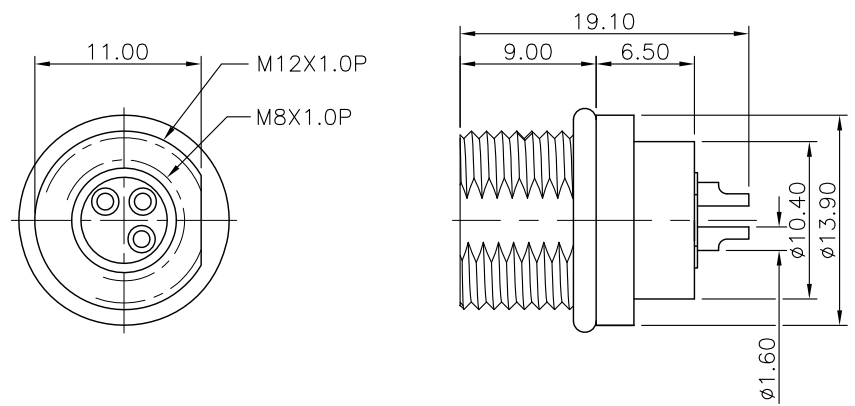


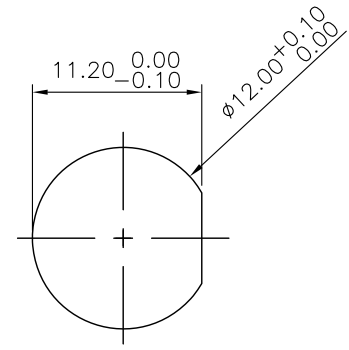
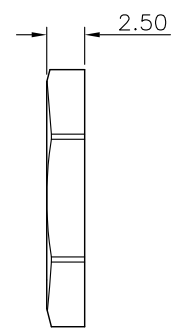
REV.	DESCRIPTION	DRAWN	DATE
1	INITIAL RELEASE	TIM	2016/08/19
2	ECR220421002	Fros	2022/04/21

SPECIFICATION:

1. CURRENT RATING: 3A
2. VOLTAGE: 50VAC/60VDC
3. WATER PROOF: IPX7
4. OPERATION TEMPERATURE: -40°C TO +85°C




NUT



RECOMMEND PANEL CUT OUT

NO	PART NAME	DESCRIPTION
7	EPOXY BASE	
6	O-RING	EPDM, BLACK
5	O-RING	NBR, BLACK
4	SHELL	BRASS, NICKEL PLATED
3	NUT	BRASS, NICKEL PLATED
2	CONTACT	BRONZE, 10u" GOLD PLATED UNDER NICKEL
1	HOUSING	PBT, UL94V-0, BLACK

UNLESS OTHERWISE SPECIFIED TOLERANCE			
UNIT:	DECIMAL	LINEAR	ANGLES
mm	X.	±0.50	±5°
	X.X	±0.25	±3°
	X.XX	±0.12	±1°



WWW.ATTEND.COM.TW

DRAWN	Tim	2016/08/19	DRAWN NAME:	M8 A-Code Receptacle, 3Pin Female Solder Type Front Fastened
CHECKED	Fros	2016/08/19	PRODUCT NO.	219A-03FAF
APPROVED	Ken	2016/08/19	FILE NAME	219A-03FAF_B_2

SCALE	SHEET	SIZE
2/1	1/1	A4