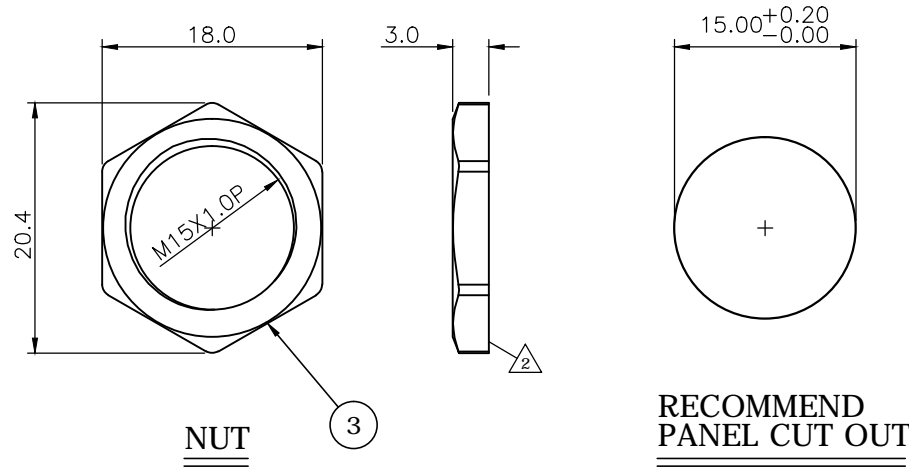
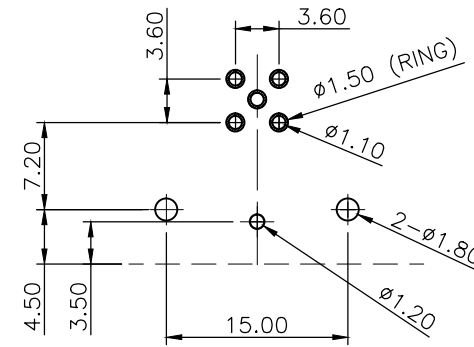
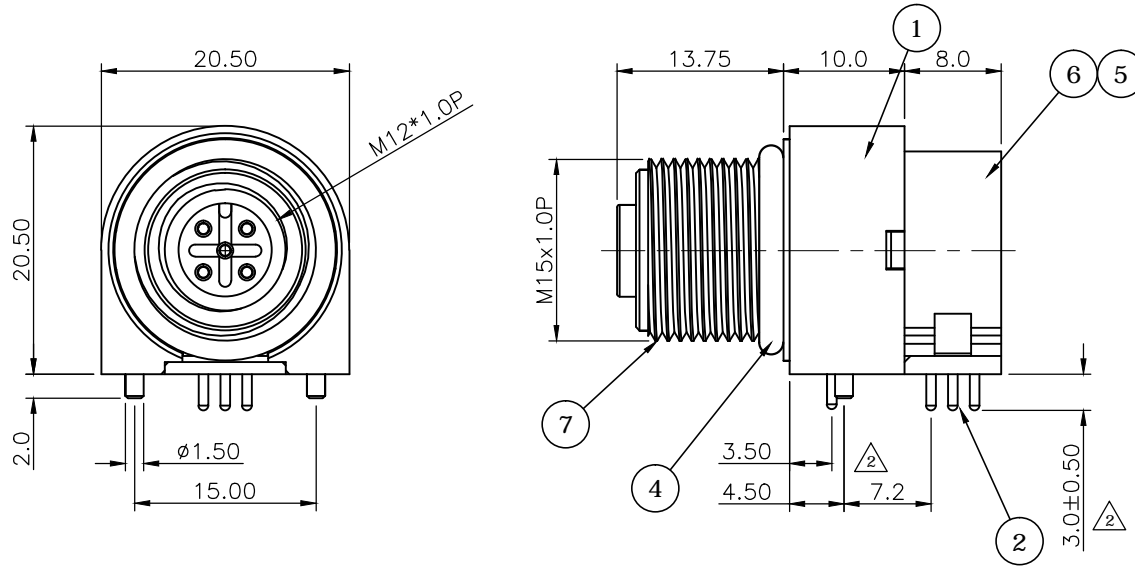


REV.	DESCRIPTION	DRAWN	DATE
1	INITIAL RELEASE	FROS	2017/06/19
2	ECR230320001	TIM	2023/03/20

SPECIFICATION:

1. Current Rating: 4A
2. Voltage Rating: 60V
3. Waterproof: IPX7
4. Operation Temperature: -40°C to +85°C



RECOMMENDED PCB LAYOUT

7	Shell	Brass, Nickel plating
6	Base	PBT UL94V-0, Black
5	Back Housing	PBT UL94V-0, Black
4	O-Ring	NBR, Black
3	Nut	Brass
2	Contact	Brass, Gold Flash under Nickel plating
1	Cover	PBT UL94V-0, Black
NO.	PART NAME	DESCRIPTION

UNLESS OTHERWISE SPECIFIED TOLERANCE

UNIT:	DECIMAL	LINEAR	ANGLES
mm	X.	±0.50	±5°
	X.X	±0.25	±3°
	X.XX	±0.12	±1°



WWW.ATTEND.COM.TW

DRAWN	Fros	2017/06/19	DRAWN NAME:	M12 A-Code Receptacle, 5 Pin Female R/A DIP Type, Front Fastened	
CHECKED	Tim	2017/06/19	PRODUCT NO.	216A-05FRF	
APPROVED	Ken	2017/06/19	FILE NAME	216A-05FRF_B_2	
SCALE	1.6/1	SHEET	1/1	SIZE	A4