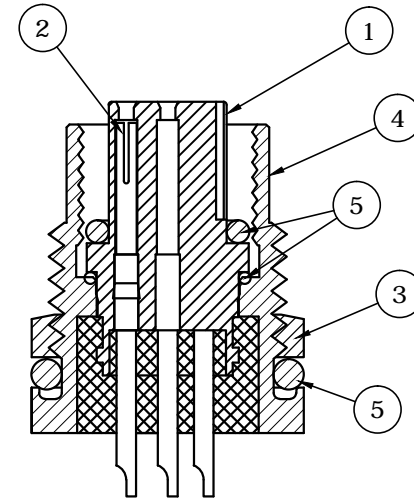
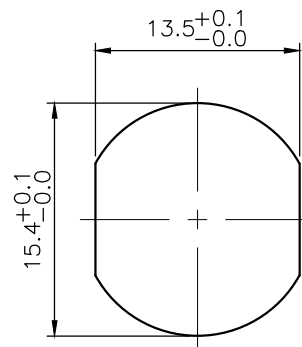
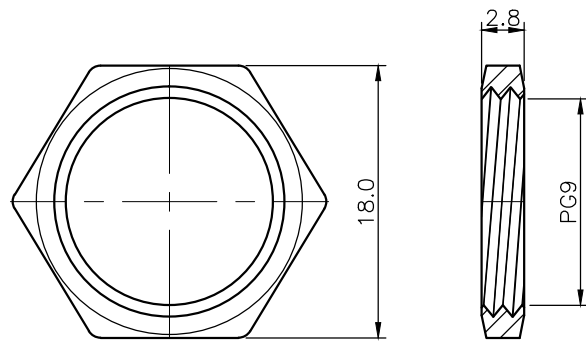
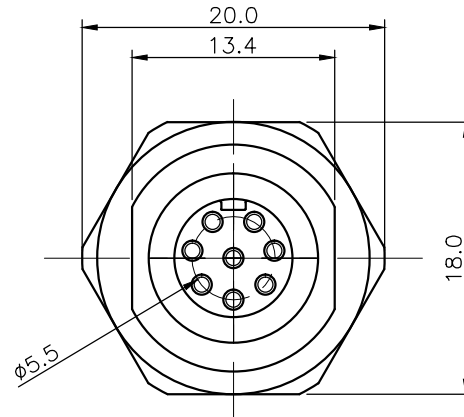
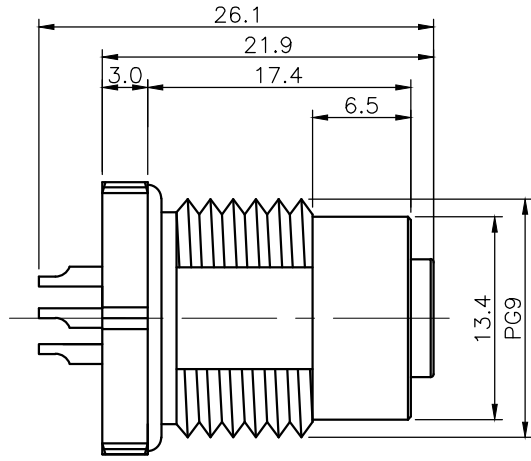


REV.	DESCRIPTION	DRAWN	DATE
1	INITIAL RELEASE	FROS	2015/09/15
2	ECR220421001	TIM	2022/04/21

**SPECIFICATION:**

1. Current Rating: 2A
2. Voltage Rating: 30V
3. Waterproof: IPX7
4. Operating temperature range: -40°C~+85°C



**RECOMMEND PANEL CUT OUT**

5	O-RING	EPDM
4	SHELL	BRASS, NICKEL PLATED
3	NUT	BRASS, NICKEL PLATED
2	CONTACT	BRASS, 10u" GOLD PLATED UNDER NICKEL
1	HOUSING	PBT, UL94V-0, BLACK
NO.	PART NAME	DESCRIPTION

UNLESS OTHERWISE SPECIFIED TOLERANCE

UNIT:	DECIMAL	LINEAR	ANGLES
mm	X.	±0.50	±5°
	X.X	±0.25	±3°
	X.XX	±0.12	±1°



WWW.ATTEND.COM.TW

DRAWN	Fros	2015/09/15	DRAWN NAME:	M12 8P FEMALE, SOLDER TYPE WATERPROOF CONNECTOR	
CHECKED	Zola	2015/09/15	PRODUCT NO.	216A-08FAF	
APPROVED	Ken	2015/09/15	FILE NAME	216A-08FAF_B_2	
SCALE	2/1	SHEET	1/1	SIZE	A4