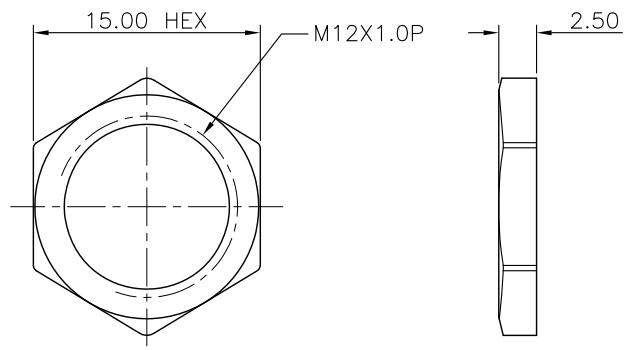


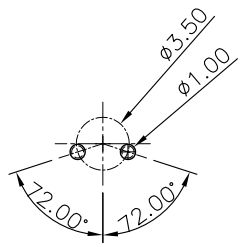
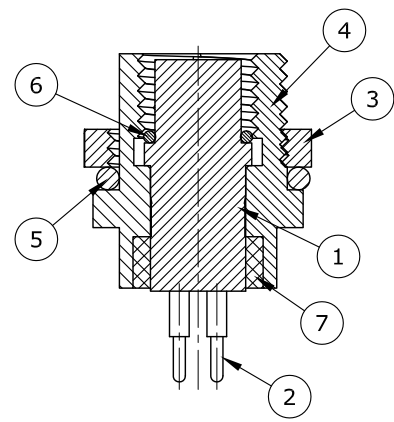
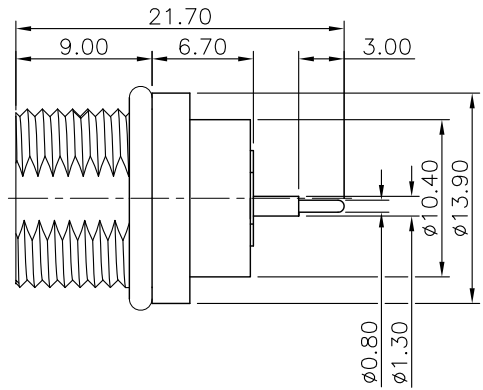
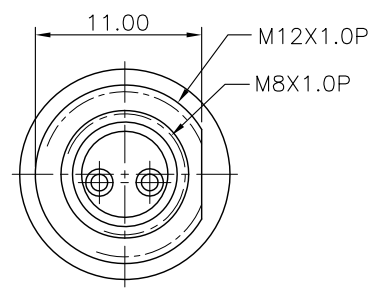
| REV. | DESCRIPTION | DRAWN | DATE |
|------|-----------------|-------|------------|
| 1 | INITIAL RELEASE | TIM | 2016/08/18 |
| 2 | ECR220421001 | Fros | 2022/04/21 |

SPECIFICATION:

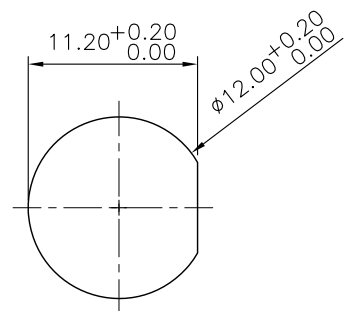
1. CURRENT RATING: 3A
2. VOLTAGE: 50VAC/60VDC
3. WATER PROOF: IPX7
4. OPERATION TEMPERATURE: -40°C TO +85°C



NUT




RECOMMEND PCB LAYOUT



RECOMMEND PANEL CUT OUT

| | | |
|----|------------|--------------------------------------|
| 7 | EPOXY BASE | |
| 6 | O-RING | |
| 5 | O-RING | NBR, BLACK |
| 4 | SHELL | BRASS, NICKEL PLATED |
| 3 | NUT | BRASS, NICKEL PLATED |
| 2 | CONTACT | BRASS, 10u" GOLD PLATED UNDER NICKEL |
| 1 | HOUSING | PBT, UL94V-0, BLACK |
| NO | PART NAME | DESCRIPTION |

| UNLESS OTHERWISE SPECIFIED TOLERANCE | | | |  | |
|--------------------------------------|---------|------------|--|---|--|
| UNIT: | DECIMAL | LINEAR | ANGLES | | |
| mm | X. | ±0.50 | ±5° | WWW.ATTEND.COM.TW | |
| | X.X | ±0.25 | ±3° | | |
| | X.XX | ±0.12 | ±1° | | |
| DRAWN | Tim | 2016/08/18 | DRAWN NAME: | | |
| CHECKED | Fros | 2016/08/18 | M8 A-Code Receptacle, 2Pin | | |
| APPROVED | Ken | 2016/08/18 | Female Straight PCB Type, Front Fastened | | |
| SCALE | SHEET | SIZE | FILE NAME | PRODUCT NO. | |
| 2/1 | 1/1 | A4 | 219A-02FSF_B_2 | 219A-02FSF | |