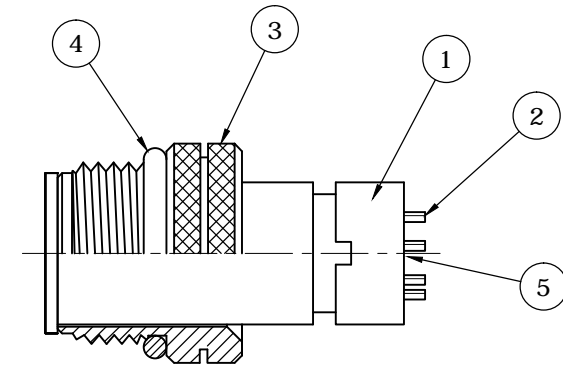
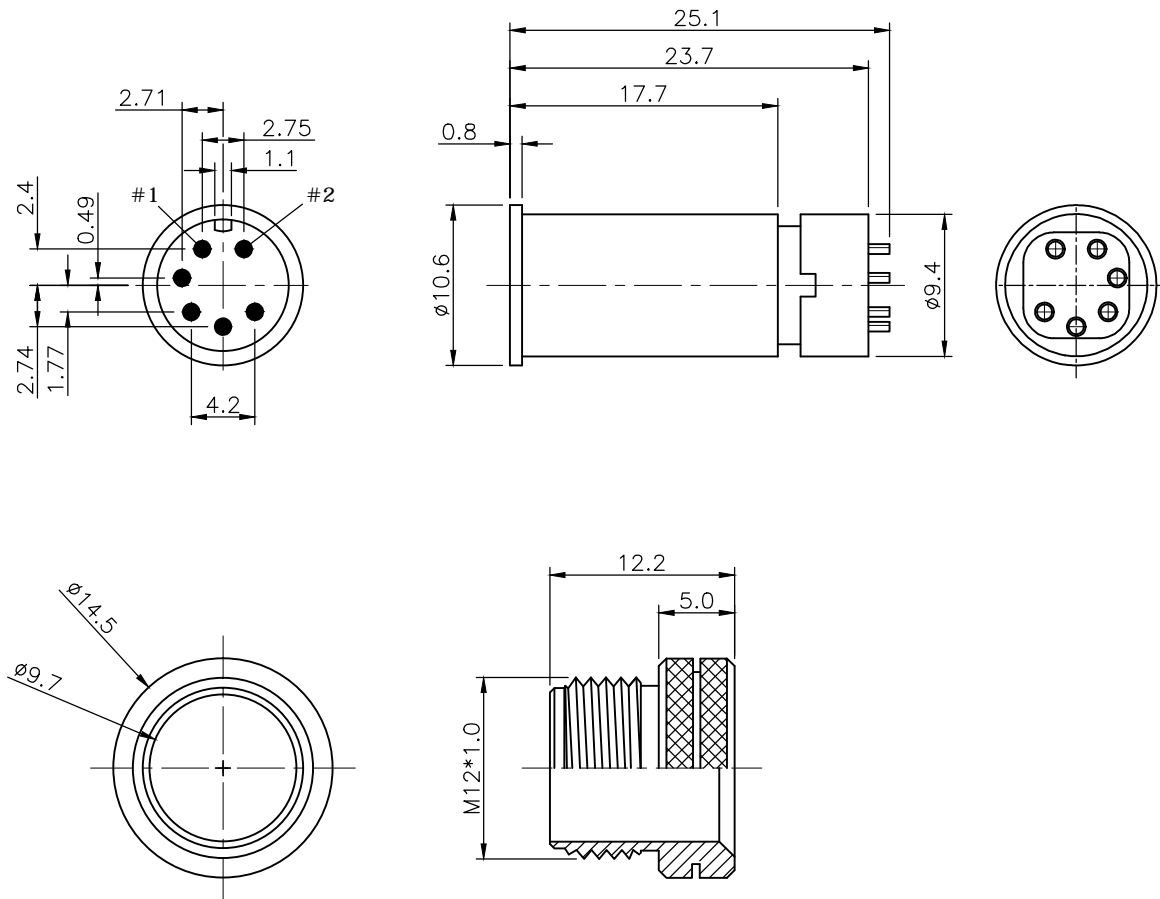


REV.	DESCRIPTION	DRAWN	DATE
1	INITIAL RELEASE	FROS	2018/06/12
2	ECR220421001	TIM	2022/04/21

SPECIFICATION:

1. Current Rating: 2A
2. Voltage Rating: 30V
3. Waterproof: IPX7
4. Operating temperature range: -40°C~+85°C



5	EPOXY	EF400A & EF400B, Black
4	O-RING	EPDM, Black
3	NUT	Brass, Nickel plating
2	CONTACT	Brass, 10u" Gold plating over Nickel
1	HOUSING	PBT, UL94V-0, Black

NO.	PART NAME	DESCRIPTION	
UNLESS OTHERWISE SPECIFIED TOLERANCE			
UNIT:	DECIMAL	LINEAR	ANGLES
	mm	X. ±0.50	X ±5°
		X.X ±0.25	X ±3°
		X.XX ±0.12	X ±1°
WWW.ATTEND.COM.TW			
DRAWN	Fros	2018/06/12	DRAWN NAME: M12 A-Code Plug for Cable, 6 Pin Male For Overmold with Cable
CHECKED	Tim	2018/06/12	
APPROVED	Ken	2018/06/12	
SCALE	2/1	SHEET 1/1	
FILE NAME		216A-06MOO_B_2	

