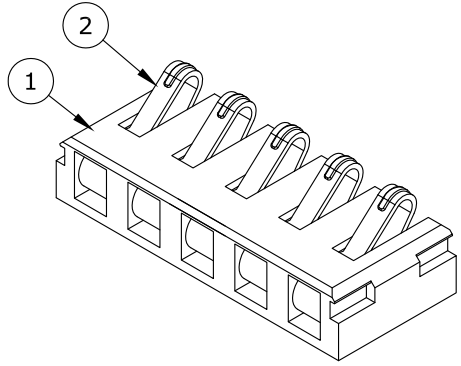
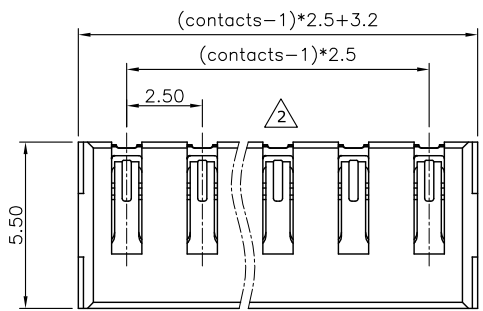
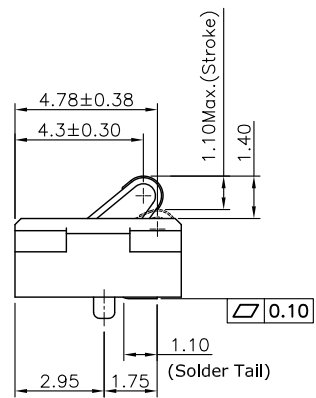
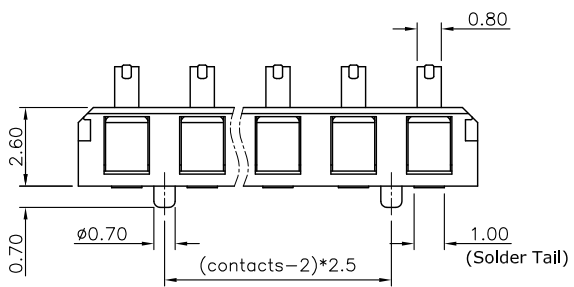


REV.	DESCRIPTION	DRAWN	DATE
1	INITIAL RELEASE	TIM	2020/06/01
2	ECR2100012	Fros	2021/05/14



SPECIFICATION:

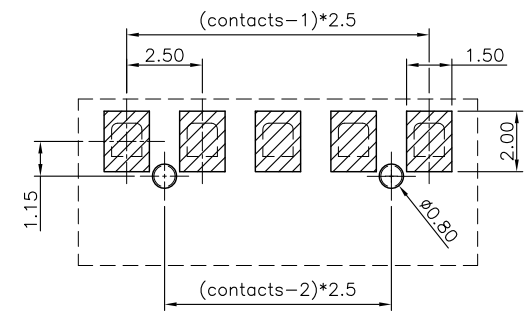
1. ELECTRICAL
 - 1.1 Current Rating: 3A
 - 1.2 Voltage Rating: 12V
 - 1.3 Contact Resistance: 40mΩ Max
 - 1.4 Insulation Resistance: 1000MΩ Min
 - 1.5 Dielectric Withstanding Voltage: 500VAC
2. MECHANICAL
 - 2.1 Normal Force: 200g Min. at Stroke 1.1mm
 - 2.2 Durability: 5,000 cycles
3. ENVIRONMENTAL
 - 3.1 Operating temperature range: -40°C~+105°C
 - 3.2 Storage temperature range: -40°C~+105°C
4. SOLDER ABILITY
 - 4.1 Recommended IR-Reflow Temperature: 260°C



How to order:

304D- 2625 XX
1

1 pin count: xx= 03~06
(Please contact with sales for the pins count available)



RECOMMENDED LAYOUT (TOP VIEW)
GENERAL TOLERANCE: ±0.05mm

2	Contact	Copper Alloy, Contact area: 5u"Gold plating over Nickel Solder Tail: G/F plating over Nickel	
1	Housing	Thermoplastic, UL 94V-0, Black	
NO	PART NAME	DESCRIPTION	
UNLESS OTHERWISE SPECIFIED TOLERANCE			
UNIT:	DECIMAL	LINEAR	ANGLES
mm	X.	±0.50	±5°
	X.X	±0.25	±3°
	X.XX	±0.12	±1°
DRAWN		Tim	2020/06/01
CHECKED		Fros	2020/06/01
APPROVED		Ken	2020/06/01
SCALE		4/1	SHEET 1/1
SIZE		A4	FILE NAME
DRAWN NAME:		Battery Connector, Vertical, SMT Pitch 2.5, H=2.6, XXPin, 5u", Reel	
PRODUCT NO.		304D-2625XX	
FILE NAME		304D-2625XX_B_2	



www.attend.com.tw