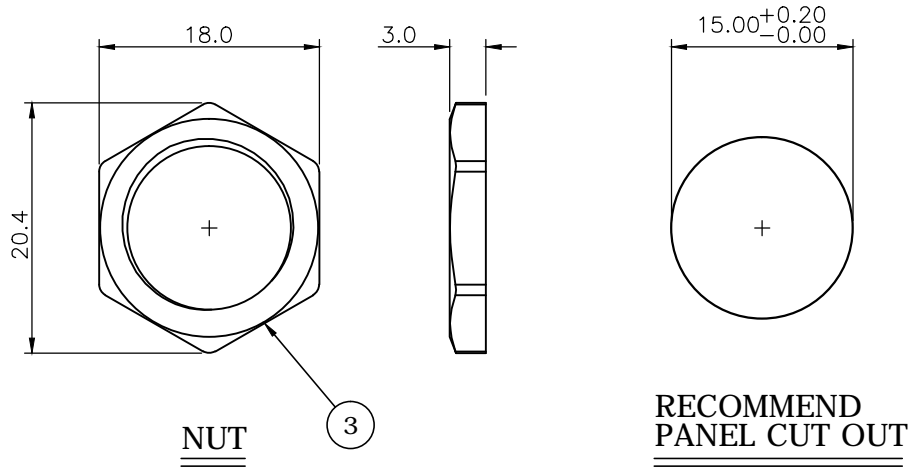
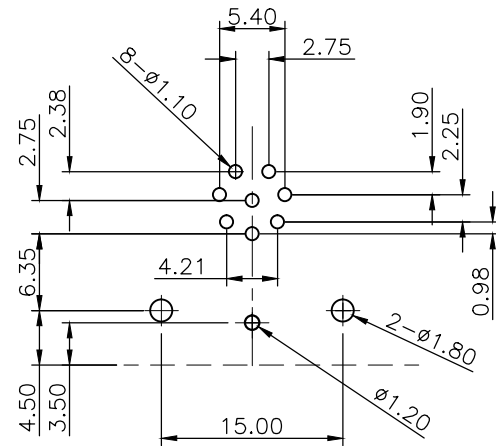
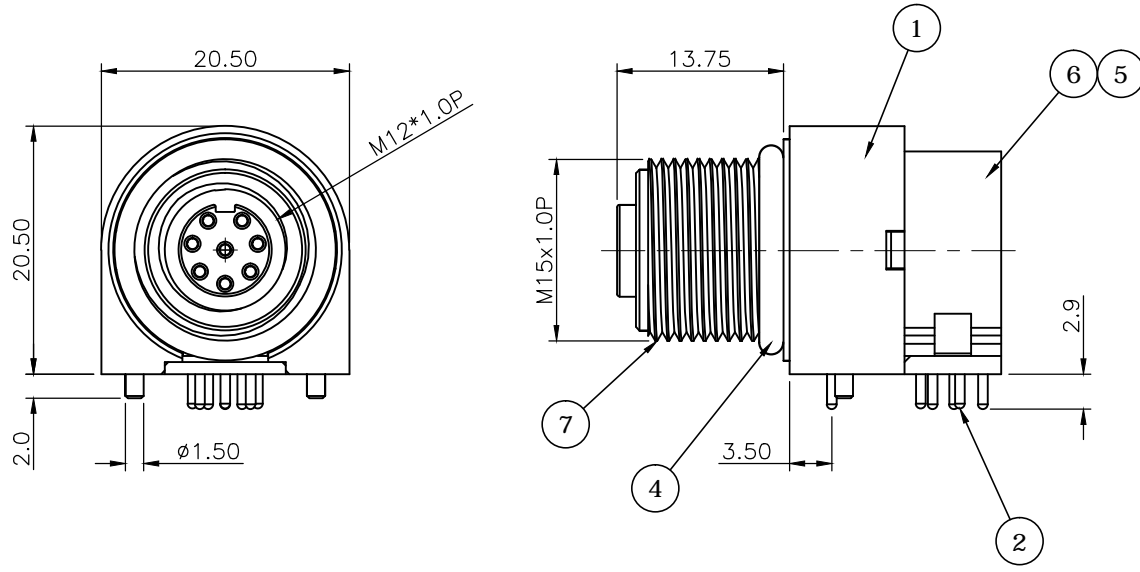


REV.	DESCRIPTION	DRAWN	DATE
1	INITIAL RELEASE	FROS	2016/03/07
2	ECR220421001	TIM	2022/04/21

**SPECIFICATION:**

1. Current Rating: 2A
2. Voltage Rating: 30V
3. Waterproof: IPX7
4. Operating temperature range: -40°C~+85°C



**RECOMMENDED PCB LAYOUT**

7	Shell	Brass, Nickel plating
6	Base	PBT UL94V-0, Black
5	Back Housing	PBT UL94V-0, Black
4	O-Ring	NBR, Black
3	Nut	Brass
2	Contact	Brass, Gold Flash under Nickel plating
1	Cover	PBT UL94V-0, Black
NO.	PART NAME	DESCRIPTION

UNLESS OTHERWISE SPECIFIED TOLERANCE			
UNIT:	DECIMAL	LINEAR	ANGLES
mm	X.	±0.50	±5°
	X.X	±0.25	±3°
	X.XX	±0.12	±1°



WWW.ATTEND.COM.TW

DRAWN	Fros	2016/03/07	DRAWN NAME:	M12 A-Code Receptacle, 8 Pin Female R/A DIP Type, Front Fastened	
CHECKED	Amy	2016/03/07	PRODUCT NO.	216A-08FRF	
APPROVED	Ken	2016/03/07	FILE NAME	216A-08FRF_B_2	
SCALE	1.6/1	SHEET	1/1	SIZE	A4