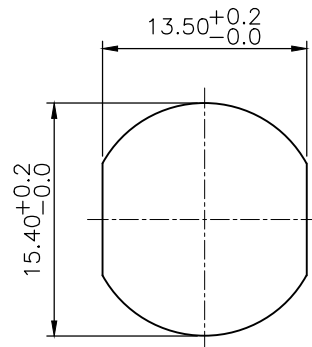


RECOMMEND LAYOUT

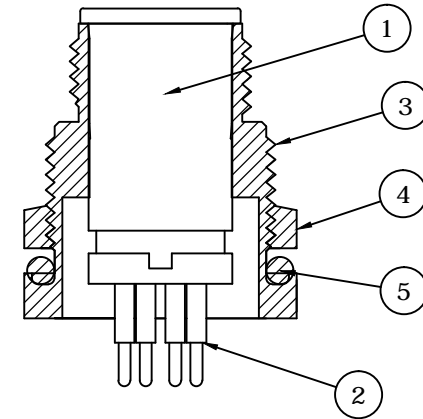


RECOMMEND PANEL CUT-OUT

REV.	DESCRIPTION	DRAWN	DATE
1	INITIAL RELEASE	FROS	2017/06/07
2	ECR220421001	TIM	2022/04/21

NOTES:

- 1 Rated current: 1.5A
- 2 Rated voltage: 30V
- 3 Waterproof: IPX7
- 4 Operation temperature: -40°C to +85°C



5	ORING	EPDM	
4	NUT	Brass, Nickel plating	
3	SHELL	Brass, Nickel plating	
2	CONTACT	Brass, 10u" Gold plating over Nickel	
1	HOUSING	PBT, UL94V-0, Black	
NO.	PART NAME	DESCRIPTION	
UNLESS OTHERWISE SPECIFIED TOLERANCE			
UNIT:	DECIMAL	LINEAR	ANGLES
mm	X.	±0.50	±5°
	X.X	±0.25	±3°
	X.XX	±0.12	±1°
DRAWN		Fros	2017/06/07
CHECKED		Tim	2017/06/07
APPROVED		Ken	2017/06/07
SCALE		2.5	SHEET 1/1
SIZE		A4	
DRAWN NAME:		M12 A- Code Receptacle	
PRODUCT NO.		216A-10MSF	
FILE NAME		216A-10MSF_B_2	



WWW.ATTEND.COM.TW

M12 A- Code Receptacle
10Pin Male DIP Front Fastened