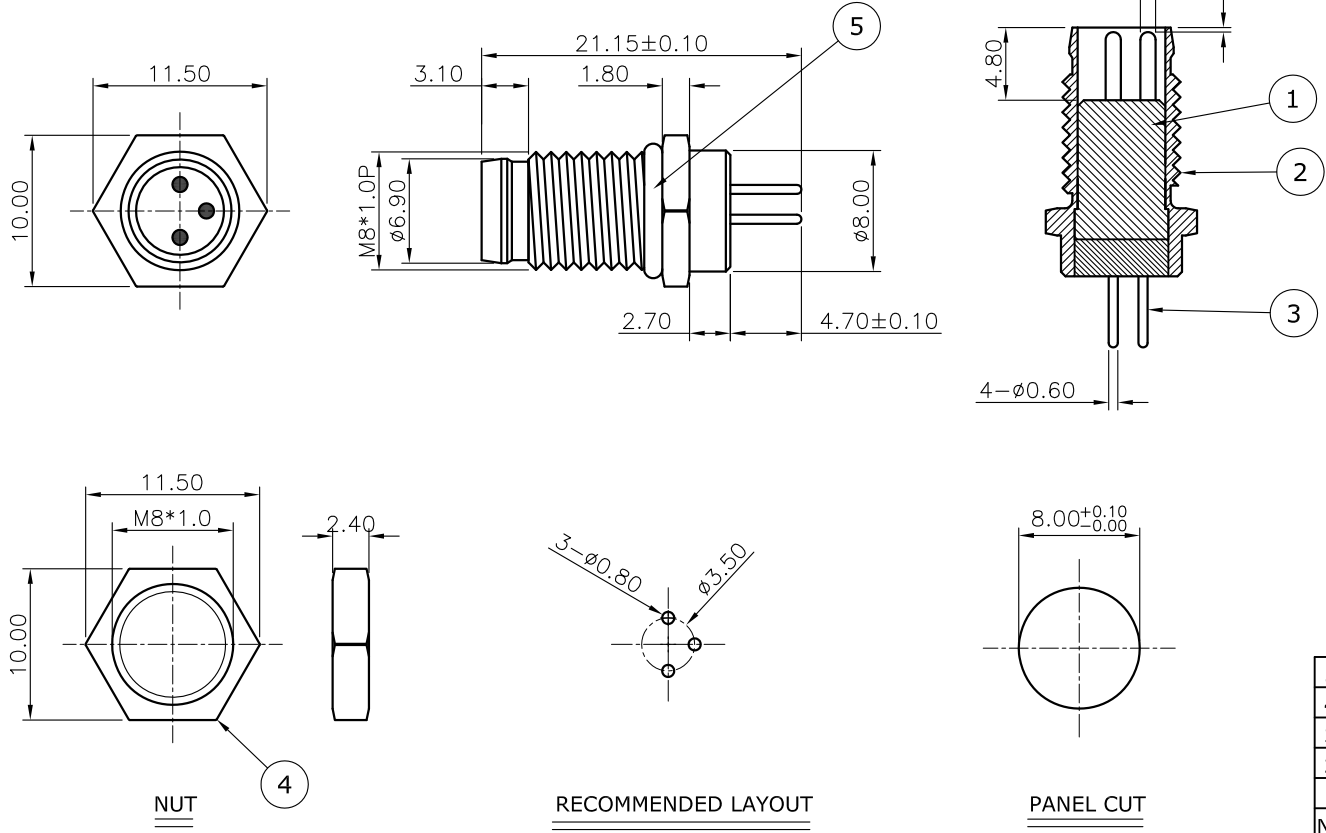



REV.	DESCRIPTION	DRAWN	DATE
1	INITIAL RELEASE	FROS	2018/12/11
2	ECR220421002	Fros	2022/04/21

**SPECIFICATION:**

1. CURRENT RATING: 3A
2. VOLTAGE: 50VAC/60VDC
3. WATER PROOF: IPX7
4. OPERATION TEMPERATURE: -40°C TO +85°C



5	ORING	NBR
4	NUT	Brass, Nickel plating
3	SHELL	Brass, Nickel plating
2	CONTACT	Brass, Gold Flash under Nickel
1	HOUSING	PBT, UL94V-0, Black
NO.	PART NAME	DESCRIPTION

UNLESS OTHERWISE SPECIFIED TOLERANCE					
UNIT:	DECIMAL	LINEAR	ANGLES		
mm	X.	±0.50	±5°	www.attend.com.tw	
	X.X	±0.25	±3°		
	X.XX	±0.12	±1°		
DRAWN	Fros	2018/12/11	DRAWN NAME:		
CHECKED	Tim	2018/12/11	M8 A- Code Receptacle, 3Pin Male Straight PCB Type, Front Fastened		
APPROVED	Ken	2018/12/11	PRODUCT NO.	219A-03MSF	
⊕	SCALE 2/1	SHEET 1/1	SIZE A4	FILE NAME	219A-03MSF_B_2