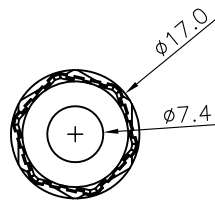
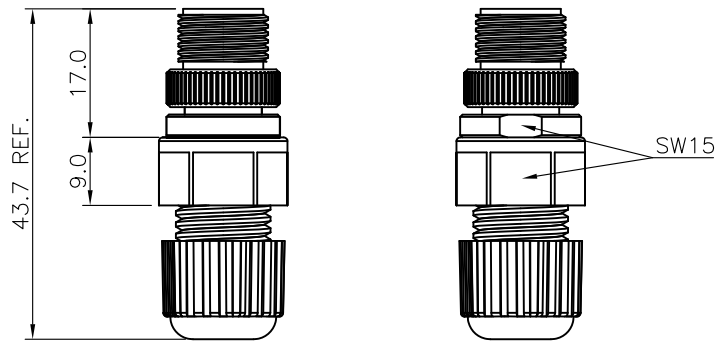
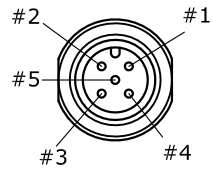


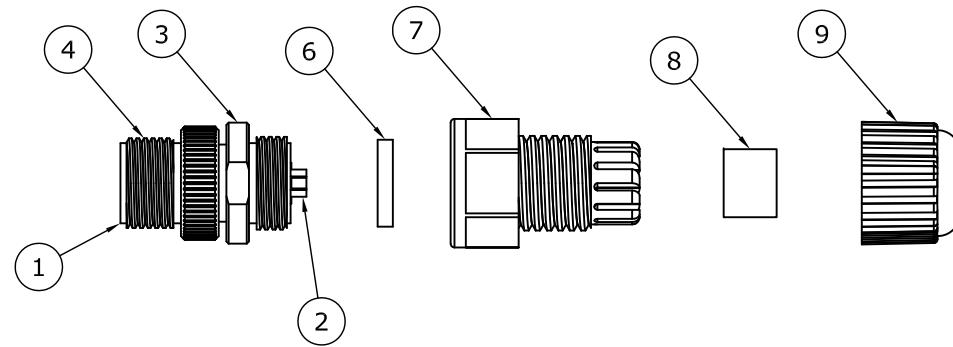
REV.	DESCRIPTION	DRAWN	DATE
1	INITIAL RELEASE	FROS	2023/10/23

**SPECIFICATION:**

1. Current Rating: 4A
2. Voltage Rating: 60V
3. Waterproof: IPX7 or IP67
4. Operating temperature range: -40°C~+85°C



Recommend cable OD=5.0~6.8mm



9	SEALING NUT	PA66
8	SEAL	Silicone, gray
7	CLAMP RING	PA66
6	GASKET	Silicone, gray
5	EPOXY	black
4	NUT	Aluminum alloy, sating nickel plated
3	SHELL	Brass, nickel plated
2	CONTACT	Brass, gold flash plating over Nickel
1	HOUSING	PBT, UL94V-0, Black

NO.	PART NAME	DESCRIPTION	
UNLESS OTHERWISE SPECIFIED TOLERANCE			
UNIT:	DECIMAL	LINEAR	ANGLES
mm	X.	±0.50	±5°
	X.X	±0.25	±3°
	X.XX	±0.12	±1°
www.attend.com.tw			
DRAWN	Fros	2023/10/23	DRAWN NAME:
CHECKED	Tim	2023/10/23	M12 A- Code Plug for Cable, 5 Pin Male For Field Installable, Plastic, G/F
APPROVED	Ken	2023/10/23	PRODUCT NO. 216A-05MF1
SCALE 1/1	SHEET 1/1	SIZE A4	FILE NAME 216A-05MF1_B_1

