

SMD Power Inductor

CDRH104



Description

- Magnetically shielded construction
- LxWxH: 10.1 x 9.2 x 5.0mm Max.
- Inductance range: 10~470 μ H
- Rated current range: 0.36~2.4A
- Customized inductor is available



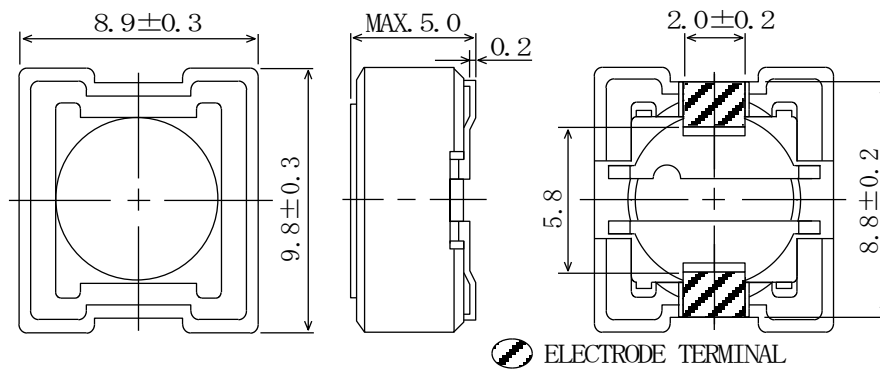
Environmental Data

- Operating temperature range: -40°C ~ +100°C (including coil's self-temperature rise)
- Storage temperature range: -40°C ~ +100°C

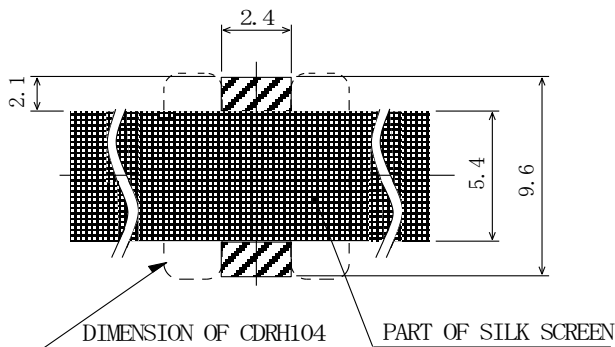
Applications

- Ideally used in notebook PC, LCD TV, DVD, game machine, STB, projector etc. as DC-DC converter inductors

Dimension - [mm]

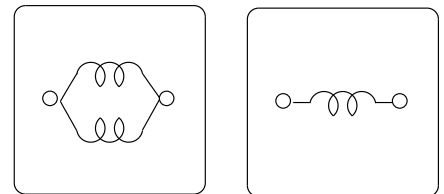


Recommended Land pattern - [mm]



No vias and traces in the restricted area underneath the coil

Wire Connection



10 μ H ~ 39 μ H

47 μ H ~ 470 μ H

Note: This specification is subject to change without notice. Please contact your nearest sales office for updated information when placing an order.

SMD Power Inductor

CDRH104

Electrical Characteristics

Part Name	Stamp	Inductance (μh) [within]	D.C.R.(Ω) Max.(Typ.) (at20°C)	Rated Current(A) ※1
CDRH104NP-100MC	100	10 ± 20%	50m (37m)	2.40
CDRH104NP-120MC	120	12 ± 20%	54m (40m)	2.25
CDRH104NP-150MC	150	15 ± 20%	61m (45m)	2.00
CDRH104NP-180MC	180	18 ± 20%	84m (63m)	1.80
CDRH104NP-220MC	220	22 ± 20%	94m (69m)	1.65
CDRH104NP-270MC	270	27 ± 20%	0.11 (82m)	1.45
CDRH104NP-330MC	330	33 ± 20%	0.15 (0.11)	1.35
CDRH104NP-390MC	390	39 ± 20%	0.17 (0.13)	1.20
CDRH104NP-470MC	470	47 ± 20%	0.21 (0.15)	1.10
CDRH104NP-560MC	560	56 ± 20%	0.23 (0.17)	1.00
CDRH104NP-680MC	680	68 ± 20%	0.26 (0.20)	0.93
CDRH104NP-820MC	820	82 ± 20%	0.36 (0.27)	0.84
CDRH104NP-101MC	101	100 ± 20%	0.41 (0.30)	0.76
CDRH104NP-121MC	121	120 ± 20%	0.45 (0.34)	0.70
CDRH104NP-151MC	151	150 ± 20%	0.64 (0.47)	0.63
CDRH104NP-181MC	181	180 ± 20%	0.84 (0.62)	0.57
CDRH104NP-221MC	221	220 ± 20%	0.96 (0.71)	0.52
CDRH104NP-271MC	271	270 ± 20%	1.07 (0.79)	0.47
CDRH104NP-331MC	331	330 ± 20%	1.37 (1.05)	0.43
CDRH104NP-391MC	391	390 ± 20%	1.55 (1.19)	0.39
CDRH104NP-471MC	471	470 ± 20%	1.74 (1.34)	0.36

※1. Rated current: The DC current at which the inductance decreases to 75% of its nominal value or when $\Delta t=40^{\circ}\text{C}$, whichever is lower ($T_a=20^{\circ}\text{C}$).



For sales office information, please [click here](#) to visit our website.

Note: This specification is subject to change without notice. Please contact your nearest sales office for updated information when placing an order.