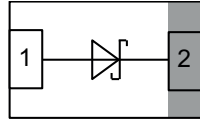


Small Signal Schottky Diode with T_J max. = 175 °C



LINKS TO ADDITIONAL RESOURCES



MECHANICAL DATA

Case: DFN1006-2A

Weight: 0.83 mg

Molding compound flammability rating: UL 94 V-0

Terminals: high temperature soldering guaranteed:
Peak temperature max. 260 °C

Packaging codes/options:

08/10K per 7" reel (8 mm tape)

FEATURES

- T_J max. = 175 °C, rated for high temperature, mission critical applications
- This device is protected by a PN junction guard ring against excessive voltage, such as electrostatic discharges
- Leadless ultra small DFN1006-2A package (1 mm × 0.6 mm × 0.45 mm)
- Power dissipation better than SOT-23
- Surface-mounted device (SMD) plastic package with visible and sidewall plated / wettable flanks
- Soldering can be checked by standard visual inspection. No X-ray inspection necessary to meet automotive AOI requirements
- AEC-Q101 qualified available
- Material categorization: for definitions of compliance please see www.vishay.com/doc?99912



PARTS TABLE					
PART	ORDERING CODE	AEC-Q101 QUALIFIED	CIRCUIT CONFIGURATION	TYPE MARKING	REMARKS
BAS40LTH	BAS40LTH-G3-08	no	Single	GE	Tape and reel
	BAS40LTH-HG3-08	yes			

ABSOLUTE MAXIMUM RATINGS ($T_{amb} = 25\text{ °C}$, unless otherwise specified)				
PARAMETER	TEST CONDITION	SYMBOL	VALUE	UNIT
Reverse voltage		V_R	40	V
Forward current	on FR-4 board with recommended soldering footprint	I_F	200	mA
Non-repetitive peak forward current	$T_J = 25\text{ °C}$, $t_p = 10\text{ ms}$	I_{FSM}	500	mA
	$T_J = 100\text{ °C}$, $t_p = 10\text{ ms}$		200	
	$T_J = 125\text{ °C}$, $t_p = 20\text{ }\mu\text{s}$		500	
Power dissipation	on FR-4 board with recommended soldering footprint	P_{tot}	350	mW
	$R_{thJL} = 100\text{ K/W}$		1500	mW

THERMAL CHARACTERISTICS ($T_{amb} = 25\text{ °C}$, unless otherwise specified)				
PARAMETER	TEST CONDITION	SYMBOL	VALUE	UNIT
Thermal resistance junction to ambient air	according to JEDEC® 51-3 on FR-4 board with recommended soldering footprint	R_{thJA}	420	K/W
Thermal resistance junction to lead		R_{thJL}	100	K/W
Maximum junction temperature		T_{Jmax}	175	°C
Storage temperature range		T_{stg}	-55 to +175	°C
Operating temperature range		T_{op}	-55 to +175	°C



ELECTRICAL CHARACTERISTICS ($T_{amb} = 25\text{ }^{\circ}\text{C}$, unless otherwise specified)						
PARAMETER	TEST CONDITION	SYMBOL	MIN.	TYP.	MAX.	UNIT
Leakage current	$V_R = 40\text{ V}, T_J = 25\text{ }^{\circ}\text{C}$	I_R			10	μA
	$V_R = 30\text{ V}, T_J = 150\text{ }^{\circ}\text{C}$				200	μA
	$V_R = 40\text{ V}, T_J = 150\text{ }^{\circ}\text{C}$				500	μA
Forward voltage	$I_F = 1\text{ mA}$	V_F			400	mV
	$I_F = 10\text{ mA}$				560	mV
	$I_F = 40\text{ mA}$				1000	mV
Diode capacitance	$V_R = 0\text{ V}, f = 1\text{ MHz}$	C_D		2.9		pF

TYPICAL CHARACTERISTICS ($T_{amb} = 25\text{ }^{\circ}\text{C}$, unless otherwise specified)

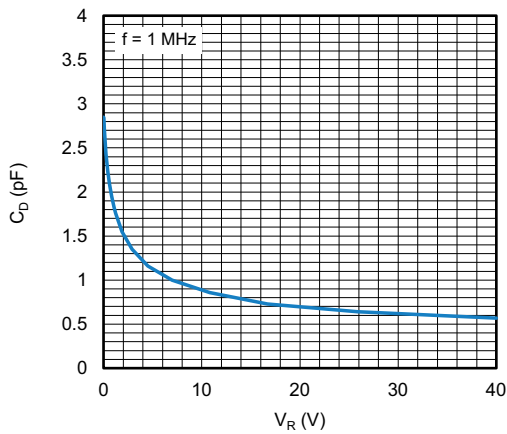


Fig. 1 - Typical Capacitance vs. Reverse Voltage

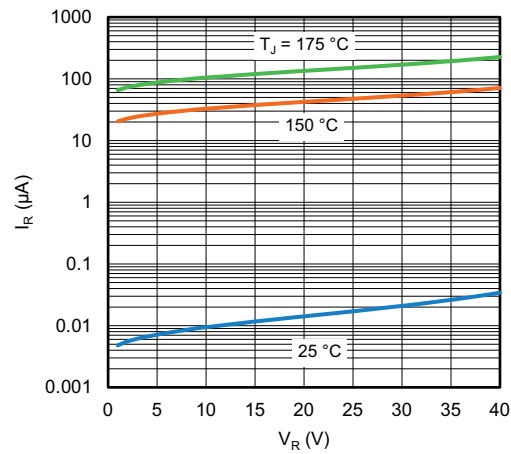


Fig. 3 - Typical Reverse Leakage Current vs. Reverse Voltage

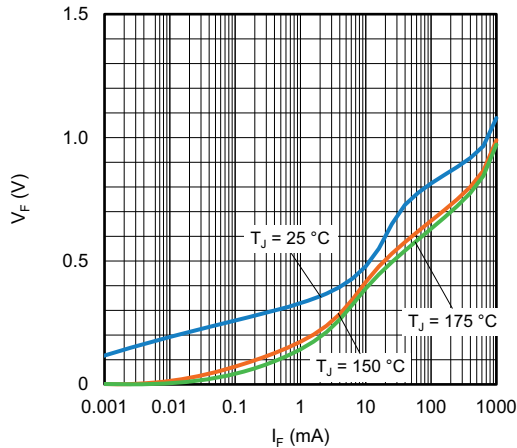
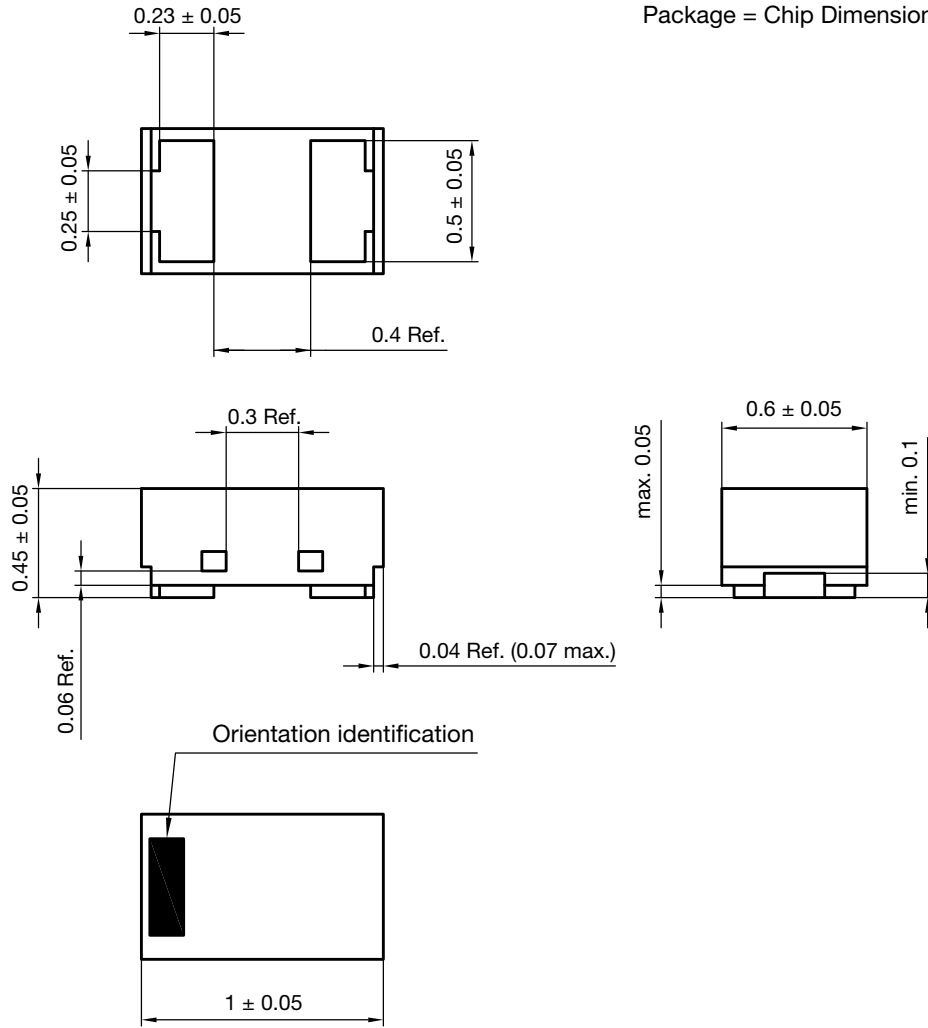


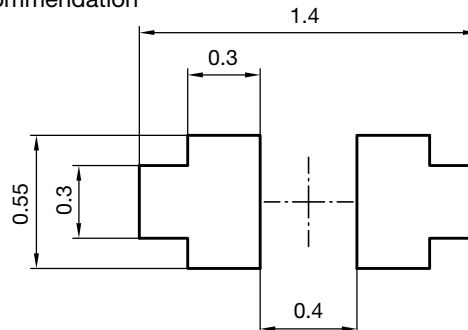
Fig. 2 - Typical Forward Voltage vs. Forward Current

PACKAGE DIMENSIONS in millimeters: **DFN1006-2A**

Package = Chip Dimension in mm



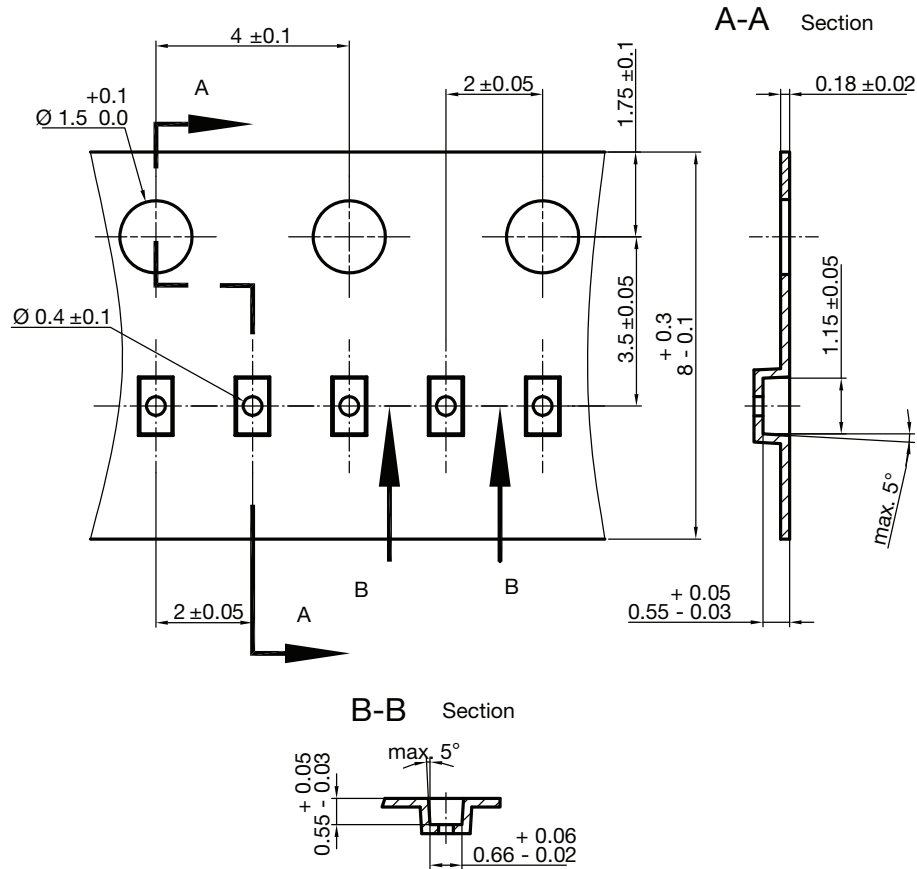
Footprint recommendation



Document no.: S8-V-3906.04-059 (4)
 Created - Date: 11-Jul-2018
 Rev.5 - Date: 17-Sep-2021

23191

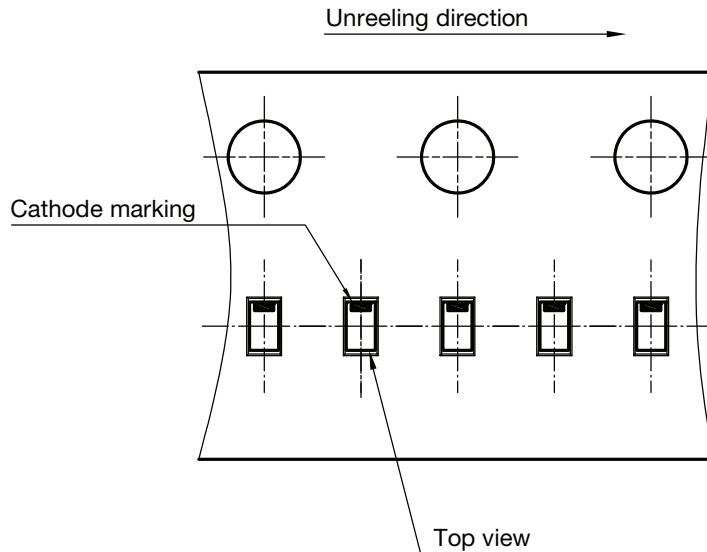
CARRIER TAPE DFN1006-2A



surface resistance: $10^5 - 10^{11} \frac{\text{OHMS}}{\text{SQ}}$
 Cumulative tolerances of 10 sprocket holes is ± 0.2 mm

S8-V-3906.04-063 (4)
 created 28.10.2019

ORIENTATION IN CARRIER TAPE DFN1006-2A



S8-V-3906.04-064 (4)
 created 28.10.2019



Disclaimer

ALL PRODUCT, PRODUCT SPECIFICATIONS AND DATA ARE SUBJECT TO CHANGE WITHOUT NOTICE TO IMPROVE RELIABILITY, FUNCTION OR DESIGN OR OTHERWISE.

Vishay Intertechnology, Inc., its affiliates, agents, and employees, and all persons acting on its or their behalf (collectively, "Vishay"), disclaim any and all liability for any errors, inaccuracies or incompleteness contained in any datasheet or in any other disclosure relating to any product.

Vishay makes no warranty, representation or guarantee regarding the suitability of the products for any particular purpose or the continuing production of any product. To the maximum extent permitted by applicable law, Vishay disclaims (i) any and all liability arising out of the application or use of any product, (ii) any and all liability, including without limitation special, consequential or incidental damages, and (iii) any and all implied warranties, including warranties of fitness for particular purpose, non-infringement and merchantability.

Statements regarding the suitability of products for certain types of applications are based on Vishay's knowledge of typical requirements that are often placed on Vishay products in generic applications. Such statements are not binding statements about the suitability of products for a particular application. It is the customer's responsibility to validate that a particular product with the properties described in the product specification is suitable for use in a particular application. Parameters provided in datasheets and / or specifications may vary in different applications and performance may vary over time. All operating parameters, including typical parameters, must be validated for each customer application by the customer's technical experts. Product specifications do not expand or otherwise modify Vishay's terms and conditions of purchase, including but not limited to the warranty expressed therein.

Hyperlinks included in this datasheet may direct users to third-party websites. These links are provided as a convenience and for informational purposes only. Inclusion of these hyperlinks does not constitute an endorsement or an approval by Vishay of any of the products, services or opinions of the corporation, organization or individual associated with the third-party website. Vishay disclaims any and all liability and bears no responsibility for the accuracy, legality or content of the third-party website or for that of subsequent links.

Except as expressly indicated in writing, Vishay products are not designed for use in medical, life-saving, or life-sustaining applications or for any other application in which the failure of the Vishay product could result in personal injury or death. Customers using or selling Vishay products not expressly indicated for use in such applications do so at their own risk. Please contact authorized Vishay personnel to obtain written terms and conditions regarding products designed for such applications.

No license, express or implied, by estoppel or otherwise, to any intellectual property rights is granted by this document or by any conduct of Vishay. Product names and markings noted herein may be trademarks of their respective owners.