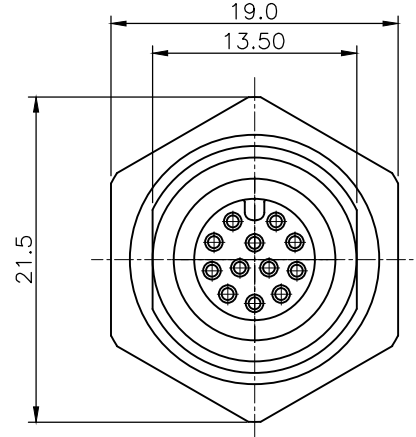
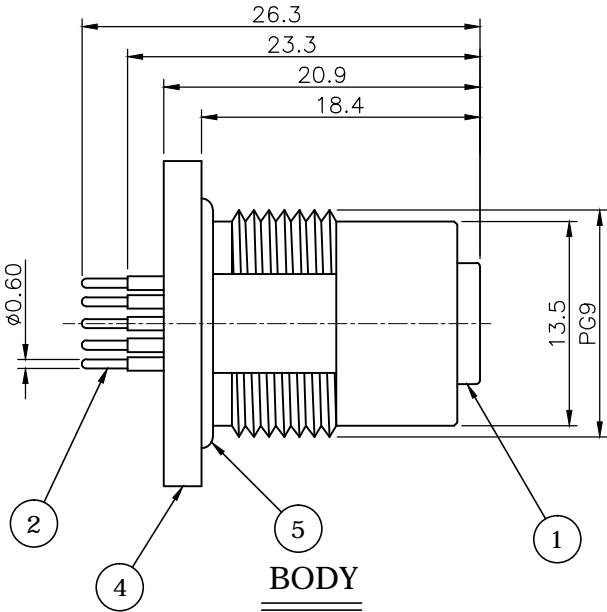
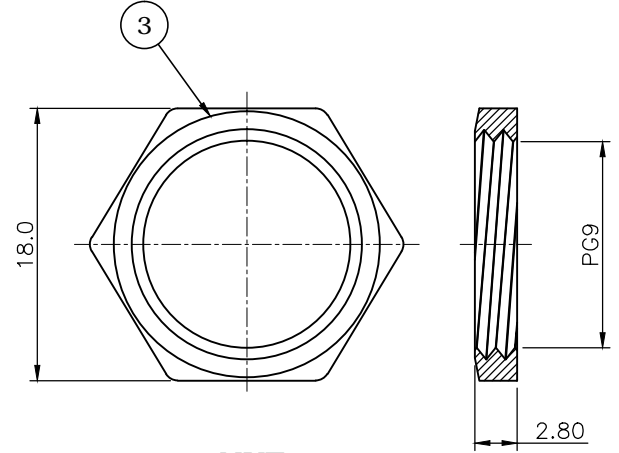


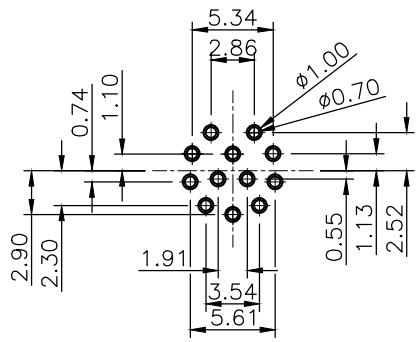
REV.	DESCRIPTION	DRAWN	DATE
1	INITIAL RELEASE	FROS	2015/09/18
2	ECR1700027	TIM	2017/10/26
3	ECR220421001	TIM	2022/04/21



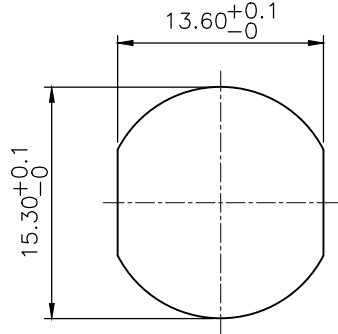
- SPECIFICATION:**
- CURRENT RATING: 1.5A
 - VOLTAGE: 30V
 - WATER PROOF: IPX7
 - OPERATION TEMPERATURE: -40°C TO +85°C



NUT



RECOMMENDED LAYOUT



RECOMMENDED PANEL CUT OUT

5	O-RING	EPDM, BLACK
4	SHELL	BRASS, NICKEL PLATED
3	NUT	BRASS, NICKEL PLATED
2	CONTACT	BRASS, 10u" GOLD PLATED UNDER NICKEL
1	HOUSING	PBT, UL94V-0, BLACK
NO	PART NAME	DESCRIPTION

UNLESS OTHERWISE SPECIFIED TOLERANCE			
UNIT:	DECIMAL	LINEAR	ANGLES
mm	X.	±0.50	±5°
	X.X	±0.25	±3°
	X.XX	±0.12	±1°



WWW.ATTEND.COM.TW

DRAWN	Fros	2015/09/18	DRAWN NAME:	M12 A-Code Water Proof Connector, 12Pin Female Straight PCB Type, Front Fastened	
CHECKED	Zola	2015/09/18	PRODUCT NO.	216A-12FSF	
APPROVED	Ken	2015/09/18	FILE NAME	216A-12FSF_B_3	
SCALE	2/1	SHEET	1/1	SIZE	A4