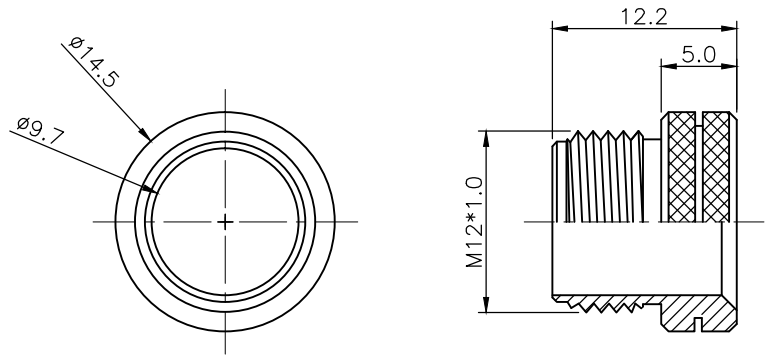
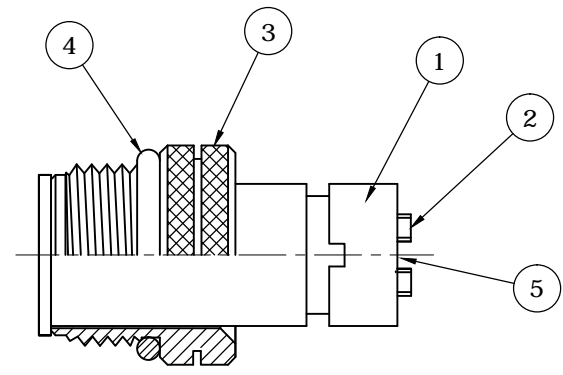
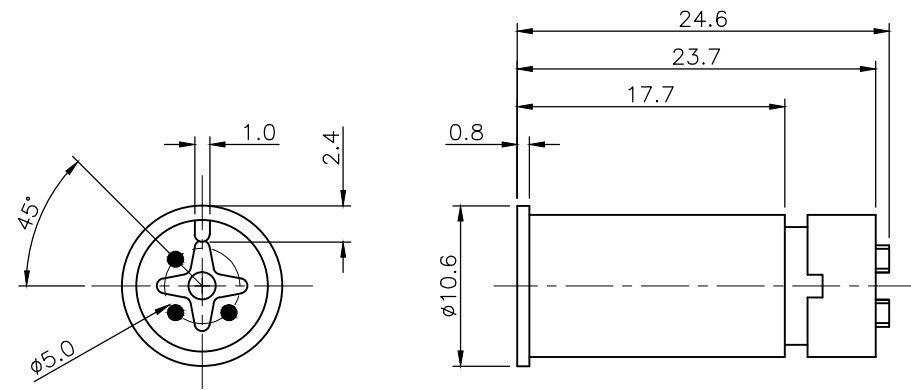


REV.	DESCRIPTION	DRAWN	DATE
1	INITIAL RELEASE	TIM	2020/05/07

**SPECIFICATION:**

1. Current Rating: 4A
2. Voltage Rating: 250V
3. Waterproof: IPX7
4. Operating temperature range: -40 °C~+ 85°C



5	EPOXY	EF400A & EF400B, Black						
4	O-RING	EPDM, Black						
3	NUT	Brass, Nickel plating						
2	CONTACT	Brass, 10u" Gold plating over Nickel						
1	HOUSING	PBT, UL94V-0, Black						
NO.	PART NAME	DESCRIPTION						
UNLESS OTHERWISE SPECIFIED TOLERANCE								
UNIT:	DECIMAL	LINEAR	ANGLES					
mm	X.	±0.50	±5°					
	X.X	±0.25	±3°					
	X.XX	±0.12	±1°					
DRAWN		Tim	2020/05/07	DRAWN NAME: M12 A-Code Plug for Cable, 3Pin Male For Overmold with Cable				
CHECKED		Fros	2020/05/07					
APPROVED		Ken	2020/05/07	PRODUCT NO. 216A-03MO0				
SCALE		2/1	SHEET	1/1	SIZE	A4	FILE NAME	216A-03MO0_B_1



WWW.ATTEND.COM.TW