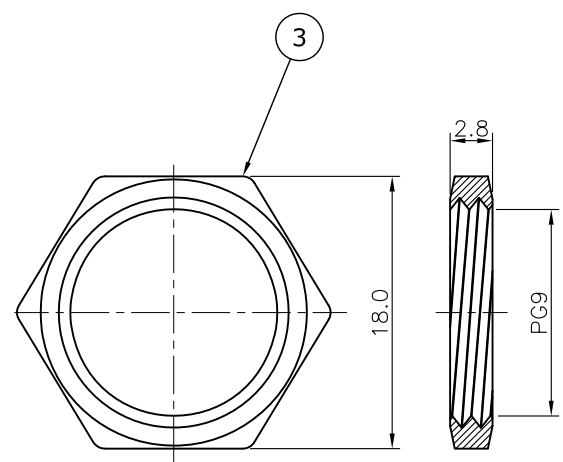
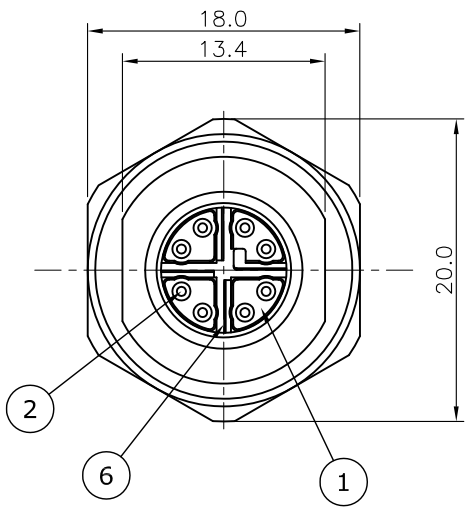
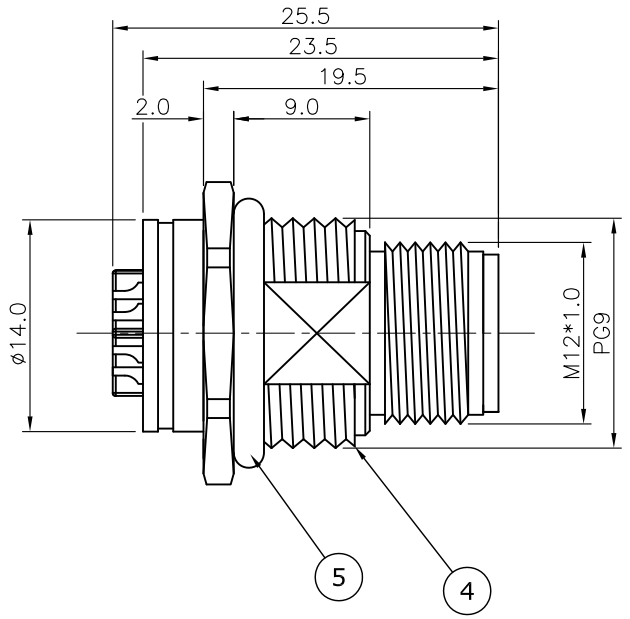
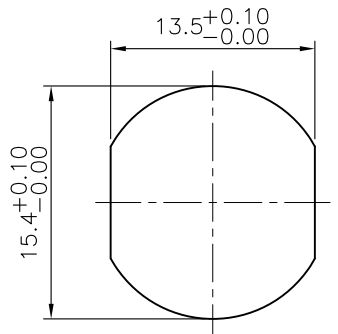


REV.	DESCRIPTION	DRAWN	DATE
1	INITIAL RELEASE	FROS	2023/05/18



NUT



RECOMMEND PANEL CUT OUT

**SPECIFICATION:**

1. Current Rating: 0.5A
2. Voltage Rating: 50 V AC / 60 V DC
3. Water proof: IPX7
4. Operation Temperature: -40°C to 85°C

6	X-SHELL	Zinc alloy, nickel plating
5	O-RING	EPDM
4	SHELL	BRASS, nickel plating
3	NUT	BRASS, nickel plating
2	CONTACT	BRASS, 10u" gold under nickel plating
1	HOUSING	PBT UL94V-0, Black
NO.	PART NAME	DESCRIPTION

UNLESS OTHERWISE SPECIFIED TOLERANCE

UNIT:	DECIMAL	LINEAR	ANGLES
mm	X.	±0.50	±5°
	X.X	±0.25	±3°
	X.XX	±0.12	±1°



WWW.ATTEND.COM.TW

DRAWN	Fros	2023/05/18	DRAWN NAME:	
CHECKED	Tim	2023/05/18	M12 X- Code Receptacle, 8 Pin Male Solder Type Front Fastened	
APPROVED	Ken	2023/05/18	PRODUCT NO.	216X-08MAF
SCALE	2/1	SHEET	1/1	SIZE
				A4
			FILE NAME	216X-08MAF_B_1