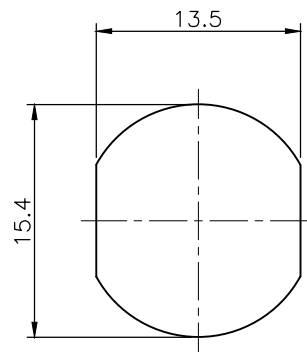
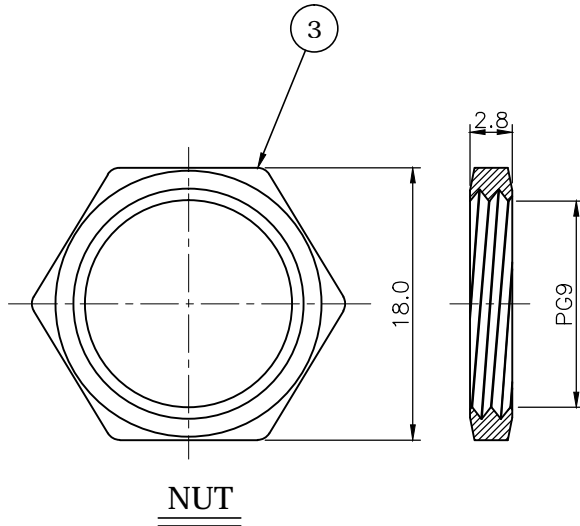
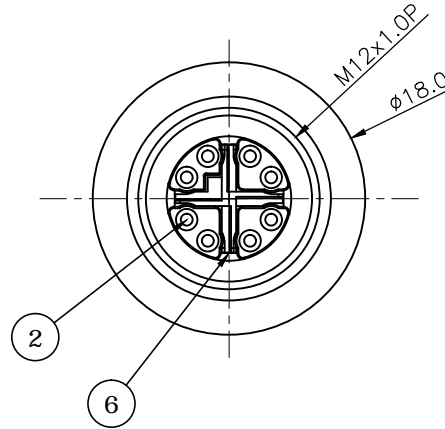
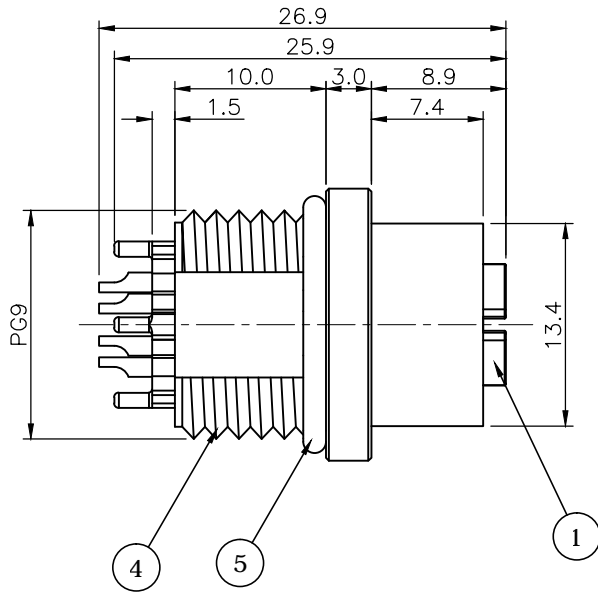


REV.	DESCRIPTION	DRAWN	DATE
1	INITIAL RELEASE	FROS	2023/05/03

**SPECIFICATION:**

1. Current Rating: 0.5A
2. Voltage Rating: 50VAC/ 60VDC
3. Water proof: IPX7
4. Operation Temperature: -40°C TO 85°C



6	X-SHELL	ZINC ALLOY, NICKEL PLATED
5	O-RING	EPDM
4	SHELL	BRASS, NICKEL PLATED
3	NUT	BRASS, NICKEL PLATED
2	CONTACT	BRASS, 10u" GOLD UNDER NICKEL PLATED
1	HOUSING	PA66 UL94V-0, BLACK
NO.	PART NAME	DESCRIPTION

UNLESS OTHERWISE SPECIFIED TOLERANCE			
UNIT:	DECIMAL	LINEAR	ANGLES
mm	X.	±0.50	±5°
	X.X	±0.25	±3°
	X.XX	±0.12	±1°



www.attend.com.tw

DRAWN	Fros	2023/05/03	DRAWN NAME:	M12 X- Code Receptacle, 8 Pin Female Solder Type Rear Fastened	
CHECKED	Zola	2023/05/03	PRODUCT NO.	216X-08FAR	
APPROVED	Ken	2023/05/03	FILE NAME	216X-08FAR_B_1	
SCALE	2/1	SHEET	1/1	SIZE	A4