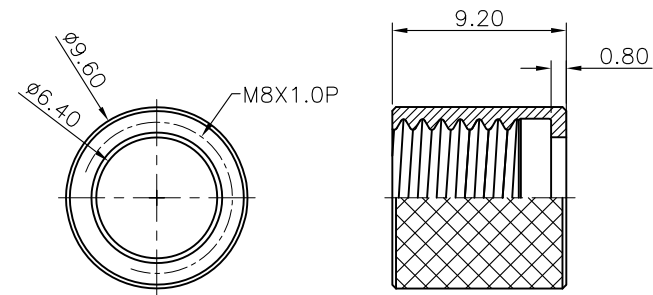
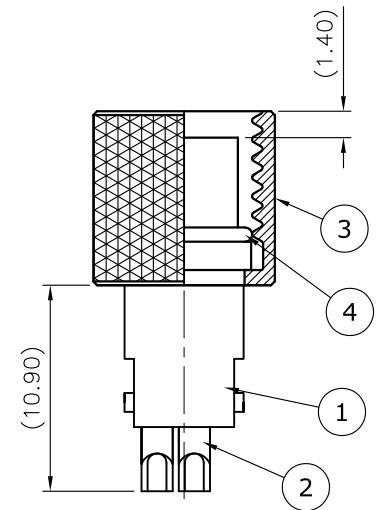
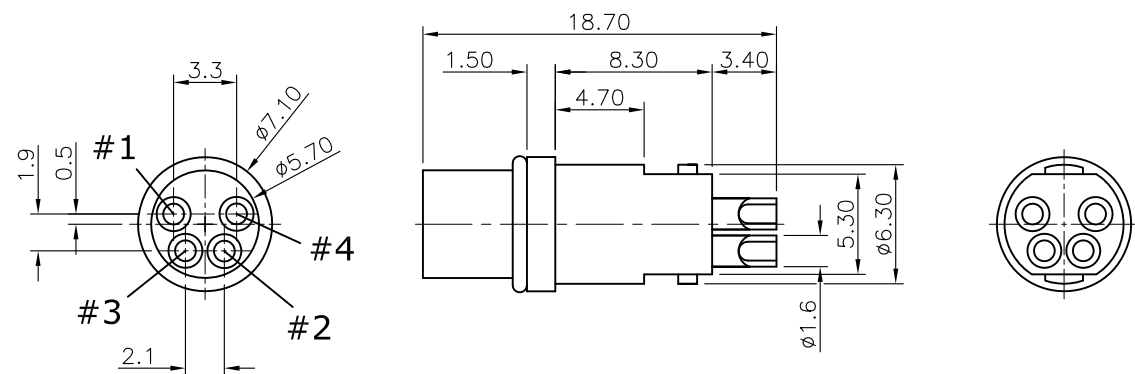


REV.	DESCRIPTION	DRAWN	DATE
1	INITIAL RELEASE	Fros	2016/08/15
2	ECR220421002	Fros	2022/04/21

SPECIFICATION:

1. CURRENT RATING: 3A
2. VOLTAGE: 50VAC/60VDC
3. WATER PROOF: IPX7
4. OPERATION TEMPERATURE: -40°C TO +85°C



NUT

4	O-RING	NBR, Black
3	NUT	Brass, Nickel plated
2	CONTACT	Bronze, Gold plating over Nickel
1	HOUSING	PBT, UL94V-0, Black
NO	PART NAME	DESCRIPTION

UNLESS OTHERWISE SPECIFIED TOLERANCE

UNIT:	DECIMAL	LINEAR	ANGLES
mm	X.	±0.50	±5°
	X.X	±0.25	±3°
	X.XX	±0.12	±1°



WWW.ATTEND.COM.TW

DRAWN	Fros	2016/08/15	DRAWN NAME:		
CHECKED	Tim	2016/08/15	M8 A- Code Plug for Cable , 4Pin Female For Overmold with Cable, 9.2Nut		
APPROVED	Ken	2016/08/15	PRODUCT NO.	219A-04FO0-01	
SCALE	2.5/1	SHEET	1/1	SIZE	A4
			FILE NAME	219A-04FO0-01_B_2	