


High-accuracy 6-axis automotive inertial measurement unit (IMU) with embedded machine learning core and dual operating modes



LGA-14L
Typ: 2.5 x 3.0 x 0.83 mm³

Features

- AEC-Q100 qualified 
- Android Auto™ compliant and CarPlay® compliant
- Extended temperature range from -40 to +105°C
- Embedded compensation for high stability over temperature
- Accelerometer user-selectable full scale up to ±16 g
- Extended gyroscope range from ±125 to ±4000 dps
- Dual operating modes: high-performance and low-power mode
- I²C, MIPI I3CSM, and SPI serial interfaces
- Six-channel synchronized output to enhance accuracy of dead-reckoning algorithms
- Programmable finite state machine
- Machine learning core
- Smart programmable interrupts
- Embedded 3 KB FIFO available to underload host processor
- ECOPACK and RoHS compliant

Product status link

[ASM330LHHX](#)

Product summary

Order code	ASM330LHHXTR
Temp. range [°C]	-40 to +105
Package	LGA-14L (2.5 x 3.0 x 0.83 mm ³)
Packing	Tape and reel

Product resources

[AN5777](#) (device application note)
[AN5826](#) (finite state machine)
[AN5781](#) (machine learning core)
[TN0018](#) (design and soldering)

Product labels



Applications

- Dead reckoning (DR)
- Vehicle-to-everything (V2X)
- Telematics, e-tolling
- Antitheft systems
- Impact detection and crash reconstruction
- Motion-activated functions
- Driving comfort
- Vibration monitoring and compensation

Description

The ASM330LHHX is a 6-axis IMU featuring a 3-axis digital accelerometer and a 3-axis digital gyroscope with an extended temperature range up to +105°C, designed to address automotive nonsafety applications.

ST's family of MEMS sensor modules leverages the robust and mature manufacturing processes already used for the production of micromachined accelerometers and gyroscopes to serve both the automotive and consumer markets. The ASM330LHHX is AEC-Q100 compliant and industrialized through a dedicated MEMS production flow to meet automotive reliability standards. All the parts are fully tested with respect to temperature to ensure the highest quality level.

The sensing elements are manufactured using ST's proprietary micromachining processes, while the IC interfaces are developed using CMOS technology that allows the design of a dedicated circuit, which is trimmed to better match the characteristics of the sensing element.

The ASM330LHHX has a full-scale acceleration range of $\pm 2/\pm 4/\pm 8/\pm 16$ g and a wide angular rate range of $\pm 125/\pm 250/\pm 500/\pm 1000/\pm 2000/\pm 4000$ dps that enables its usage in a broad range of automotive applications.

The device supports dual operating modes: high-performance mode and low-power mode.

All the design aspects of the ASM330LHHX have been optimized to reach superior output stability, extremely low noise, and full data synchronization to the benefit of sensor-assisted applications like dead reckoning and sensor fusion.

The ASM330LHHX is available in a 14-lead plastic, land grid array (LGA) package.

1 Overview

The ASM330LHHX is a system-in-package featuring a high-performance 3-axis digital accelerometer and 3-axis digital gyroscope.

This device is suitable for telematics and dead-reckoning applications as well as vehicle-to-vehicle (V2X) and impact detection as a result of its high stability over temperature and time, combined with superior sensing precision.

Supporting dual operating modes, the device has enhanced flexibility versus application requirements, leveraging on multiple voltage and multiple ODR selections. The device also includes digital features like a finite state machine and an ST proprietary machine learning core, allowing defined motion pattern detection or some complex algorithms run in the application processor to be moved to the MEMS sensor with the advantage of consistent reduction in power consumption.

The event-detection interrupts enable efficient and reliable motion-activated functions, implementing hardware recognition of free-fall events, 6D orientation, activity or inactivity, and wake-up events.

Like the entire portfolio of MEMS sensor modules, the ASM330LHHX leverages the robust and mature in-house manufacturing processes already used for the production of micromachined accelerometers and gyroscopes. The various sensing elements are manufactured using specialized micromachining processes, while the IC interfaces are developed using CMOS technology that allows the design of a dedicated circuit which is trimmed to better match the characteristics of the sensing element.

The ASM330LHHX is available in a small plastic land grid array (LGA) package of 2.5 x 3.0 x 0.83 mm to address ultra-compact solutions.

2 Embedded low-power features

The ASM330LHHX has been designed to feature the following on-chip functions:

- 3 KB data buffering
 - 100% efficiency with flexible configurations and partitioning
 - Possibility to store timestamp
- Event-detection interrupts (fully configurable)
 - Free-fall
 - Wake-up
 - 6D orientation
 - Activity/inactivity recognition
 - Stationary/motion detection
- Specific IP blocks with negligible power consumption and high performance
 - Finite state machine (FSM) for accelerometer, gyroscope, and external sensors
 - Machine learning core (MLC) for accelerometer, gyroscope, and external sensors
- Sensor hub
 - Up to six total sensors: two internal (accelerometer and gyroscope) and four external sensors

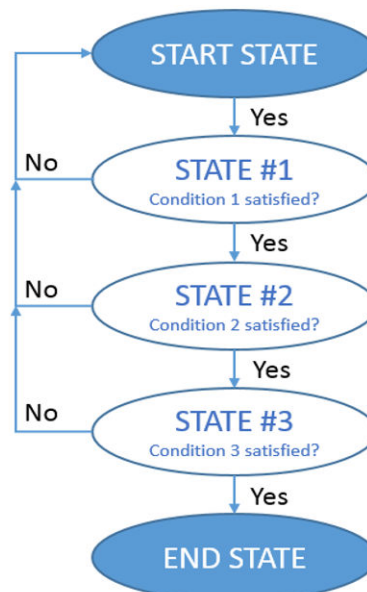
2.1 Finite state machine

The ASM330LHHX can be configured to generate interrupt signals activated by user-defined motion patterns. To do this, up to 16 embedded finite state machines can be programmed independently for motion detection such as vehicle status (stationary or moving), antitheft alarms, and shock detection.

Definition of finite state machine

A state machine is a mathematical abstraction used to design logic connections. It is a behavioral model composed of a finite number of states and transitions between states, similar to a flow chart in which one can inspect the way logic runs when certain conditions are met. The state machine begins with a start state, goes to different states through transitions dependent on the inputs, and can finally end in a specific state (called stop state). The current state is determined by the past states of the system. The figure below shows a generic state machine.

Figure 1. Generic state machine



Finite state machine in the ASM330LHHX

The ASM330LHHX works as a combo accelerometer-gyroscope sensor, generating acceleration and angular rate output data. It is also possible to connect an external sensor (magnetometer) by using the sensor hub feature (mode 2). These data can be used as input of up to 16 programs in the embedded finite state machine (Figure 2. State machine in the ASM330LHHX).

All 16 finite state machines are independent: each one has its dedicated memory area and it is independently executed. An interrupt is generated when the end state is reached or when some specific command is performed.

Figure 2. State machine in the ASM330LHHX



2.2 Machine learning core

The ASM330LHHX embeds a dedicated core for machine learning processing that provides system flexibility, allowing some algorithms run in the application processor to be moved to the MEMS sensor with the advantage of consistent reduction in power consumption.

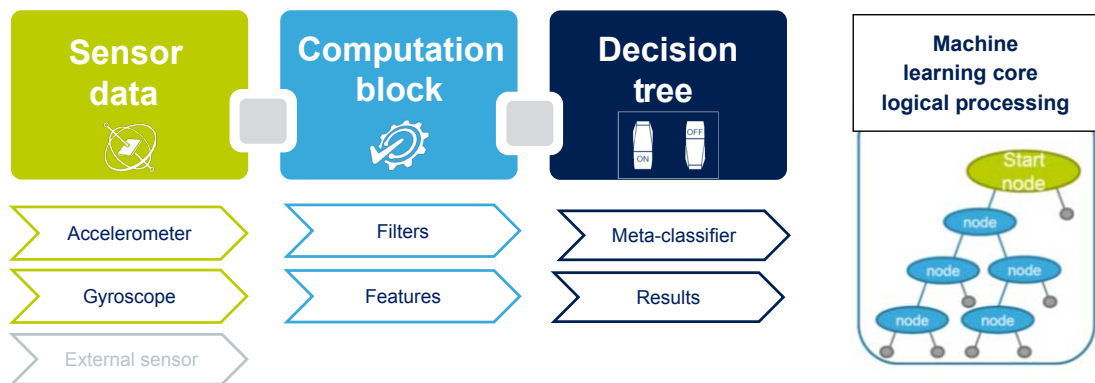
Machine learning core logic allows identifying if a data pattern (for example motion, pressure, temperature, magnetic data, and so forth) matches a user-defined set of classes. Typical examples of applications could be activity detection like running, walking, driving, and so forth.

The ASM330LHHX machine learning core works on data patterns coming from the accelerometer and gyroscope sensors, but it is also possible to connect and process external sensor data (like magnetometer) by using the sensor hub feature (mode 2).

The input data can be filtered using a dedicated configurable computation block containing filters and features computed in a fixed time window defined by the user.

Machine learning processing is based on logical processing composed of a series of configurable nodes characterized by "if-then-else" conditions where the "feature" values are evaluated against defined thresholds.

Figure 3. Machine learning core in the ASM330LHHX



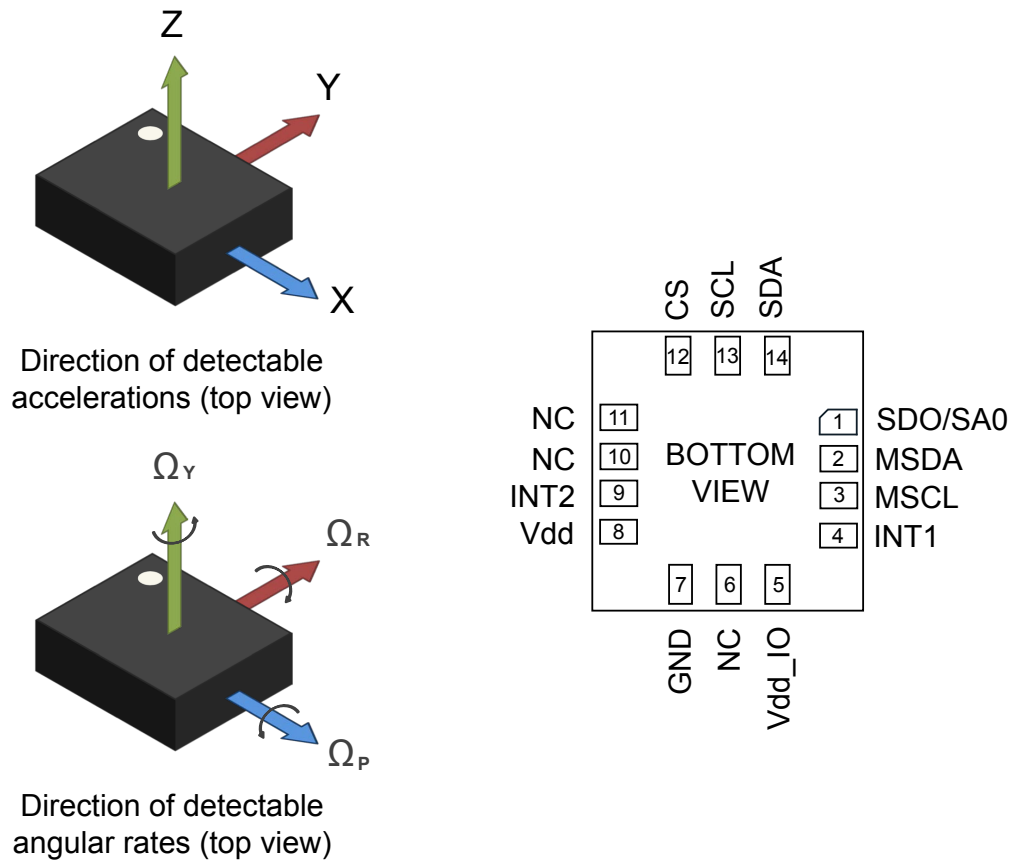
The ASM330LHHX can be configured to run up to 8 flows simultaneously and independently and every flow can generate up to 256 results. The total number of nodes can be up to 512.

The results of the machine learning processing are available in dedicated output registers readable from the application processor at any time.

The ASM330LHHX machine learning core can be configured to generate an interrupt when a change in the result occurs.

3 Pin description

Figure 4. Pin connections

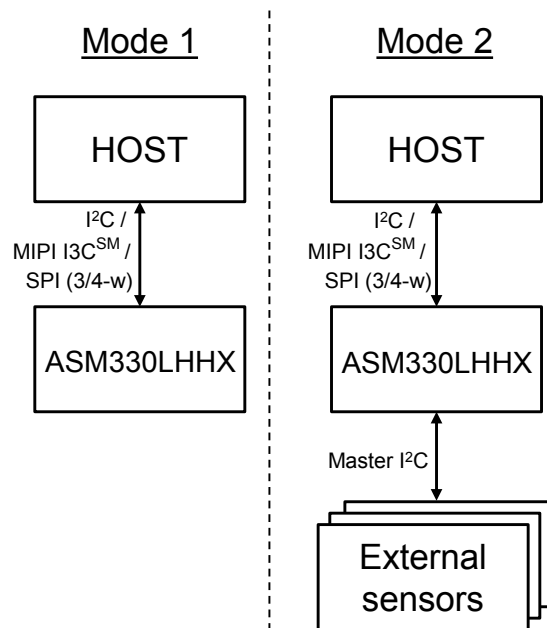


3.1 Pin connections

The ASM330LHHX offers flexibility to connect the pins in order to have two different mode connections and functionalities. In detail:

- **Mode 1:** I²C / MIPI I3CSM slave interface or SPI (3- and 4-wire) serial interface is available;
- **Mode 2:** I²C / MIPI I3CSM slave interface or SPI (3- and 4-wire) serial interface and I²C master interface for external sensor connections are available;

Figure 5. ASM330LHHX connection modes



In the following table, each mode is described for the pin connections and function.

Table 1. Pin description

Pin#	Name	Mode 1 function	Mode 2 function
1	SDO/SA0	SPI 4-wire interface serial data output (SDO) I ² C least significant bit of the device address (SA0) MIPI I3C SM least significant bit of the static address (SA0)	SPI 4-wire interface serial data output (SDO) I ² C least significant bit of the device address (SA0) MIPI I3C SM least significant bit of the static address (SA0)
2	MSDA	Connect to Vdd_IO or GND	I ² C master serial data (MSDA)
3	MSCL	Connect to Vdd_IO or GND	I ² C master serial clock (MSCL)
4	INT1	Programmable interrupt in I ² C and SPI	
5	Vdd_IO ⁽¹⁾	Power supply for I/O pins	
6	NC	Connect to Vdd_IO or GND or leave unconnected	
7	GND	0 V supply	
8	Vdd ⁽¹⁾	Power supply	
9	INT2	Programmable interrupt 2 (INT2) / Data enabled (DEN)	Programmable interrupt 2 (INT2) / Data enabled (DEN) / I ² C master external synchronization signal (MDRDY)
10	NC	Leave unconnected ⁽²⁾	
11	NC	Leave unconnected ⁽²⁾	
12	CS	I ² C/MIPI I3C SM /SPI mode selection (1: SPI idle mode / I ² C/MIPI I3C SM communication enabled; 0: SPI communication mode / I ² C/MIPI I3C SM disabled)	I ² C/MIPI I3C SM /SPI mode selection (1: SPI idle mode / I ² C/MIPI I3C SM communication enabled; 0: SPI communication mode / I ² C/MIPI I3C SM disabled)
13	SCL	I ² C/MIPI I3C SM serial clock (SCL) SPI serial port clock (SPC)	I ² C/MIPI I3C SM serial clock (SCL) SPI serial port clock (SPC)
14	SDA	I ² C/MIPI I3C SM serial data (SDA) SPI serial data input (SDI) 3-wire interface serial data output (SDO)	I ² C/MIPI I3C SM serial data (SDA) SPI serial data input (SDI) 3-wire interface serial data output (SDO)

1. Vdd_IO: Recommended 100 nF filter capacitor. Vdd: Recommended 100 nF plus 10 µF capacitors.

2. Leave pin electrically unconnected and soldered to PCB.

4 Module specifications

4.1 Mechanical characteristics

@Vdd = 3.0 V, T = -40°C to +105°C, up to gyroscope FS = ±2000 dps unless otherwise noted.
 The product is factory calibrated at 3.0 V. The operational power supply range is from 1.71 V to 3.6 V.

Table 2. Mechanical characteristics

Symbol	Parameter	Test conditions	Min.	Typ. ⁽¹⁾	Max.	Unit
LA_FS	Linear acceleration measurement range			±2		g
				±4		
				±8		
				±16		
G_FS	Angular rate measurement range			±125		dps
				±250		
				±500		
				±1000		
				±2000		
LA_So	Linear acceleration sensitivity	@LA_FS = ±2 g		0.061		mg/LSB
		@LA_FS = ±4 g		0.122		
		@LA_FS = ±8 g		0.244		
		@LA_FS = ±16 g		0.488		
G_So	Angular rate sensitivity	@G_FS = ±125 dps		4.37		mdps/LSB
		@G_FS = ±250 dps		8.75		
		@G_FS = ±500 dps		17.5		
		@G_FS = ±1000 dps		35.0		
		@G_FS = ±2000 dps		70.0		
		@G_FS = ±4000 dps		140.0		
LA_So%	Sensitivity tolerance ⁽²⁾	@25°C		±2		%
	Sensitivity tolerance - long term ⁽³⁾		-6		+6	%
G_So%	Sensitivity tolerance ⁽²⁾	@25°C		±2		%
	Sensitivity tolerance - long term ⁽³⁾		-8		+8	%
LA_SoDr	Linear acceleration sensitivity change vs. temperature			±100		ppm/°C
G_SoDr	Angular rate sensitivity change vs. temperature			±70		ppm/°C
LA_TyOff	Linear acceleration zero-g level offset accuracy ⁽²⁾	@25°C		±20		mg
LA_Off	Linear acceleration offset accuracy - long term ⁽³⁾		-150		+150	mg
G_TyOff	Angular rate zero-rate level accuracy ⁽²⁾	@25°C		±2		dps
G_Off	Angular rate offset accuracy - long term ⁽³⁾		-7		+7	dps
LA_TCOff	Linear acceleration zero-g level change vs. temperature			±0.10		mg/°C
G_TCOff	Angular rate typical zero-rate level change vs. temperature			±0.005		dps/°C
LA_Cx	Linear acceleration cross-axis sensitivity	@25°C		±1		%

Symbol	Parameter	Test conditions	Min.	Typ. ⁽¹⁾	Max.	Unit
G_Cx	Angular rate cross-axis sensitivity	@25°C		±1		%
An	Acceleration noise density ⁽⁴⁾⁽⁶⁾	@LA_FS = ±2 g		60	200	μg/√Hz
AnRMS	Acceleration RMS noise in low-power mode ⁽⁵⁾			1.8		mg(RMS)
Rn	Rate noise density ⁽⁴⁾⁽⁶⁾			5	12	mdps/√Hz
RnRMS	Gyroscope RMS noise in low-power mode ⁽⁵⁾			90		mdps
XL_NL	Accelerometer nonlinearity ⁽⁷⁾	Best-fit straight line		0.5		% FS
G_NL	Gyroscope nonlinearity ⁽⁷⁾	Best-fit straight line		0.01		% FS
VRW	Velocity random walk ⁽⁷⁾	@25°C		0.03		m/sec/√h
XL_BI	Accelerometer bias instability ⁽⁷⁾	@25°C		40		μg
ARW	Angular random walk ⁽⁷⁾	@25°C		0.21		°/√h
G_BI	Gyroscope bias instability ⁽⁷⁾	@25°C		3		°/h
LA_ODR	Linear acceleration output data rate			1.6 ⁽⁸⁾ 12.5 26 52 104 208 416 833 1667 3333 6667		Hz
G_ODR	Angular rate output data rate			12.5 26 52 104 208 416 833 1667 3333 6667		Hz
Vst	Linear acceleration self-test output change - long term ⁽³⁾⁽⁹⁾⁽¹⁰⁾⁽¹¹⁾		40		1700	mg
	Angular rate self-test output change - long term ⁽³⁾⁽¹²⁾⁽¹³⁾	FS = ±250 dps	20		80	dps
		FS = ±2000 dps	150		700	dps
Top	Operating temperature range		-40		+105	°C

1. Typical specifications are not guaranteed.
2. Values after factory calibration test and trimming at T = 25°C.
3. Long term includes the following conditions: post solder, drift in temperature in the range [-40°C to +105°C] and over life.
4. Max. values from design and characterization at ambient temperature (T = 25°C).
5. RMS noise is the same for all ODRs.
6. Noise density is the same for all ODRs.
7. Based on characterization data on a limited number of samples. Not measured during final test for production.
8. This ODR is available when the accelerometer is in low-power mode.

9. Accelerometer self-test limits are full-scale independent.
10. The sign of the linear acceleration self-test output change is defined by the STx_XL bits in a dedicated register for all axes.
11. The linear acceleration self-test output change is defined with the device in stationary condition as the absolute value of: $OUTPUT[LSb]$ (self-test enabled) - $OUTPUT[LSb]$ (self-test disabled). 1LSb = 0.061 mg at ± 2 g full scale.
12. The angular rate self-test output change is defined with the device in stationary condition as the absolute value of: $OUTPUT[LSb]$ (self-test enabled) - $OUTPUT[LSb]$ (self-test disabled). 1LSb = 70 mdps at ± 2000 dps full scale.
13. The sign of the angular rate self-test output change is defined by the STx_G bits in a dedicated register for all axes.

4.2 Electrical characteristics

@Vdd = 3.0 V, T = -40°C to +105°C, up to gyroscope FS = ±2000 dps unless otherwise noted.

Table 3. Electrical characteristics

Symbol	Parameter	Test conditions	Min.	Typ. ⁽¹⁾	Max.	Unit
Vdd	Supply voltage		1.71		3.6	V
Vdd_IO	Power supply for I/O		1.62		3.6	V
GA_Idd	Gyroscope and accelerometer current consumption	ODR = 1.6 kHz		1.3	1.6	mA
A_IddHP	Accelerometer current consumption in high-performance mode	ODR = 1.6 kHz		360	530	µA
LA_IddLM	Accelerometer current consumption in low-power mode	ODR = 52 Hz, @25°C		50	150	µA
		ODR = 12.5 Hz, @25°C ⁽³⁾		14		µA
		ODR = 1.6 Hz, @25°C ⁽³⁾		7		µA
		Vdd = 1.71 V, ODR = 52 Hz, @25°C		40	150	µA
		Vdd = 1.71 V, ODR = 12.5 Hz, @25°C ⁽³⁾		11		µA
		Vdd = 1.71 V, ODR = 1.6 Hz, @25°C ⁽³⁾		5.5		µA
LC_IddLM	Current consumption in low-power mode, combo mode	ODR = 52 Hz		530	800	µA
		ODR = 12.5 Hz, @25°C ⁽³⁾		475		µA
		Vdd = 1.71 V, ODR = 52 Hz		520	800	µA
		Vdd = 1.71 V, ODR = 12.5 Hz, @25°C ⁽³⁾		470		µA
IddPD	Gyroscope and accelerometer current consumption during power-down	@25°C		5	13	µA
Ton	Turn-on time ⁽²⁾			35		ms
V _{IH} ⁽³⁾	Digital high-level input voltage		0.7 * Vdd_IO			V
V _{IL} ⁽³⁾	Digital low-level input voltage				0.3 * Vdd_IO	V
V _{OH} ⁽³⁾	High-level output voltage	I _{OH} = 4 mA ⁽⁴⁾	Vdd_IO - 0.2			V
V _{OL} ⁽³⁾	Low-level output voltage	I _{OL} = 4 mA ⁽⁴⁾			0.2	V
Top	Operating temperature range		-40		+105	°C

1. Typical specifications are not guaranteed.
2. Time to obtain stable sensitivity (within ±5% of final value) switching from power-down to normal operation
3. Evaluated by characterization - not tested in production
4. 4 mA is the minimum driving capability, that is, the minimum DC current that can be sourced/sunk by the digital pad in order to guarantee the correct digital output voltage levels V_{OH} and V_{OL}.

4.3 Temperature sensor characteristics

@Vdd = 3.0 V, T = 25°C unless otherwise noted. The product is factory calibrated at 3.0 V.

Table 4. Temperature sensor characteristics

Symbol	Parameter	Test condition	Min.	Typ. ⁽¹⁾	Max.	Unit
TODR ⁽²⁾	Temperature refresh rate			52		Hz
Toff	Temperature offset ⁽³⁾		-15		+15	°C
TSen	Temperature sensitivity			256		LSB/°C
TST	Temperature stabilization time ⁽⁴⁾				500	µs
T_ADC_res	Temperature ADC resolution			16		bit
Top	Operating temperature range		-40		+105	°C

1. Typical specifications are not guaranteed.
2. When the accelerometer is in low-power mode and the gyroscope part is turned off, the TODR value is equal to the accelerometer ODR.
3. The output of the temperature sensor is 0 LSB (typ.) at 25°C.
4. Time from power ON to valid output data. Based on characterization.

4.4 Communication interface characteristics

4.4.1 SPI - serial peripheral interface

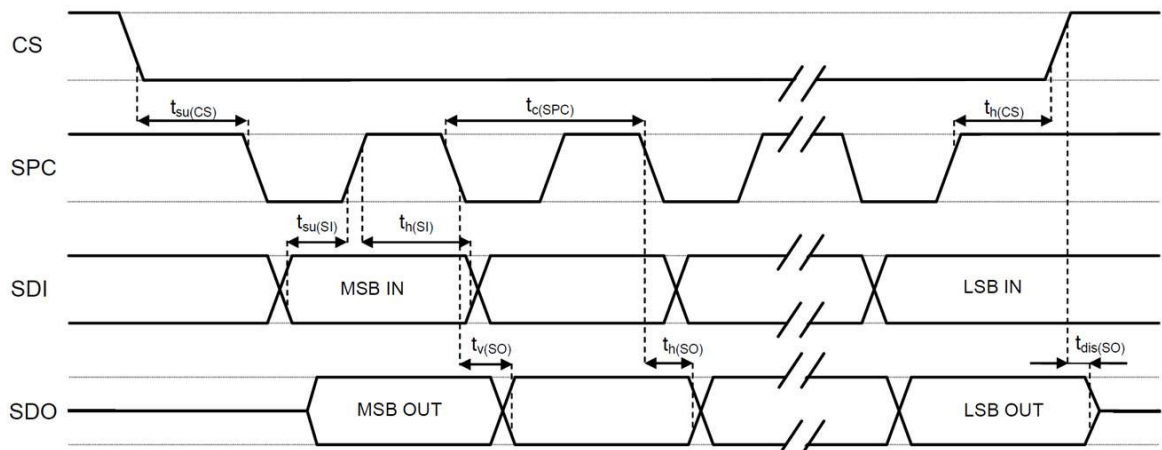
Subject to general operating conditions for Vdd and Top.

Table 5. SPI slave timing values (in mode 3)

Symbol	Parameter	Value ⁽¹⁾		Unit
		Min	Max	
$t_{c(SPC)}$	SPI clock cycle	100		ns
$f_{c(SPC)}$	SPI clock frequency		10	MHz
$t_{su(CS)}$	CS setup time	5		ns
$t_{h(CS)}$	CS hold time	20		
$t_{su(SI)}$	SDI input setup time	5		
$t_{h(SI)}$	SDI input hold time	15		
$t_{v(SO)}$	SDO valid output time		50	
$t_{h(SO)}$	SDO output hold time	5		
$t_{dis(SO)}$	SDO output disable time		50	

1. Values are evaluated at 10 MHz clock frequency for SPI with both 4 and 3 wires, based on characterization results, not tested in production.

Figure 6. SPI slave timing diagram (in mode 3)



Note: Measurement points are done at $0.3 \cdot V_{dd_IO}$ and $0.7 \cdot V_{dd_IO}$ for both input and output ports.

4.4.2 I²C - inter-IC control interface

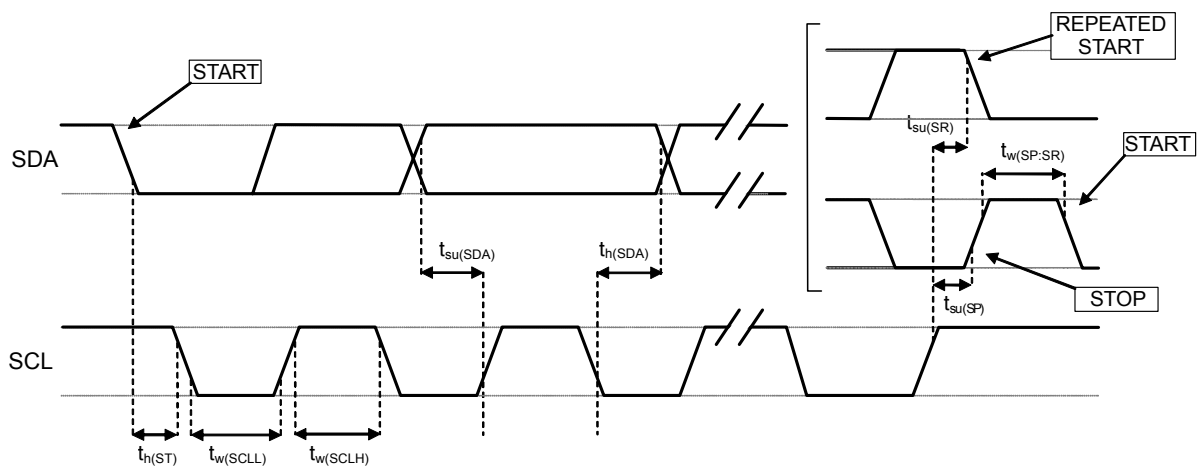
Subject to general operating conditions for V_{dd} and Top.

Table 6. I²C slave timing values

Symbol	Parameter	I ² C standard mode ⁽¹⁾		I ² C fast mode ⁽¹⁾		Unit
		Min	Max	Min	Max	
f _(SCL)	SCL clock frequency	0	100	0	400	kHz
t _{w(SCLL)}	SCL clock low time	4.7		1.3		μs
t _{w(SCLH)}	SCL clock high time	4.0		0.6		
t _{su(SDA)}	SDA setup time	250		100		ns
t _{h(SDA)}	SDA data hold time	0	3.45	0	0.9	μs
t _{h(ST)}	START condition hold time	4		0.6		
t _{su(SR)}	Repeated START condition setup time	4.7		0.6		
t _{su(SP)}	STOP condition setup time	4		0.6		
t _{w(SP:SR)}	Bus free time between STOP and START condition	4.7		1.3		

1. Data based on standard I²C protocol requirement, not tested in production.

Figure 7. I²C slave timing diagram



Note: Measurement points are done at 0.3·V_{dd_IO} and 0.7·V_{dd_IO} for both ports.

Table 7. I²C high-speed mode specifications at 1 MHz

	Symbol	Parameter	Min.	Max.	Unit
Fast mode plus ⁽¹⁾	f _{SCL}	SCL clock frequency	0	1	MHz
	t _{HD;STA}	Hold time (repeated) START condition	260	-	ns
	t _{LOW}	Low period of the SCL clock	500	-	
	t _{HIGH}	High period of the SCL clock	260	-	
	t _{SU;STA}	Setup time for a repeated START condition	260	-	
	t _{HD;DAT}	Data hold time	0	-	
	t _{SU;DAT}	Data setup time	50	-	
	t _{rDA}	Rise time of SDA signal	-	120	
	t _{fDA}	Fall time of SDA signal	-	120	
	t _{rCL}	Rise time of SCL signal	20*V _{dd} /5.5	120	
	t _{fCL}	Fall time of SCL signal	20*V _{dd} /5.5	120	
	t _{SU;STO}	Setup time for STOP condition	260	-	
	C _b	Capacitive load for each bus line	-	550	pF
	t _{VD;DAT}	Data valid time	-	450	ns
	t _{VD;ACK}	Data valid acknowledge time	-	450	
	V _{nL}	Noise margin at low level	0.1V _{dd}	-	V
	V _{nH}	Noise margin at high level	0.2V _{dd}	-	
t _{SP}	Pulse width of spikes that must be suppressed by the input filter	0	50	ns	

1. Data based on characterization, not tested in production

4.5 Absolute maximum ratings

Stresses above those listed as “Absolute maximum ratings” may cause permanent damage to the device. This is a stress rating only and functional operation of the device under these conditions is not implied. Exposure to maximum rating conditions for extended periods may affect device reliability.

Table 8. Absolute maximum ratings

Symbol	Ratings	Maximum value	Unit
Vdd	Supply voltage	-0.3 to 4.8	V
T _{STG}	Storage temperature range	-40 to +125	°C
Sg	Acceleration <i>g</i> for 0.3 ms	3000	<i>g</i>
ESD	Electrostatic discharge protection (HBM)	2	kV
V _{in}	Input voltage on any control pin (including CS, SCL/SPC, SDA/SDI/SDO, SDO/SA0)	-0.3 to Vdd_IO +0.3	V

Note: Supply voltage on any pin should never exceed 4.8 V.



This device is sensitive to mechanical shock, improper handling can cause permanent damage to the part.



This device is sensitive to electrostatic discharge (ESD), improper handling can cause permanent damage to the part.

4.6 Terminology

4.6.1 Sensitivity

Linear acceleration sensitivity can be determined, for example, by applying 1 g acceleration to the device. Because the sensor can measure DC accelerations, this can be done easily by pointing the selected axis towards the ground, noting the output value, rotating the sensor 180 degrees (pointing towards the sky), and noting the output value again. By doing so, ± 1 g acceleration is applied to the sensor. Subtracting the larger output value from the smaller one, and dividing the result by 2, leads to the actual sensitivity of the sensor. This value changes very little over temperature and over time. The sensitivity tolerance describes the range of sensitivities of a large number of sensors (see [Table 2](#)).

An angular rate gyroscope is a device that produces a positive-going digital output for counterclockwise rotation around the axis considered. Sensitivity describes the gain of the sensor and can be determined by applying a defined angular velocity to it. This value changes very little over temperature and time (see [Table 2](#)).

4.6.2 Zero-g and zero-rate level

Linear acceleration zero-g level offset (TyOff) describes the deviation of an actual output signal from the ideal output signal if no acceleration is present. A sensor in a steady state on a horizontal surface measures 0g on both the X-axis and Y-axis, whereas the Z-axis measures 1 g. Ideally, the output is in the middle of the dynamic range of the sensor (content of OUT registers 00h, data expressed as two's complement number). A deviation from the ideal value in this case is called zero-g offset.

Offset is to some extent a result of stress to the MEMS sensor and therefore the offset can slightly change after mounting the sensor onto a printed circuit board or exposing it to extensive mechanical stress. Offset changes little over temperature, see "Linear acceleration zero-g level change vs. temperature" in [Table 2](#). The zero-g level tolerance (TyOff) describes the standard deviation of the range of zero-g levels of a group of sensors.

Zero-rate level describes the actual output signal if there is no angular rate present. The zero-rate level of precise MEMS sensors is, to some extent, a result of stress to the sensor and therefore the zero-rate level can slightly change after mounting the sensor onto a printed circuit board or after exposing it to extensive mechanical stress. This value changes very little over temperature and time (see [Table 2](#)).

5 Digital interfaces

5.1 I²C/SPI interface

The registers embedded inside the ASM330LHHX may be accessed through both the I²C and SPI serial interfaces. The latter may be SW configured to operate either in 3-wire or 4-wire interface mode. The device is compatible with SPI modes 0 and 3.

The serial interfaces are mapped onto the same pins. To select/exploit the I²C interface, the CS line must be tied high (that is, connected to Vdd_IO).

Table 9. Serial interface pin description

Pin name	Pin description
CS	Enable SPI I ² C/SPI mode selection (1: SPI idle mode / I ² C communication enabled; 0: SPI communication mode / I ² C disabled)
SCL/SPC	I ² C serial clock (SCL) SPI serial port clock (SPC)
SDA/SDI/SDO	I ² C serial data (SDA) SPI serial data input (SDI) 3-wire interface serial data output (SDO)
SDO/SA0	SPI serial data output (SDO) I ² C less significant bit of the device address

5.1.1 I²C serial interface

The ASM330LHHX I²C is a bus slave. The I²C is employed to write the data to the registers, whose content can also be read back.

The relevant I²C terminology is provided in the table below.

Table 10. I²C terminology

Term	Description
Transmitter	The device that sends data to the bus
Receiver	The device that receives data from the bus
Master	The device that initiates a transfer, generates clock signals, and terminates a transfer
Slave	The device addressed by the master

There are two signals associated with the I²C bus: the serial clock line (SCL) and the serial data line (SDA). The latter is a bidirectional line used for sending and receiving the data to/from the interface. Both the lines must be connected to Vdd_IO through external pull-up resistors. When the bus is free, both the lines are high.

The I²C interface is implemented with fast mode (400 kHz) I²C standards as well as with the standard mode.

In order to disable the I²C block, (I2C_disable) = 1 must be written in CTRL4_C (13h).

5.1.1.1 I²C operation

The transaction on the bus is started through a start (ST) signal. A start condition is defined as a high to low transition on the data line while the SCL line is held high. After this has been transmitted by the master, the bus is considered busy. The next byte of data transmitted after the start condition contains the address of the slave in the first 7 bits and the eighth bit tells whether the master is receiving data from the slave or transmitting data to the slave. When an address is sent, each device in the system compares the first seven bits after a start condition with its address. If they match, the device considers itself addressed by the master.

The slave address (SAD) associated to the ASM330LHHX is 110101xb. The SDO/SA0 pin can be used to modify the less significant bit of the device address. If the SDO/SA0 pin is connected to the supply voltage, LSb is 1 (address 1101011b); else if the SDO/SA0 pin is connected to ground, the LSb value is 0 (address 1101010b). This solution permits to connect and address two different inertial modules to the same I²C bus.

Data transfer with acknowledge is mandatory. The transmitter must release the SDA line during the acknowledge pulse. The receiver must then pull the data line low so that it remains stable low during the high period of the acknowledge clock pulse. A receiver which has been addressed is obliged to generate an acknowledge after each byte of data received.

The I²C embedded inside the ASM330LHHX behaves like a slave device and the following protocol must be adhered to. After the start condition (ST) a slave address is sent, once a slave acknowledge (SAK) has been returned, an 8-bit subaddress (SUB) is transmitted. The increment of the address is configured by CTRL3_C (12h) (IF_INC).

The slave address is completed with a read/write bit. If the bit is 1 (read), a repeated start (SR) condition must be issued after the two subaddress bytes; if the bit is 0 (write) the master transmits to the slave with direction unchanged. Table 11 explains how the SAD+read/write bit pattern is composed, listing all the possible configurations.

Table 11. SAD + read/write patterns

Command	SAD[6:1]	SAD[0] = SA0	R/W	SAD+R/W
Read	110101	0	1	11010101 (D5h)
Write	110101	0	0	11010100 (D4h)
Read	110101	1	1	11010111 (D7h)
Write	110101	1	0	11010110 (D6h)

Table 12. Transfer when master is writing one byte to slave

Master	ST	SAD + W		SUB		DATA		SP
Slave			SAK		SAK		SAK	

Table 13. Transfer when master is writing multiple bytes to slave

Master	ST	SAD + W		SUB		DATA		DATA		SP
Slave			SAK		SAK		SAK		SAK	

Table 14. Transfer when master is receiving (reading) one byte of data from slave

Master	ST	SAD + W		SUB	SR	SAD + R			NMAK	SP
Slave			SAK		SAK		SAK	DATA		

Table 15. Transfer when master is receiving (reading) multiple bytes of data from slave

Master	ST	SAD+W		SUB	SR	SAD+R		MAK		MAK		NMAK	SP
Slave			SAK		SAK		SAK	DATA		DATA		DATA	

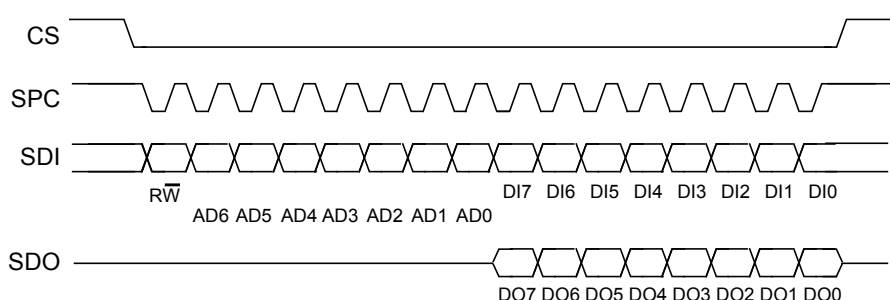
Data are transmitted in byte format (DATA). Each data transfer contains 8 bits. The number of bytes transferred per transfer is unlimited. Data is transferred with the most significant bit (MSb) first. If a slave receiver does not acknowledge the slave address (that is, it is not able to receive because it is performing some real-time function) the data line must be left high by the slave. The master can then abort the transfer. A low to high transition on the SDA line while the SCL line is high is defined as a stop condition. Each data transfer must be terminated by the generation of a stop (SP) condition.

In the presented communication format MAK is master acknowledge and NMAK is no master acknowledge.

5.1.2 SPI bus interface

The ASM330LHHX SPI is a bus slave. The SPI allows writing to and reading from the registers of the device. The serial interface communicates to the application using four wires: **CS**, **SPC**, **SDI**, and **SDO**.

Figure 8. Read and write protocol (in mode 3)



CS enables the serial port and it is controlled by the SPI master. It goes low at the start of the transmission and goes back high at the end. **SPC** is the serial port clock and it is controlled by the SPI master. It is stopped high when **CS** is high (no transmission). **SDI** and **SDO** are, respectively, the serial port data input and output. Those lines are driven at the falling edge of **SPC** and should be captured at the rising edge of **SPC**.

Both the read register and write register commands are completed in 16 clock pulses or in multiples of 8 in case of multiple read/write bytes. Bit duration is the time between two falling edges of **SPC**. The first bit (bit 0) starts at the first falling edge of **SPC** after the falling edge of **CS** while the last bit (bit 15, bit 23, ...) starts at the last falling edge of **SPC** just before the rising edge of **CS**.

bit 0: RW bit. When 0, the data DI(7:0) is written into the device. When 1, the data DO(7:0) from the device is read. In latter case, the chip drives **SDO** at the start of bit 8.

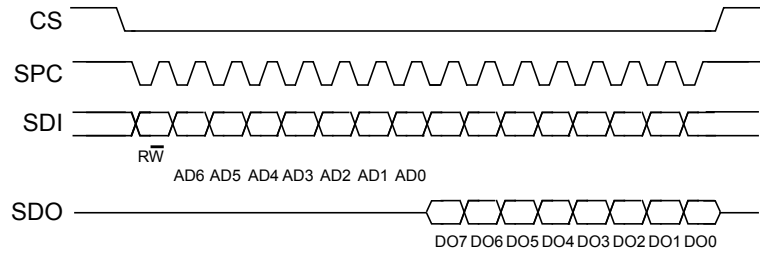
bit 1-7: address AD(6:0). This is the address field of the indexed register.

bit 8-15: data DI(7:0) (write mode). This is the data that is written into the device (MSb first).

bit 8-15: data DO(7:0) (read mode). This is the data that is read from the device (MSb first).

In multiple read/write commands, further blocks of eight clock periods are added. When the **CTRL3_C** (12h) (IF_INC) bit is 0, the address used to read/write data remains the same for every block. When the **CTRL3_C** (12h) (IF_INC) bit is 1, the address used to read/write data is increased at every block.

The function and the behavior of **SDI** and **SDO** remain unchanged.

5.1.2.1 SPI read
Figure 9. SPI read protocol (in mode 3)


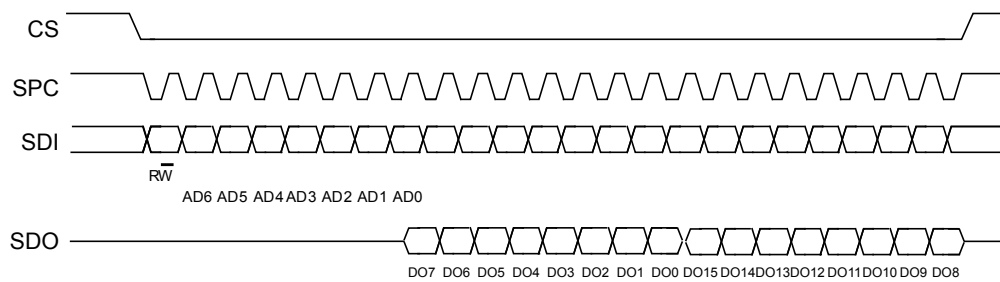
The SPI read command is performed with 16 clock pulses. A multiple byte read command is performed by adding blocks of 8 clock pulses to the previous one.

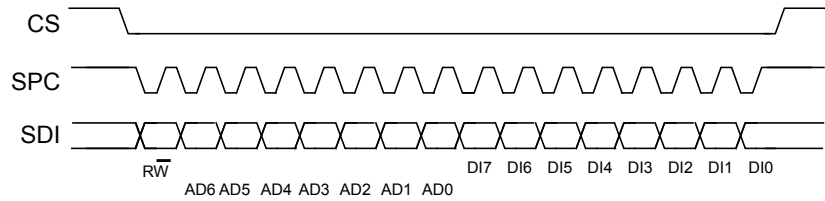
bit 0: READ bit. The value is 1.

bit 1-7: address AD(6:0). This is the address field of the indexed register.

bit 8-15: data DO(7:0) (read mode). This is the data that is read from the device (MSb first).

bit 16-...: data DO(...-8). Further data in multiple byte reads.

Figure 10. Multiple byte SPI read protocol (2-byte example) (in mode 3)


5.1.2.2 SPI write
Figure 11. SPI write protocol (in mode 3)


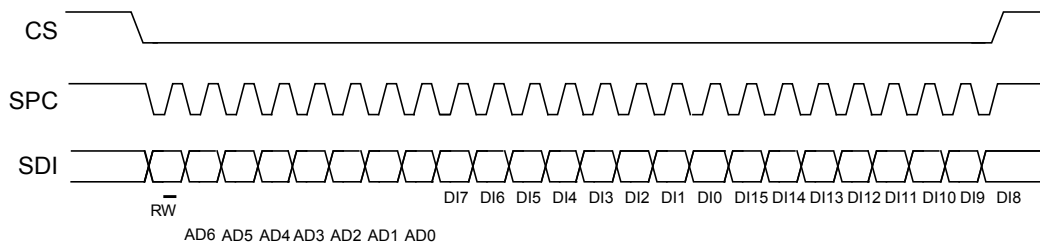
The SPI write command is performed with 16 clock pulses. A multiple byte write command is performed by adding blocks of 8 clock pulses to the previous one.

bit 0: WRITE bit. The value is 0.

bit 1-7: address AD(6:0). This is the address field of the indexed register.

bit 8-15: data DI(7:0) (write mode). This is the data that is written inside the device (MSb first).

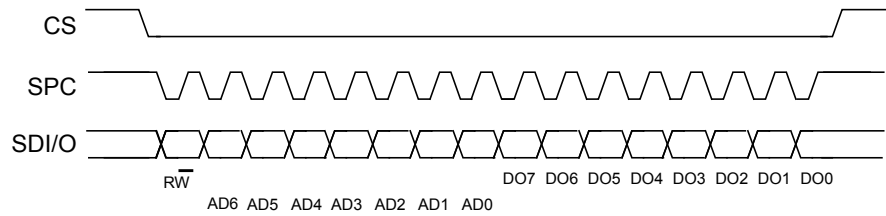
bit 16-... : data DI(...-8). Further data in multiple byte writes.

Figure 12. Multiple byte SPI write protocol (2-byte example) (in mode 3)


5.1.2.3 SPI read in 3-wire mode

A 3-wire mode is entered by setting the CTRL3_C (12h) (SIM) bit equal to 1 (SPI serial interface mode selection).

Figure 13. SPI read protocol in 3-wire mode (in mode 3)



The SPI read command is performed with 16 clock pulses:

bit 0: READ bit. The value is 1.

bit 1-7: address AD(6:0). This is the address field of the indexed register.

bit 8-15: data DO(7:0) (read mode). This is the data that is read from the device (MSb first).

A multiple read command is also available in 3-wire mode.

5.2 MIPI I3CSM interface

5.2.1 MIPI I3CSM slave interface

The ASM330LHHX interface includes a MIPI I3CSM SDR only slave interface with MIPI I3CSM SDR embedded features:

- CCC command
- Direct CCC communication (SET and GET)
- Broadcast CCC communication
- Private communications
- Private read and write for single byte
- Multiple read and write
- Error detection and recovery methods

Refer to [Section 5.3 I²C/I3C coexistence in ASM330LHHX](#) for details regarding the choice of the interface when powering up the device.

5.2.2 MIPI I3CSM CCC supported commands

The list of MIPI I3CSM CCC commands supported by the device is detailed in the following table.

Table 16. MIPI I3CSM CCC commands

Command	Command code	Default	Description
ENTDAA	0x07		DAA procedure
SETDASA	0x87		Assign dynamic address using static address 0x6B/0x6A depending on SDO pin
ENEC	0x80 / 0x00		Slave activity control (direct and broadcast)
DISEC	0x81/ 0x01		Slave activity control (direct and broadcast)
ENTAS0	0x82 / 0x02		Enter activity state (direct and broadcast)
ENTAS1	0x83 / 0x03		Enter activity state (direct and broadcast)
ENTAS2	0x84 / 0x04		Enter activity state (direct and broadcast)
ENTAS3	0x85 / 0x05		Enter activity state (direct and broadcast)
RSTDAA	0x86 / 0x06		Reset the assigned dynamic address (direct and broadcast)
SETMWL	0x89 / 0x08		Define maximum write length during private write (direct and broadcast)
SETMRL	0x8A / 0x09		Define maximum read length during private read (direct and broadcast)
SETNEWDA	0x88		Change dynamic address
GETMWL	0x8B	0x00 0x08 (2 byte)	Get maximum write length during private write
GETMRL	0x8C	0x00 0x10 0x09 (3 byte)	Get maximum read length during private read
GETPID	0x8D	0x02 0x08 0x00 0x6B 0x10 0x0B	Device ID register
GETBCR	0x8E	0x07 (1 byte)	Bus characteristics register
GETDCR	0x8F	0x00	MIPI I3C SM device characteristics register
GETSTATUS	0x90	0x00 0x00 (2 byte)	Status register
GETMXDS	0x94	0x00 0x38 (2 byte)	Return max data speed ⁽¹⁾

1. Bits[5:3] are set to 111, which indicates that T_{sco} is greater than 12 nsec. To calculate the effective bus frequency, T_{sco} should be used together with line capacitance, number of slaves and stubs (if present).

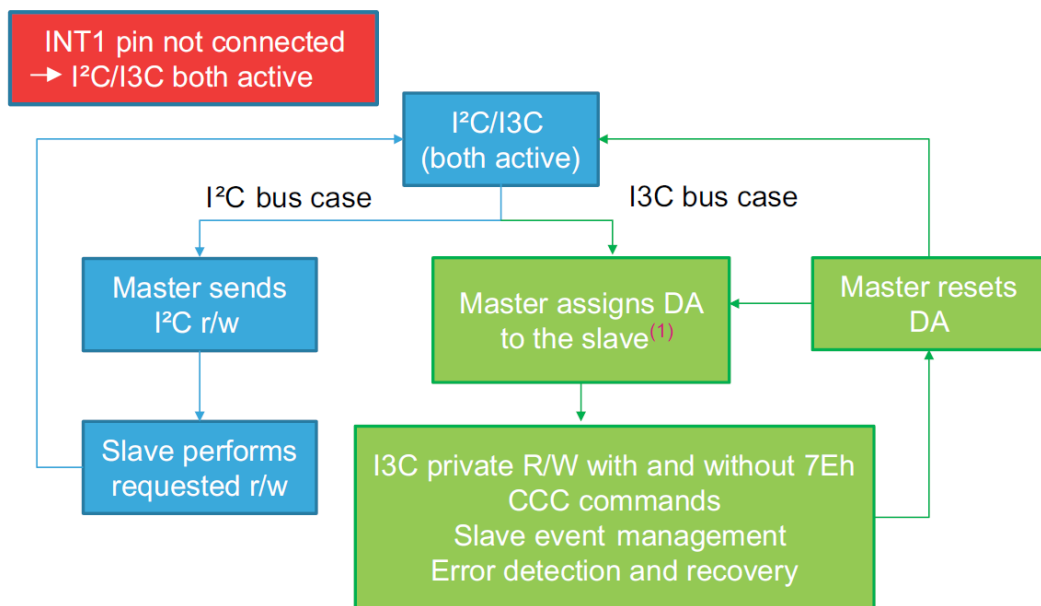
5.3 I²C/I³C coexistence in ASM330LHHX

In the ASM330LHHX, the SDA and SCL lines are common to both I²C and I³C. The I²C bus requires antispikes filters on the SDA and SCL pins that are not compatible with I³C timing.

The device can be connected to both I²C and I³C or only to the I³C bus depending on the connection of the INT1 pin when the device is powered up:

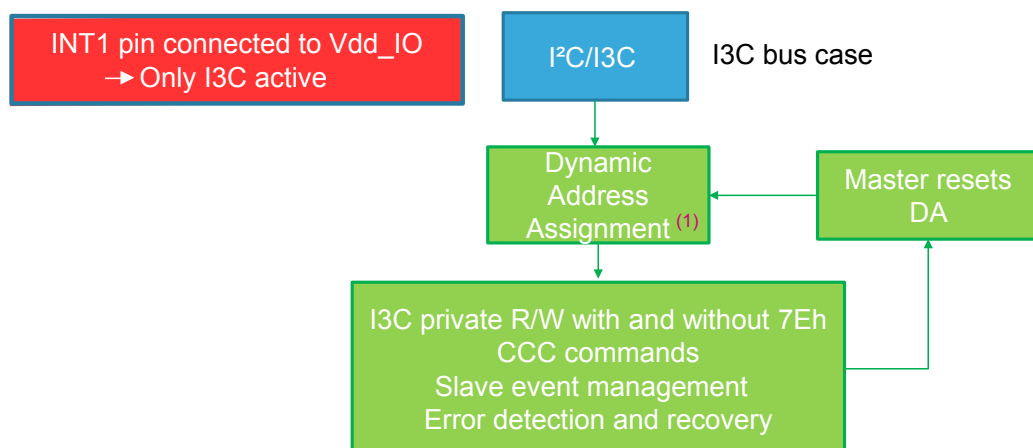
- INT1 pin floating (internal pull-down): both I²C/I³C active, see Figure 14
- INT1 pin connected to Vdd_IO: only I³C active, see Figure 15

Figure 14. I²C and I³C both active (INT1 pin not connected)



1. Address assignment (DAA or ENTDA) must be performed with I²C fast mode plus timing. When the slave is addressed, the I²C slave is disabled and the timing is compatible with I³C specifications.

Figure 15. Only I³C active (INT1 pin connected to Vdd_IO)



1. When the slave is I³C only, the I²C slave is always disabled. The address can be assigned using I³C SDR timing.

5.4 Master I²C interface

If the ASM330LHHX is configured in mode 2, a master I²C line is available. The master serial interface is mapped to the following dedicated pins.

Table 17. Master I²C pin details

Pin name	Pin description
MSCL	I ² C serial clock master
MSDA	I ² C serial data master
MDRDY	I ² C master external synchronization signal

6 Functionality

6.1 Operating modes

In the ASM330LHHX, the accelerometer and the gyroscope can be turned on/off independently of each other and are allowed to have different ODRs and power modes.

The ASM330LHHX has three operating modes available:

- Only accelerometer active and gyroscope in power-down or sleep mode
- Only gyroscope active and accelerometer in power-down
- Both accelerometer and gyroscope sensors active with independent ODR

The accelerometer is activated from power-down by writing ODR_XL[3:0] in **CTRL1_XL (10h)** while the gyroscope is activated from power-down by writing ODR_G[3:0] in **CTRL2_G (11h)**. For combo mode the ODRs are totally independent.

Note: *If the accelerometer is to be activated in high-performance operating mode while the gyroscope is already running (that is, the gyroscope is not in power-down mode), proceed as follows:*

1. *Disable the accelerometer high-performance operating mode (set the XL_HM_MODE bit to 1 in the CTRL6_C (15h) register).*
2. *Write the CTRL1_XL (10h) register to 50h.*
3. *Read the OUTZ_H_A (2Dh) register to clear the XLDA bit in the STATUS_REG (1Eh) register.*
4. *Wait the duration of 1/ODR_XL or wait until the XLDA bit in the STATUS_REG (1Eh) register becomes equal to 1.*
5. *Enable the accelerometer high-performance operating mode (set the XL_HM_MODE bit to 0 in the CTRL6_C (15h) register).*
6. *Write the CTRL1_XL (10h) register to the desired value.*

6.2 Gyroscope power modes

In the ASM330LHHX, the gyroscope can be configured in two different operating modes: low-power and high-performance mode. The operating mode selected depends on the value of the G_HM_MODE bit in **CTRL7_G (16h)**. If G_HM_MODE is set to 0, high-performance mode is valid for all ODRs (from 12.5 Hz up to 6667 Hz).

To enable low-power mode, the G_HM_MODE bit has to be set to 1. Low-power mode is available for ODRs equal to 12.5 Hz, 26 Hz, 52 Hz, 104 Hz and 208 Hz.

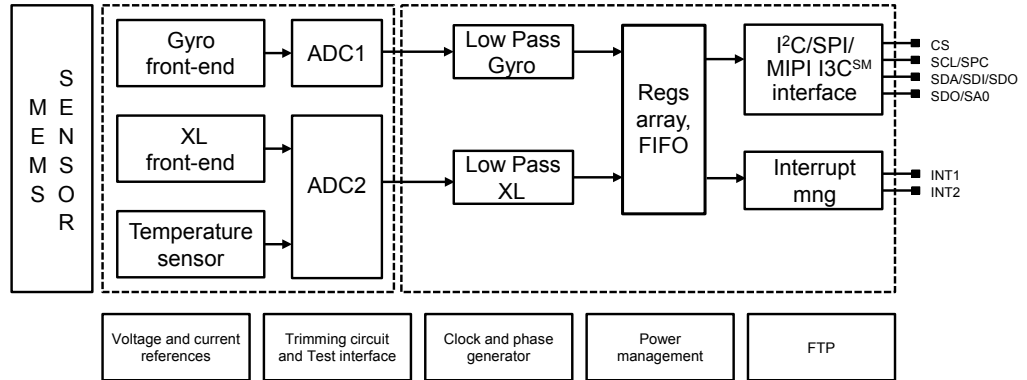
6.3 Accelerometer power modes

In the ASM330LHHX, the accelerometer can be configured in two different operating modes: low-power and high-performance mode. The operating mode selected depends on the value of the XL_HM_MODE bit in **CTRL6_C (15h)**. If XL_HM_MODE is set to 0, high-performance mode is valid for all ODRs (from 12.5 Hz up to 6667 Hz).

To enable low-power mode, the XL_HM_MODE bit has to be set to 1. Low-power mode is available for ODRs equal to 1.6 Hz, 12.5 Hz, 26 Hz, 52 Hz, 104 Hz and 208 Hz.

6.4 Block diagram of filters

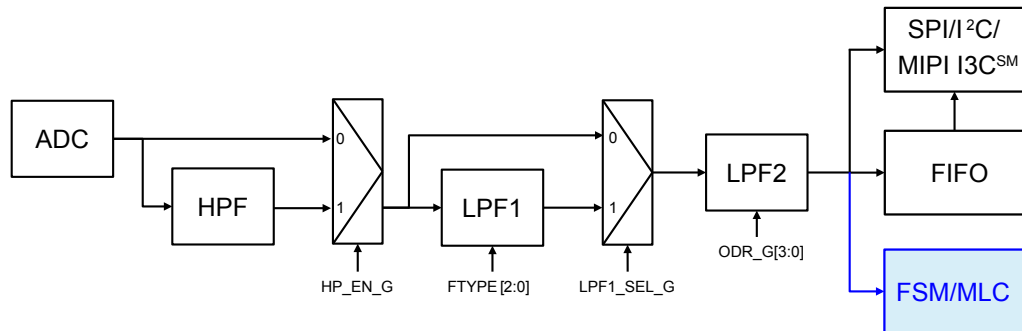
Figure 16. Block diagram of filters



6.4.1 Block diagram of the gyroscope filter

The gyroscope filtering chain appears below.

Figure 17. Gyroscope filtering chain



The gyroscope ODR is selectable from 12.5 Hz up to 6667 Hz. A low-pass filter (LPF1) is available, for more details about the filter characteristics see [Table 59. Gyroscope LPF1 bandwidth selection](#). The digital LPF2 filter cannot be configured by the user and its cutoff frequency depends on the selected gyroscope ODR, as indicated in the following table.

Data can be acquired from the output registers and FIFO.

Table 18. Gyroscope LPF2 bandwidth selection

Gyroscope ODR [Hz]	LPF2 cutoff [Hz]
12.5	4.3
26	8.3
52	16.7
104	33
208	67
417	133
833	267
1667	539
3333	1137
6667	3333

6.4.2 Block diagrams of the accelerometer filters

In the ASM330LHHX, the filtering chain for the accelerometer part is composed of the following:

- Digital filter (LPF1)
- Composite filter

Details of the block diagram appear in the following figure.

Figure 18. Accelerometer chain

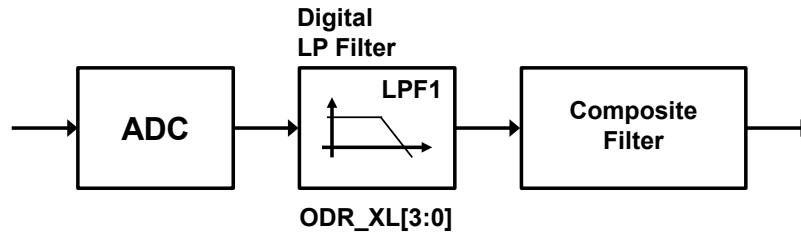
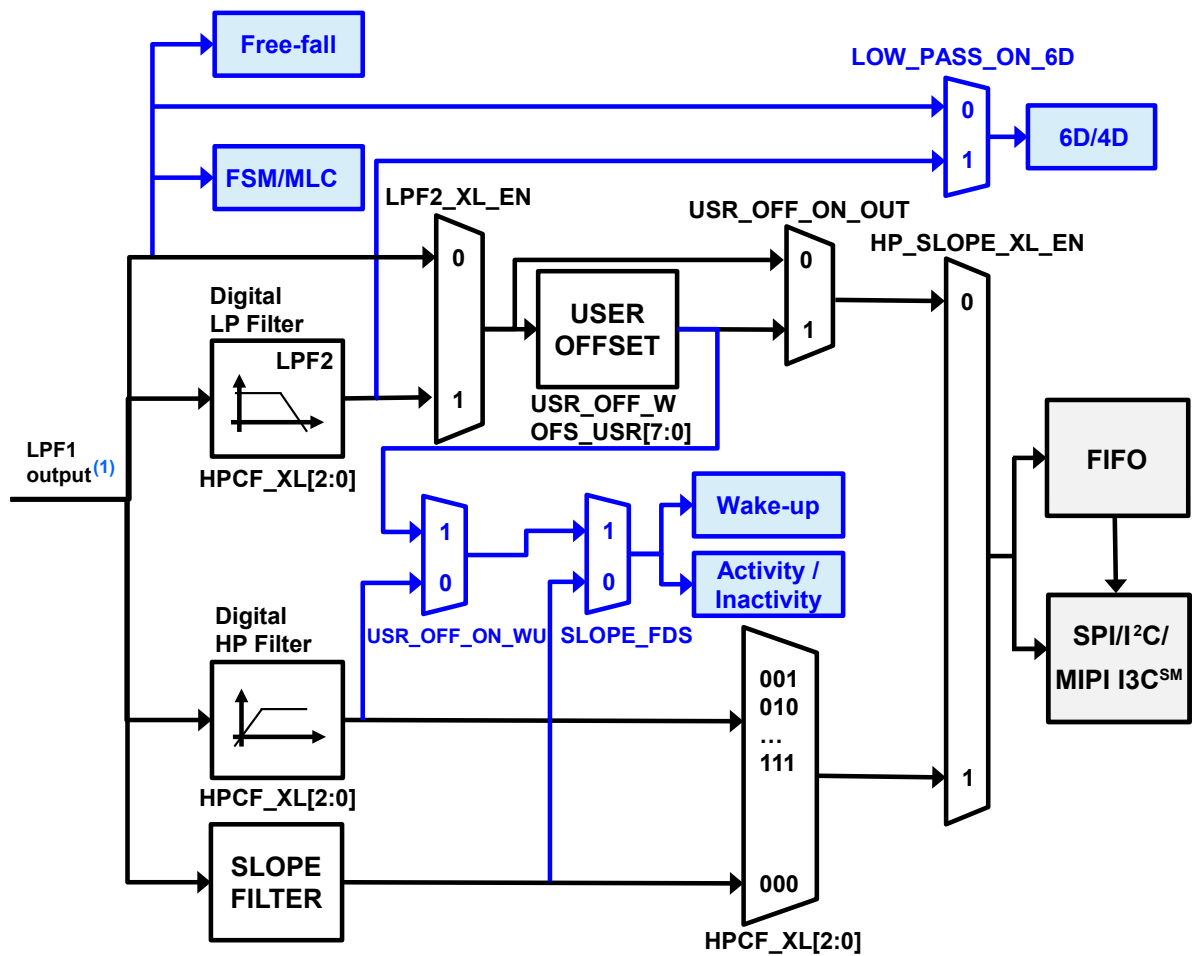


Figure 19. Accelerometer composite filter



1. The cutoff value of the LPF1 output is $ODR/2$ when the accelerometer is in high-performance mode and ODR up to 833 Hz. This value is equal to 780 Hz when the accelerometer is in low-power mode.

6.5 FIFO

The presence of a FIFO allows consistent power saving for the system since the host processor does not need continuously poll data from the sensor, but it can wake up only when needed and burst the significant data out from the FIFO.

The ASM330LHHX embeds 3 KB of data in FIFO to store the following data:

- Gyroscope
- Accelerometer
- External sensors (up to four)
- Timestamp
- Temperature

Writing data in the FIFO can be configured to be triggered by the:

- Accelerometer / gyroscope data-ready signal
- Sensor hub data-ready signal

The applications have maximum flexibility in choosing the rate of batching for physical sensors with FIFO-dedicated configurations: accelerometer, gyroscope, and temperature sensor batch rates can be selected by the user. Writing external sensor data in FIFO can be triggered by the accelerometer data-ready signal or by an external sensor interrupt. It is possible to select decimation for timestamp batching in FIFO with a factor of 1, 8, or 32.

The reconstruction of a FIFO stream is a simple task thanks to the FIFO_DATA_OUT_TAG byte that allows recognizing the meaning of a word in FIFO.

FIFO allows correct reconstruction of the timestamp information for each sensor stored in FIFO. If a change in the ODR or BDR (batch data rate) configuration is performed, the application can correctly reconstruct the timestamp and know exactly when the change was applied without disabling FIFO batching. FIFO stores information of the new configuration and timestamp in which the change was applied in the device.

The programmable FIFO watermark threshold can be set in FIFO_CTRL1 (07h) and FIFO_CTRL2 (08h) using the WTM[8:0] bits. To monitor the FIFO status, dedicated registers (FIFO_STATUS1 (3Ah), FIFO_STATUS2 (3Bh)) can be read to detect FIFO overrun events, FIFO full status, FIFO empty status, FIFO watermark status, and the number of unread samples stored in the FIFO. To generate dedicated interrupts on the INT1 and INT2 pins of these status events, the configuration can be set in INT1_CTRL (0Dh) and INT2_CTRL (0Eh).

The FIFO buffer can be configured according to six different modes:

- Bypass mode
- FIFO mode
- Continuous mode
- Continuous-to-FIFO mode
- Bypass-to-continuous mode
- Bypass-to-FIFO mode

Each mode is selected by the FIFO_MODE_[2:0] bits in the FIFO_CTRL4 (0Ah) register.

6.5.1 Bypass mode

In bypass mode (FIFO_CTRL4 (0Ah)(FIFO_MODE_[2:0] = 000), the FIFO is not operational and it remains empty. Bypass mode is also used to reset the FIFO when in FIFO mode.

6.5.2 FIFO mode

In FIFO mode (**FIFO_CTRL4 (0Ah)**(**FIFO_MODE_[2:0] = 001**) data from the output channels are stored in the FIFO until it is full.

To reset FIFO content, bypass mode should be selected by writing **FIFO_CTRL4 (0Ah)**(**FIFO_MODE_[2:0]**) to 000. After this reset command, it is possible to restart FIFO mode by writing **FIFO_CTRL4 (0Ah)** (**FIFO_MODE_[2:0]**) to 001.

The FIFO buffer memorizes up to 3 KB of data but the depth of the FIFO can be resized by setting the **WTM[8:0]** bits in **FIFO_CTRL1 (07h)** and **FIFO_CTRL2 (08h)**. If the **STOP_ON_WTM** bit in **FIFO_CTRL2 (08h)** is set to 1, FIFO depth is limited up to the **WTM[8:0]** bits in **FIFO_CTRL1 (07h)** and **FIFO_CTRL2 (08h)**.

6.5.3 Continuous mode

Continuous mode (**FIFO_CTRL4 (0Ah)**(**FIFO_MODE_[2:0] = 110**) provides a continuous FIFO update: as new data arrives, the older data is discarded.

A FIFO threshold flag **FIFO_STATUS2 (3Bh)**(**FIFO_WTM_IA**) is asserted when the number of unread samples in FIFO is greater than or equal to **FIFO_CTRL1 (07h)** and **FIFO_CTRL2 (08h)** (**WTM[8:0]**).

It is possible to route the **FIFO_WTM_IA** flag to the **INT1** pin by writing in register **INT1_CTRL (0Dh)** (**INT1_FIFO_TH**) = 1 or to the **INT2** pin by writing in register **INT2_CTRL (0Eh)**(**INT2_FIFO_TH**) = 1.

A full-flag interrupt can be enabled, **INT1_CTRL (0Dh)**(**INT1_FIFO_FULL**) = 1 or **INT2_CTRL (0Eh)** (**INT2_FIFO_FULL**) = 1, in order to indicate FIFO saturation and eventually read its content all at once.

If an overrun occurs, at least one of the oldest samples in FIFO has been overwritten and the **FIFO_OVR_IA** flag in **FIFO_STATUS2 (3Bh)** is asserted.

In order to empty the FIFO before it is full, it is also possible to pull from FIFO the number of unread samples available in **FIFO_STATUS1 (3Ah)** and **FIFO_STATUS2 (3Bh)**(**DIFF_FIFO_[9:0]**).

6.5.4 Continuous-to-FIFO mode

In continuous-to-FIFO mode (**FIFO_CTRL4 (0Ah)**(**FIFO_MODE_[2:0] = 011**), FIFO behavior changes according to the trigger event detected in one of the following interrupt events:

- Wake-up
- Free-fall
- D6D

When the selected trigger bit is equal to 1, FIFO operates in FIFO mode.

When the selected trigger bit is equal to 0, FIFO operates in continuous mode.

6.5.5 Bypass-to-continuous mode

In bypass-to-continuous mode (**FIFO_CTRL4 (0Ah)**(**FIFO_MODE_[2:0] = 100**), data measurement storage inside FIFO operates in continuous mode when selected triggers are equal to 1, otherwise FIFO content is reset (bypass mode).

FIFO behavior changes according to the trigger event detected in one of the following interrupt events:

- Wake-up
- Free-fall
- D6D

6.5.6 Bypass-to-FIFO mode

In bypass-to-FIFO mode (**FIFO_CTRL4 (0Ah)**(**FIFO_MODE_[2:0] = 111**), data measurement storage inside FIFO operates in FIFO mode when selected triggers are equal to 1, otherwise FIFO content is reset (bypass mode).

FIFO behavior changes according to the trigger event detected in one of the following interrupt events:

- Wake-up
- Free-fall
- D6D

6.5.7 FIFO reading procedure

The data stored in FIFO are accessible from dedicated registers and each FIFO word is composed of 7 bytes: one tag byte (`FIFO_DATA_OUT_TAG` (78h), in order to identify the sensor, and 6 bytes of fixed data (`FIFO_DATA_OUT` registers from (79h) to (7Eh)).

The `DIFF_FIFO_[9:0]` field in the `FIFO_STATUS1` (3Ah) and `FIFO_STATUS2` (3Bh) registers contains the number of words (1 byte TAG + 6 bytes DATA) collected in FIFO.

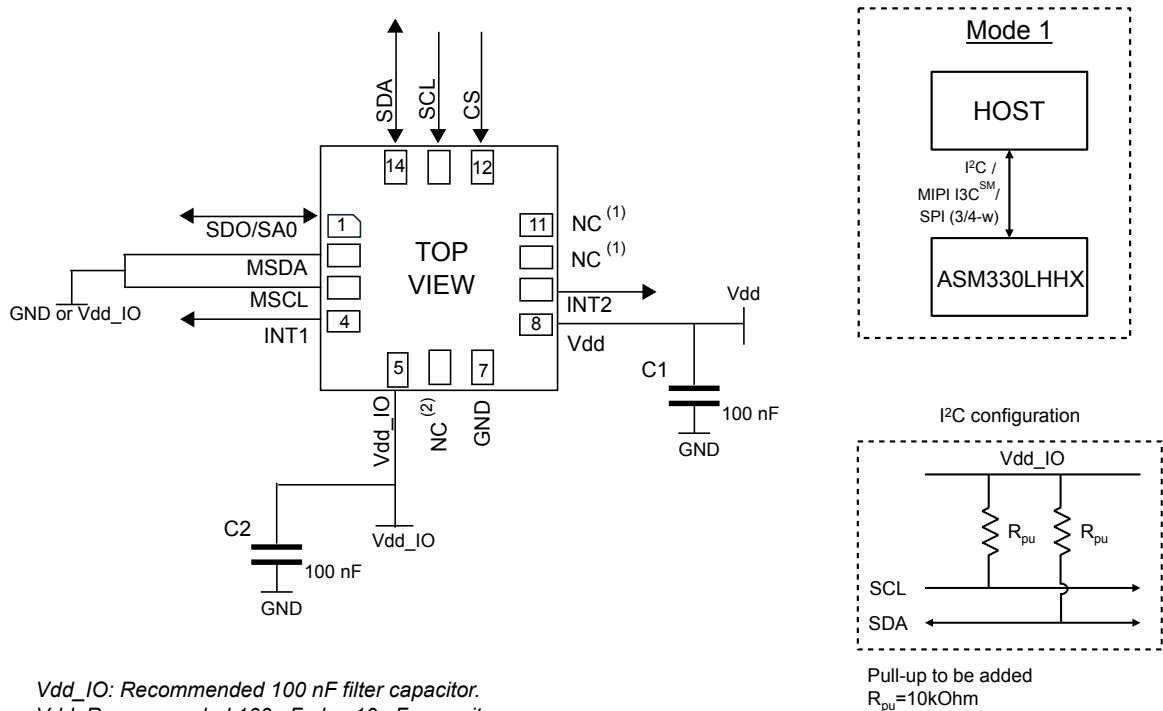
In addition, it is possible to configure a counter of the batch events of accelerometer or gyroscope sensors. The flag `COUNTER_BDR_IA` in `FIFO_STATUS2` (3Bh) alerts that the counter reaches a selectable threshold (`CNT_BDR_TH_[10:0]` field in `COUNTER_BDR_REG1` (0Bh) and `COUNTER_BDR_REG2` (0Ch)). This allows triggering the reading of FIFO with the desired latency of one single sensor. The sensor is selectable using the `TRIG_COUNTER_BDR` bit in `COUNTER_BDR_REG1` (0Bh). As for the other FIFO status events, the flag `COUNTER_BDR_IA` can be routed on the INT1 or INT2 pins by asserting the corresponding bits (`INT1_CNT_BDR` of `INT1_CTRL` (0Dh) and `INT2_CNT_BDR` of `INT2_CTRL` (0Eh)).

Meta information about accelerometer and gyroscope sensor configuration changes can be managed by enabling the `ODR_CHG_EN` bit in `FIFO_CTRL2` (08h).

7 Application hints

7.1 ASM330LHHX electrical connections in mode 1

Figure 20. ASM330LHHX electrical connections in mode 1



1. Leave pin electrically unconnected and soldered to PCB.
2. Connect to Vdd_IO or GND or leave unconnected and soldered to PCB.

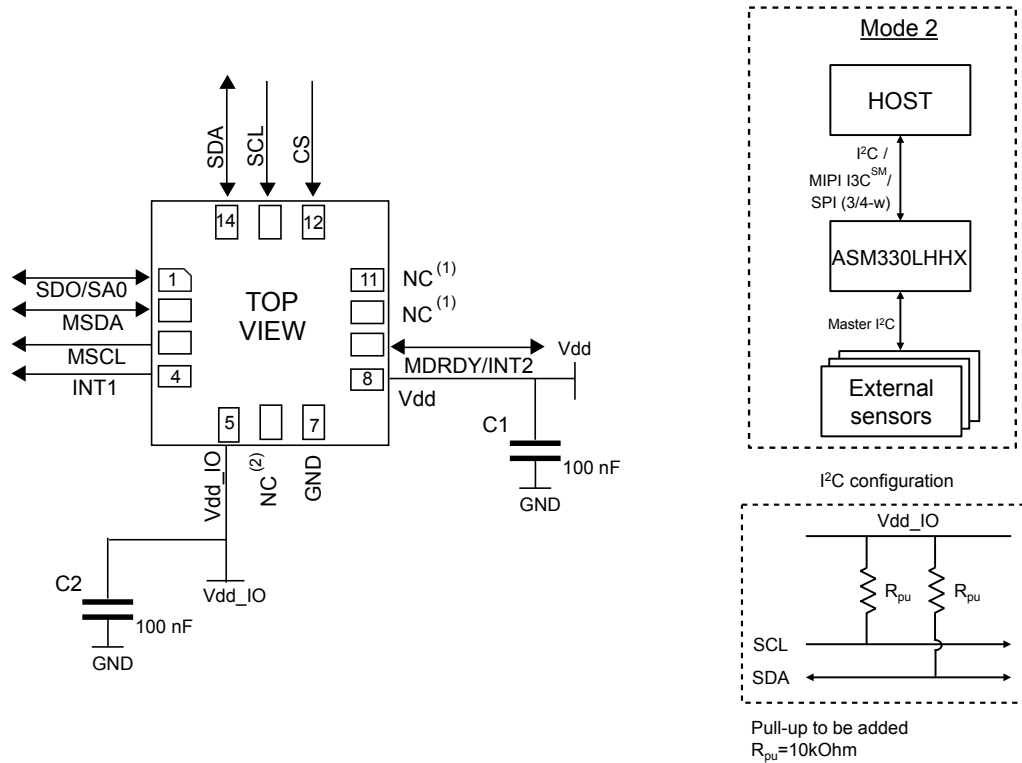
The device core is supplied through the Vdd line. Power supply decoupling capacitors (C1, C2 = 100 nF ceramic) should be placed as near as possible to the supply pin of the device (common design practice).

The functionality of the device and the measured acceleration/angular rate data is selectable and accessible through the SPI/I²C/MIPI I3CSM primary interface.

The functions, the threshold and the timing of the two interrupt pins for each sensor can be completely programmed by the user through the SPI/I²C/MIPI I3CSM primary interface.

7.2 ASM330LHHX electrical connections in mode 2

Figure 21. ASM330LHHX electrical connections in mode 2



1. Leave pin electrically unconnected and soldered to PCB.
2. Connect to Vdd_IO or GND or leave unconnected and soldered to PCB.

The device core is supplied through the Vdd line. Power supply decoupling capacitors (C1, C2 = 100 nF ceramic) should be placed as near as possible to the supply pin of the device (common design practice).

The functionality of the device and the measured acceleration/angular rate data is selectable and accessible through the SPI/I²C/MIPI I3CSM primary interface.

The functions, the threshold and the timing of the two interrupt pins for each sensor can be completely programmed by the user through the SPI/I²C/MIPI I3CSM primary interface.

Table 19. Internal pin status

Pin #	Name	Mode 1 function	Mode 2 function	Pin status mode 1	Pin status mode 2
1	SDO	SPI 4-wire interface serial data output (SDO)	SPI 4-wire interface serial data output (SDO)	Default: input without pull-up Pull-up is enabled if bit SDO_PU_EN = 1 in register PIN_CTRL (02h).	Default: input without pull-up Pull-up is enabled if bit SDO_PU_EN = 1 in register PIN_CTRL (02h).
	SA0	I ² C least significant bit of the device address (SA0) MIPI I3C SM least significant bit of the static address (SA0)	I ² C least significant bit of the device address (SA0) MIPI I3C SM least significant bit of the static address (SA0)		
2	MSDA	Connect to Vdd_IO or GND	I ² C master serial data (MSDA)	Default: input without pull-up Pull-up is enabled if bit SHUB_PU_EN = 1 in register MASTER_CONFIG (14h). (see Note to enable pull-up)	Default: input without pull-up Pull-up is enabled if bit SHUB_PU_EN = 1 in register MASTER_CONFIG (14h). (see Note to enable pull-up)
3	MSCL	Connect to Vdd_IO or GND	I ² C master serial clock (MSCL)	Default: input without pull-up Pull-up is enabled if bit SHUB_PU_EN = 1 in register MASTER_CONFIG (14h). (see Note to enable pull-up)	Default: input without pull-up Pull-up is enabled if bit SHUB_PU_EN = 1 in register MASTER_CONFIG (14h). (see Note to enable pull-up)
4	INT1	Programmable interrupt 1. If device is used as MIPI I3C SM pure slave, this pin must be set to 1.	Programmable interrupt 1. If device is used as MIPI I3C SM pure slave, this pin must be set to 1.	Default: input with pull-down ⁽¹⁾ Pull-down is disabled if bit PD_DIS_INT1 = 1 in register I3C_BUS_AVB (62h).	Default: input with pull-down ⁽¹⁾ Pull-down is disabled if bit PD_DIS_INT1 = 1 in register I3C_BUS_AVB (62h).
5	Vdd_IO	Power supply for I/O pins	Power supply for I/O pins		
6	NC	Connect to Vdd_IO or GND or leave unconnected	Connect to Vdd_IO or GND or leave unconnected		
7	GND	0 V supply	0 V supply		
8	Vdd	Power supply	Power supply		
9	INT2	Programmable interrupt 2 (INT2) / Data enabled (DEN)	Programmable interrupt 2 (INT2) / Data enabled (DEN) I ² C master external synchronization signal (MDRDY)	Default: output forced to ground	Default: output forced to ground
10	NC	Leave unconnected	Leave unconnected		
11	NC	Leave unconnected	Leave unconnected		
12	CS	I ² C and MIPI I3C SM /SPI mode selection (1: SPI idle mode / I ² C and MIPI I3C SM communication enabled; 0: SPI communication mode / I ² C and MIPI I3C SM disabled)	I ² C and MIPI I3C SM /SPI mode selection (1: SPI idle mode / I ² C and MIPI I3C SM communication enabled; 0: SPI communication mode / I ² C and MIPI I3C SM disabled)	Default: input with pull-up Pull-up is disabled if bit I2C_disable = 1 in register CTRL4_C (13h) and I3C_disable = 1 in register CTRL9_XL (18h).	Default: input with pull-up Pull-up is disabled if bit I2C_disable = 1 in register CTRL4_C (13h) and I3C_disable = 1 in register CTRL9_XL (18h).
13	SCL	I ² C/MIPI I3C SM serial clock (SCL) / SPI serial port clock (SPC)	I ² C/MIPI I3C SM serial clock (SCL) / SPI serial port clock (SPC)	Default: input without pull-up	Default: input without pull-up
14	SDA	I ² C/MIPI I3C SM serial data (SDA) / SPI serial data input (SDI) / 3-wire interface serial data output (SDO)	I ² C/MIPI I3C SM serial data (SDA) / SPI serial data input (SDI) / 3-wire interface serial data output (SDO)	Default: input without pull-up	Default: input without pull-up

1. INT1 must be set to 0 or left unconnected during power-on if the I²C/SPI interfaces are used.



Internal pull-up value is from 30 kΩ to 50 kΩ, depending on Vdd_IO.

Note:

The procedure to enable the pull-up on pins 2 and 3 is as follows:

- 1. From the primary I²C/I³C/SPI interface: write 40h in register at address 01h (enable access to the sensor hub registers)*
- 2. From the primary I²C/I³C/SPI interface: write 08h in register at address 14h (enable the pull-up on pins 2 and 3)*
- 3. From the primary I²C/I³C/SPI interface: write 00h in register at address 01h (disable access to the sensor hub registers)*



8 Register map

The table given below provides a list of the 8/16-bit registers embedded in the device and the corresponding addresses.

Table 20. Registers address map

Name	Type	Register address		Default	Comment
		Hex	Binary		
FUNC_CFG_ACCESS	R/W	01	00000001	00000000	
PIN_CTRL	R/W	02	00000010	00111111	
RESERVED	-	03-06			Reserved
FIFO_CTRL1	R/W	07	00000111	00000000	
FIFO_CTRL2	R/W	08	00001000	00000000	
FIFO_CTRL3	R/W	09	00001001	00000000	
FIFO_CTRL4	R/W	0A	00001010	00000000	
COUNTER_BDR_REG1	R/W	0B	00001011	00000000	
COUNTER_BDR_REG2	R/W	0C	00001100	00000000	
INT1_CTRL	R/W	0D	00001101	00000000	
INT2_CTRL	R/W	0E	00001110	00000000	
WHO_AM_I	R	0F	00001111	01101011	
CTRL1_XL	R/W	10	00010000	00000000	
CTRL2_G	R/W	11	00010001	00000000	
CTRL3_C	R/W	12	00010010	00000100	
CTRL4_C	R/W	13	00010011	00000000	
CTRL5_C	R/W	14	00010100	00000000	
CTRL6_C	R/W	15	00010101	00000000	
CTRL7_G	R/W	16	00010110	00000000	
CTRL8_XL	R/W	17	00010111	00000000	
CTRL9_XL	R/W	18	00011000	11100000	
CTRL10_C	R/W	19	00011001	00000000	
ALL_INT_SRC	R	1A	00011010	output	
WAKE_UP_SRC	R	1B	00011011	output	
RESERVED	-	1C			Reserved
D6D_SRC	R	1D	00011101	output	
STATUS_REG	R	1E	00011110	output	
RESERVED	-	1F			Reserved
OUT_TEMP_L	R	20	00100000	output	
OUT_TEMP_H	R	21	00100001	output	
OUTX_L_G	R	22	00100010	output	
OUTX_H_G	R	23	00100011	output	
OUTY_L_G	R	24	00100100	output	
OUTY_H_G	R	25	00100101	output	
OUTZ_L_G	R	26	00100110	output	

Name	Type	Register address		Default	Comment
		Hex	Binary		
OUTZ_H_G	R	27	00100111	output	
OUTX_L_A	R	28	00101000	output	
OUTX_H_A	R	29	00101001	output	
OUTY_L_A	R	2A	00101010	output	
OUTY_H_A	R	2B	00101011	output	
OUTZ_L_A	R	2C	00101100	output	
OUTZ_H_A	R	2D	00101101	output	
RESERVED	-	2E-34			Reserved
EMB_FUNC_STATUS_MAINPAGE	R	35	00110101	output	
FSM_STATUS_A_MAINPAGE	R	36	00110110	output	
FSM_STATUS_B_MAINPAGE	R	37	00110111	output	
MLC_STATUS_MAINPAGE	R	38	00111000	output	
STATUS_MASTER_MAINPAGE	R	39	00111001	output	
FIFO_STATUS1	R	3A	00111010	output	
FIFO_STATUS2	R	3B	00111011	output	
RESERVED	-	3C-3F			Reserved
TIMESTAMP0_REG	R	40	01000000	output	
TIMESTAMP1_REG	R	41	01000001	output	
TIMESTAMP2_REG	R	42	01000010	output	
TIMESTAMP3_REG	R	43	01000011	output	
RESERVED	-	44-55			Reserved
INT_CFG0	R/W	56	01010110	00000000	
RESERVED	-	57			Reserved
INT_CFG1	R/W	58	01011000	00000000	
THS_6D	R/W	59	01011001	00000000	
RESERVED	-	5A			Reserved
WAKE_UP_THS	R/W	5B	01011011	00000000	
WAKE_UP_DUR	R/W	5C	01011100	00000000	
FREE_FALL	R/W	5D	01011101	00000000	
MD1_CFG	R/W	5E	01011110	00000000	
MD2_CFG	R/W	5F	01011111	00000000	
RESERVED	-	60-61		00000000	Reserved
I3C_BUS_AVB	R/W	62	01100010	00000000	
INTERNAL_FREQ_FINE	R	63	01100011	output	
RESERVED	-	64-72			Reserved
X_OFS_USR	R/W	73	01110011	00000000	
Y_OFS_USR	R/W	74	01110100	00000000	
Z_OFS_USR	R/W	75	01110101	00000000	
RESERVED	-	76-77			Reserved
FIFO_DATA_OUT_TAG	R	78	01111000	output	

Name	Type	Register address		Default	Comment
		Hex	Binary		
FIFO_DATA_OUT_X_L	R	79	01111001	output	
FIFO_DATA_OUT_X_H	R	7A	01111010	output	
FIFO_DATA_OUT_Y_L	R	7B	01111011	output	
FIFO_DATA_OUT_Y_H	R	7C	01111100	output	
FIFO_DATA_OUT_Z_L	R	7D	01111101	output	
FIFO_DATA_OUT_Z_H	R	7E	01111110	output	

Reserved registers must not be changed. Writing to those registers may cause permanent damage to the device. The content of the registers that are loaded at boot should not be changed. They contain the factory calibration values. Their content is automatically restored when the device is powered up.

9 Register description

The device contains a set of registers which are used to control its behavior and to retrieve linear acceleration, angular rate and temperature data. The register addresses, made up of 7 bits, are used to identify them and to write data through the serial interface.

9.1 FUNC_CFG_ACCESS (01h)

Enable embedded functions register (R/W)

Table 21. FUNC_CFG_ACCESS register

FUNC_CFG_ACCESS	SHUB_REG_ACCESS	0 ⁽¹⁾	0 ⁽¹⁾	0 ⁽¹⁾	0 ⁽¹⁾	0 ⁽¹⁾	0 ⁽¹⁾
-----------------	-----------------	------------------	------------------	------------------	------------------	------------------	------------------

1. This bit must be set to 0 for the correct operation of the device.

Table 22. FUNC_CFG_ACCESS register description

FUNC_CFG_ACCESS	Enables access to the embedded functions configuration registers. Default value: 0 ⁽¹⁾
SHUB_REG_ACCESS	Enables access to the sensor hub (I ² C master) registers. Default value: 0 ⁽²⁾

1. Details concerning the embedded functions configuration registers are available in [Section 10 Embedded functions register mapping](#) and [Section 11 Embedded functions register description](#).
2. Details concerning the sensor hub registers are available in [Section 14 Sensor hub register mapping](#) and [Section 15 Sensor hub register description](#).

9.2 PIN_CTRL (02h)

Enable SDO pin pull-up register (R/W)

Table 23. PIN_CTRL register

0 ⁽¹⁾	SDO_PU_EN	1 ⁽²⁾	1 ⁽²⁾	1 ⁽²⁾	1 ⁽²⁾	1 ⁽²⁾	1 ⁽²⁾
------------------	-----------	------------------	------------------	------------------	------------------	------------------	------------------

1. This bit must be set to 0 for the correct operation of the device.
2. This bit must be set to 1 for the correct operation of the device.

Table 24. PIN_CTRL register description

SDO_PU_EN	Enables pull-up on SDO pin. Default value: 0 (0: SDO pin pull-up disconnected (default); 1: SDO pin with pull-up)
-----------	--

9.3 FIFO_CTRL1 (07h)

FIFO control register 1 (R/W)

Table 25. FIFO_CTRL1 register

WTM7	WTM6	WTM5	WTM4	WTM3	WTM2	WTM1	WTM0
------	------	------	------	------	------	------	------

Table 26. FIFO_CTRL1 register description

WTM[7:0]	FIFO watermark threshold, in conjunction with WTM8 in FIFO_CTRL2 (08h) 1 LSB = 1 sensor (6 bytes) + TAG (1 byte) written in FIFO Watermark flag rises when the number of bytes written in the FIFO is greater than or equal to the threshold level.
----------	---

9.4 FIFO_CTRL2 (08h)

FIFO control register 2 (R/W)

Table 27. FIFO_CTRL2 register

STOP_ON_WTM	0 ⁽¹⁾	0 ⁽¹⁾	ODRCHG_EN	0 ⁽¹⁾	0 ⁽¹⁾	0 ⁽¹⁾	WTM8
-------------	------------------	------------------	-----------	------------------	------------------	------------------	------

1. This bit must be set to 0 for the correct operation of the device.

Table 28. FIFO_CTRL2 register

STOP_ON_WTM	Sensing chain FIFO stop values memorization at threshold level (0: FIFO depth is not limited (default); 1: FIFO depth is limited to the threshold level, defined in FIFO_CTRL1 (07h) and FIFO_CTRL2 (08h)
ODRCHG_EN	Enables ODR CHANGE virtual sensor to be batched in FIFO
WTM8	FIFO watermark threshold, in conjunction with WTM[7:0] in FIFO_CTRL1 (07h) 1 LSB = 1 sensor (6 bytes) + TAG (1 byte) written in FIFO Watermark flag rises when the number of bytes written in FIFO is greater than or equal to the threshold level.

9.5 FIFO_CTRL3 (09h)

FIFO control register 3 (R/W)

Table 29. FIFO_CTRL3 register

BDR_GY_3	BDR_GY_2	BDR_GY_1	BDR_GY_0	BDR_XL_3	BDR_XL_2	BDR_XL_1	BDR_XL_0
----------	----------	----------	----------	----------	----------	----------	----------

Table 30. FIFO_CTRL3 register description

BDR_GY_[3:0]	<p>Selects batch data rate (write frequency in FIFO) for gyroscope data. (0000: gyroscope not batched in FIFO (default); 0001: 12.5 Hz; 0010: 26 Hz; 0011: 52 Hz; 0100: 104 Hz; 0101: 208 Hz; 0110: 417 Hz; 0111: 833 Hz; 1000: 1667 Hz; 1001: 3333 Hz; 1010: 6667 Hz; 1011: 6.5 Hz; 1100-1111: reserved)</p>
BDR_XL_[3:0]	<p>Selects batch data rate (write frequency in FIFO) for accelerometer data. (0000: accelerometer not batched in FIFO (default); 0001: 12.5 Hz; 0010: 26 Hz; 0011: 52 Hz; 0100: 104 Hz; 0101: 208 Hz; 0110: 417 Hz; 0111: 833 Hz; 1000: 1667 Hz; 1001: 3333 Hz; 1010: 6667 Hz; 1011: 1.6 Hz; 1100-1111: reserved)</p>

9.6 FIFO_CTRL4 (0Ah)

FIFO control register 4 (R/W)

Table 31. FIFO_CTRL4 register

DEC_TS_BATCH_1	DEC_TS_BATCH_0	ODR_T_BATCH_1	ODR_T_BATCH_0	0 ⁽¹⁾	FIFO_MODE2	FIFO_MODE1	FIFO_MODE0
----------------	----------------	---------------	---------------	------------------	------------	------------	------------

1. This bit must be set to 0 for the correct operation of the device.

Table 32. FIFO_CTRL4 register description

DEC_TS_BATCH_[1:0]	<p>Selects decimation for timestamp batching in FIFO. The write rate is the maximum rate between accelerometer and gyroscope BDR divided by decimation decoder.</p> <p>(00: timestamp not batched in FIFO (default); 01: decimation 1: $\max(\text{BDR_XL}[\text{Hz}], \text{BDR_GY}[\text{Hz}])$ [Hz]; 10: decimation 8: $\max(\text{BDR_XL}[\text{Hz}], \text{BDR_GY}[\text{Hz}])/8$ [Hz]; 11: decimation 32: $\max(\text{BDR_XL}[\text{Hz}], \text{BDR_GY}[\text{Hz}])/32$ [Hz])</p>
ODR_T_BATCH_[1:0]	<p>Selects batch data rate (write frequency in FIFO) for temperature data</p> <p>(00: temperature not batched in FIFO (default); 01: 1.6 Hz; 10: 12.5 Hz; 11: 52 Hz)</p>
FIFO_MODE[2:0]	<p>FIFO mode selection</p> <p>(000: bypass mode: FIFO disabled; 001: FIFO mode: stops collecting data when FIFO is full; 010: reserved; 011: continuous-to-FIFO mode: continuous mode until trigger is deasserted, then FIFO mode; 100: bypass-to-continuous mode: bypass mode until trigger is deasserted, then continuous mode; 101: reserved; 110: continuous mode: if the FIFO is full, the new sample overwrites the older one; 111: bypass-to-FIFO mode: bypass mode until trigger is deasserted, then FIFO mode.)</p>

9.7 COUNTER_BDR_REG1 (0Bh)

Counter batch data rate register 1 (R/W)

Table 33. COUNTER_BDR_REG1 register

dataready_pulsed	RST_COUNTER_BDR	TRIG_COUNTER_BDR	0 ⁽¹⁾	0 ⁽¹⁾	CNT_BDR_TH_10	CNT_BDR_TH_9	CNT_BDR_TH_8
------------------	-----------------	------------------	------------------	------------------	---------------	--------------	--------------

1. This bit must be set to 0 for the correct operation of the device.

Table 34. COUNTER_BDR_REG1 register description

dataready_pulsed	Enables pulsed data-ready mode (0: data-ready latched mode (returns to 0 only after an interface reading) (default); 1: data-ready pulsed mode (the data ready pulses are 75 µs long)
RST_COUNTER_BDR	Resets the internal counter of batch events for a single sensor. This bit is automatically reset to zero if it was set to 1.
TRIG_COUNTER_BDR	Selects the trigger for the internal counter of batch events between the accelerometer and gyroscope. (0: accelerometer batch event; 1: gyroscope batch event)
CNT_BDR_TH_[10:8]	In conjunction with CNT_BDR_TH_[7:0] in COUNTER_BDR_REG2 (0Ch) , sets the threshold for the internal counter of batch events. When this counter reaches the threshold, the counter is reset and the COUNTER_BDR_IA flag in FIFO_STATUS2 (3Bh) is set to 1.

9.8 COUNTER_BDR_REG2 (0Ch)

Counter batch data rate register 2 (R/W)

Table 35. COUNTER_BDR_REG2 register

CNT_BDR_TH_7	CNT_BDR_TH_6	CNT_BDR_TH_5	CNT_BDR_TH_4	CNT_BDR_TH_3	CNT_BDR_TH_2	CNT_BDR_TH_1	CNT_BDR_TH_0
--------------	--------------	--------------	--------------	--------------	--------------	--------------	--------------

Table 36. COUNTER_BDR_REG2 register description

CNT_BDR_TH_[7:0]	In conjunction with CNT_BDR_TH_[10:8] in COUNTER_BDR_REG1 (0Bh) , sets the threshold for the internal counter of batch events. When this counter reaches the threshold, the counter is reset and the COUNTER_BDR_IA flag in FIFO_STATUS2 (3Bh) is set to 1.
------------------	---

9.9 INT1_CTRL (0Dh)

INT1 pin control register (R/W)

Each bit in this register enables a signal to be carried over INT1 when the MIPI I3CSM dynamic address is not assigned (I²C or SPI is used). Some bits can also be used to trigger an IBI (in-band interrupt) when the MIPI I3CSM interface is used. The output of the pin is the OR combination of the signals selected here and in register MD1_CFG (5Eh).

Table 37. INT1_CTRL register

DEN_DRDY_flag	INT1_CNT_BDR	INT1_FIFO_FULL	INT1_FIFO_OVR	INT1_FIFO_TH	INT1_BOOT	INT1_DRDY_G	INT1_DRDY_XL
---------------	--------------	----------------	---------------	--------------	-----------	-------------	--------------

Table 38. INT1_CTRL register description

DEN_DRDY_flag	Sends DEN_DRDY (DEN stamped on sensor data flag) to the INT1 pin.
INT1_CNT_BDR	Enables COUNTER_BDR_IA interrupt on INT1.
INT1_FIFO_FULL	Enables FIFO full flag interrupt on the INT1 pin. It can also be used to trigger an IBI when the MIPI I3C SM interface is used.
INT1_FIFO_OVR	Enables FIFO overrun interrupt on the INT1 pin. It can also be used to trigger an IBI when the MIPI I3C SM interface is used.
INT1_FIFO_TH	Enables FIFO threshold interrupt on the INT1 pin. It can also be used to trigger an IBI when the MIPI I3C SM interface is used.
INT1_BOOT	Enables boot status on INT1 pin.
INT1_DRDY_G	Enables gyroscope data-ready interrupt on the INT1 pin. It can also be used to trigger an IBI when the MIPI I3C SM interface is used.
INT1_DRDY_XL	Enables accelerometer data-ready interrupt on the INT1 pin. It can also be used to trigger an IBI when the MIPI I3C SM interface is used.

9.10 INT2_CTRL (0Eh)

INT2 pin control register (R/W)

Each bit in this register enables a signal to be carried over INT2 when the MIPI I3CSM dynamic address is not assigned (I²C or SPI is used). Some bits can also be used to trigger an IBI when the MIPI I3CSM interface is used. The output of the pin is the OR combination of the signals selected here and in register MD2_CFG (5Fh).

Table 39. INT2_CTRL register

0 ⁽¹⁾	INT2_CNT_BDR	INT2_FIFO_FULL	INT2_FIFO_OVR	INT2_FIFO_TH	INT2_DRDY_TEMP	INT2_DRDY_G	INT2_DRDY_XL
------------------	--------------	----------------	---------------	--------------	----------------	-------------	--------------

1. This bit must be set to 0 for the correct operation of the device.

Table 40. INT2_CTRL register description

INT2_CNT_BDR	Enables COUNTER_BDR_IA interrupt on INT2.
INT2_FIFO_FULL	Enables FIFO full flag interrupt on the INT2 pin.
INT2_FIFO_OVR	Enables FIFO overrun interrupt on the INT2 pin.
INT2_FIFO_TH	Enables FIFO threshold interrupt on the INT2 pin.
INT2_DRDY_TEMP	Enables temperature sensor data-ready interrupt on the INT2 pin. It can also be used to trigger an IBI when the MIPI I3C SM interface is used and INT2_ON_INT1 = 1 in CTRL4_C (13h).
INT2_DRDY_G	Enables gyroscope data-ready interrupt on the INT2 pin.
INT2_DRDY_XL	Enables accelerometer data-ready interrupt on the INT2 pin.

9.11 WHO_AM_I (0Fh)

WHO_AM_I register (R). This is a read-only register. Its value is fixed at 6Bh.

Table 41. Who_Am_I register

0	1	1	0	1	0	1	1
---	---	---	---	---	---	---	---

9.12 CTRL1_XL (10h)

Accelerometer control register 1 (R/W)

Table 42. CTRL1_XL register

ODR_XL3	ODR_XL2	ODR_XL1	ODR_XL0	FS1_XL	FS0_XL	LPF2_XL_EN	0 ⁽¹⁾
---------	---------	---------	---------	--------	--------	------------	------------------

1. This bit must be set to 0 for the correct operation of the device.

Table 43. CTRL1_XL register description

ODR_XL[3:0]	Accelerometer ODR selection (see Table 44)
FS[1:0]_XL	Accelerometer full-scale selection. Default value: 00 (00: ± 2 g; 01: ± 16 g; 10: ± 4 g; 11: ± 8 g)
LPF2_XL_EN	Accelerometer high-resolution selection (0: output from first stage digital filtering selected (default); 1: output from LPF2 second filtering stage selected)

Table 44. Accelerometer ODR register setting

ODR_XL3	ODR_XL2	ODR_XL1	ODR_XL0	ODR selection [Hz] when XL_HM_MODE = 1 in CTRL6_C (15h)	ODR selection [Hz] when XL_HM_MODE = 0 in CTRL6_C (15h)
0	0	0	0	Power-down	Power-down
1	0	1	1	1.6 Hz (low power only)	N.A.
0	0	0	1	12.5 Hz (low power)	12.5 Hz (high performance)
0	0	1	0	26 Hz (low power)	26 Hz (high performance)
0	0	1	1	52 Hz (low power)	52 Hz (high performance)
0	1	0	0	104 Hz (low power)	104 Hz (high performance)
0	1	0	1	208 Hz (low power)	208 Hz (high performance)
0	1	1	0	416 Hz (high performance)	416 Hz (high performance)
0	1	1	1	833 Hz (high performance)	833 Hz (high performance)
1	0	0	0	1667 Hz (high performance)	1667 Hz (high performance)
1	0	0	1	3333 Hz (high performance)	3333 Hz (high performance)
1	0	1	0	6667 Hz (high performance)	6667 Hz (high performance)
1	1	x	x	Reserved	Reserved

9.13 CTRL2_G (11h)

Gyroscope control register 2 (R/W)

Table 45. CTRL2_G register

ODR_G3	ODR_G2	ODR_G1	ODR_G0	FS1_G	FS0_G	FS_125	FS_4000
--------	--------	--------	--------	-------	-------	--------	---------

Table 46. CTRL2_G register description

ODR_G[3:0]	Gyroscope output data rate selection. Default value: 0000 (Refer to Table 47)
FS[1:0]_G	Gyroscope chain full-scale selection (00: ±250 dps; 01: ±500 dps; 10: ±1000 dps; 11: ±2000 dps)
FS_125	Selects gyroscope chain full-scale ±125 dps (0: FS selected through bits FS[1:0]_G; 1: FS set to ±125 dps)
FS_4000	Selects gyroscope chain full-scale ±4000 dps (0: FS selected through bits FS[1:0]_G or FS_125; 1: FS set to ±4000 dps)

Table 47. Gyroscope ODR configuration setting

ODR_G3	ODR_G2	ODR_G1	ODR_G0	ODR selection [Hz] when G_HM_MODE = 1 in CTRL7_G (16h)	ODR selection [Hz] when G_HM_MODE = 0 in CTRL7_G (16h)
0	0	0	0	Power-down	Power-down
0	0	0	1	12.5 Hz (low power)	12.5 Hz (high performance)
0	0	1	0	26 Hz (low power)	26 Hz (high performance)
0	0	1	1	52 Hz (low power)	52 Hz (high performance)
0	1	0	0	104 Hz (low power)	104 Hz (high performance)
0	1	0	1	208 Hz (low power)	208 Hz (high performance)
0	1	1	0	416 Hz (high performance)	416 Hz (high performance)
0	1	1	1	833 Hz (high performance)	833 Hz (high performance)
1	0	0	0	1667 Hz (high performance)	1667 Hz (high performance)
1	0	0	1	3333 Hz (high performance)	3333 Hz (high performance)
1	0	1	0	6667 Hz (high performance)	6667 Hz (high performance)
1	0	1	1	Reserved	Reserved

9.14 CTRL3_C (12h)

Control register 3 (R/W)

Table 48. CTRL3_C register

BOOT	BDU	H_LACTIVE	PP_OD	SIM	IF_INC	0 ⁽¹⁾	SW_RESET
------	-----	-----------	-------	-----	--------	------------------	----------

1. This bit must be set to 0 for the correct operation of the device.

Table 49. CTRL3_C register description

BOOT	Reboots memory content. Default value: 0 (0: normal mode; 1: reboot memory content) Note: the accelerometer must be ON. This bit is automatically cleared.
BDU	Block data update. Default value: 0 (0: continuous update; 1: output registers are not updated until MSB and LSB have been read)
H_LACTIVE	Interrupt activation level. Default value: 0 (0: interrupt output pins active high; 1: interrupt output pins active low)
PP_OD	Push-pull/open-drain selection on INT1 and INT2 pins. This bit must be set to 0 when H_LACTIVE is set to 1. Default value: 0 (0: push-pull mode; 1: open-drain mode)
SIM	SPI serial interface mode selection. Default value: 0 (0: 4-wire interface; 1: 3-wire interface)
IF_INC	Register address automatically incremented during a multiple byte access with a serial interface (I ² C or SPI). Default value: 1 (0: disabled; 1: enabled)
SW_RESET	Software reset. Default value: 0 (0: normal mode; 1: reset device) This bit is automatically cleared.

9.15 CTRL4_C (13h)

Control register 4 (R/W)

Table 50. CTRL4_C register

0 ⁽¹⁾	SLEEP_G	INT2_on_INT1	0 ⁽¹⁾	DRDY_MASK	I2C_disable	LPF1_SEL_G	0 ⁽¹⁾
------------------	---------	--------------	------------------	-----------	-------------	------------	------------------

1. This bit must be set to 0 for the correct operation of the device.

Table 51. CTRL4_C register description

SLEEP_G	Enables gyroscope sleep mode. Default value: 0 (0: disabled; 1: enabled)
INT2_on_INT1	Enables all interrupt signals available on the INT1 pin. Default value: 0 (0: interrupt signals divided between the INT1 and INT2 pins; 1: all interrupt signals in logic or on the INT1 pin)
DRDY_MASK	Enables data available (0: disabled; 1: mask DRDY on pin (both accelerometer and gyroscope) until filter settling ends (accelerometer and gyroscope independently masked).
I2C_disable	Disables I ² C interface. Default value: 0 (0: SPI, I ² C, and MIPI I3C SM interfaces enabled (default); 1: I ² C interface disabled)
LPF1_SEL_G	Enables gyroscope digital LPF1; the bandwidth can be selected through FTYPE[2:0] in CTRL6_C (15h). (0: disabled; 1: enabled)

9.16 CTRL5_C (14h)

Control register 5 (R/W)

Table 52. CTRL5_C register

0 ⁽¹⁾	ROUNDING1	ROUNDING0	0 ⁽¹⁾	ST1_G	ST0_G	ST1_XL	ST0_XL
------------------	-----------	-----------	------------------	-------	-------	--------	--------

1. This bit must be set to 0 for the correct operation of the device.

Table 53. CTRL5_C register description

ROUNDING[1:0]	Circular burst mode (wraparound) read of the output registers. Default value: 00 (00: no wraparound; 01: accelerometer only; 10: gyroscope only; 11: gyroscope + accelerometer)
ST[1:0]_G	Enables angular rate sensor self-test. Default value: 00 (00: self-test disabled; other: refer to Table 54)
ST[1:0]_XL	Enables linear acceleration sensor self-test. Default value: 00 (00: self-test disabled; other: refer to Table 55)

Table 54. Angular rate sensor self-test mode selection

ST1_G	ST0_G	Self-test mode
0	0	Normal mode
0	1	Positive sign self-test
1	0	Not allowed
1	1	Negative sign self-test

Table 55. Linear acceleration sensor self-test mode selection

ST1_XL	ST0_XL	Self-test mode
0	0	Normal mode
0	1	Positive sign self-test
1	0	Negative sign self-test
1	1	Not allowed

9.17 CTRL6_C (15h)

Control register 6 (R/W)

Table 56. CTRL6_C register

TRIG_EN	LVL1_EN	LVL2_EN	XL_HM_MODE	USR_OFF_W	FTYPE_2	FTYPE_1	FTYPE_0
---------	---------	---------	------------	-----------	---------	---------	---------

Table 57. CTRL6_C register description

TRIG_EN	Enables DEN data edge-sensitive trigger mode. Refer to Table 58.
LVL1_EN	Enables DEN data level-sensitive trigger mode. Refer to Table 58.
LVL2_EN	Enables DEN level-sensitive latched mode. Refer to Table 58.
XL_HM_MODE	Disables high-performance operating mode for accelerometer. Default value: 0 (0: high-performance operating mode enabled; 1: high-performance operating mode disabled)
USR_OFF_W	Weight of XL user offset bits of registers X_OFS_USR (73h), Y_OFS_USR (74h), Z_OFS_USR (75h) (0: 2^{-10} g/LSB; 1: 2^{-6} g/LSB)
FTYPE[2:0]	Gyroscope low-pass filter (LPF1) bandwidth selection. Table 59 shows the selectable bandwidth values.

Table 58. Trigger mode selection

TRIG_EN, LVL1_EN, LVL2_EN	Trigger mode
100	Edge-sensitive trigger mode is selected
010	Level-sensitive trigger mode is selected
011	Level-sensitive latched mode is selected
110	Level-sensitive FIFO mode is selected

Table 59. Gyroscope LPF1 bandwidth selection

FTYPE[2:0]	12.5 Hz	26 Hz	52 Hz	104 Hz	208 Hz	416 Hz	833 Hz	1667 Hz	3333 Hz	6667 Hz
000	4.3	8.3	16.7	33	67	133	222	274	292	297
001	4.3	8.3	16.7	33	67	128	186	212	220	223
010	4.3	8.3	16.7	33	67	112	140	150	153	154
011	4.3	8.3	16.7	33	67	134	260	390	451	470
100	4.3	8.3	16.7	34	62	86	96	99	NA	
101	4.3	8.3	16.9	31	43	48	49	50	NA	
110	4.3	8.3	13.4	19	23	24.6	25	25	NA	
111	4.3	8.3	9.8	11.6	12.2	12.4	12.6	12.6	NA	

9.18 CTRL7_G (16h)

Control register 7 (R/W)

Table 60. CTRL7_G register

G_HM_MODE	HP_EN_G	HPM1_G	HPM0_G	0 ⁽¹⁾	0 ⁽¹⁾	USR_OFF_ON_OUT	0 ⁽¹⁾
-----------	---------	--------	--------	------------------	------------------	----------------	------------------

1. This bit must be set to 0 for the correct operation of the device.

G_HM_MODE	Disables high-performance operating mode for gyroscope. Default: 0 (0: high-performance operating mode enabled; 1: high-performance operating mode disabled)
HP_EN_G	Enables gyroscope digital high-pass filter. The filter is enabled only if the gyroscope is in HP mode. Default value: 0 (0: HPF disabled; 1: HPF enabled)
HPM_G[1:0]	Gyroscope digital HP filter cutoff selection. Default: 00 (00: 16 mHz; 01: 65 mHz; 10: 260 mHz; 11: 1.04 Hz)
USR_OFF_ON_OUT	Enables accelerometer user offset correction block; it's valid for the low-pass path - see Figure 19 . Default value: 0 (0: accelerometer user offset correction block bypassed; 1: accelerometer user offset correction block enabled)

9.19 CTRL8_XL (17h)

Control register 8 (R/W)

Table 61. CTRL8_XL register

HPCF_XL_2	HPCF_XL_1	HPCF_XL_0	HP_REF_MODE_XL	FASTSETTL_MODE_XL	HP_SLOPE_XL_EN	0 ⁽¹⁾	LOW_PASS_ON_6D
-----------	-----------	-----------	----------------	-------------------	----------------	------------------	----------------

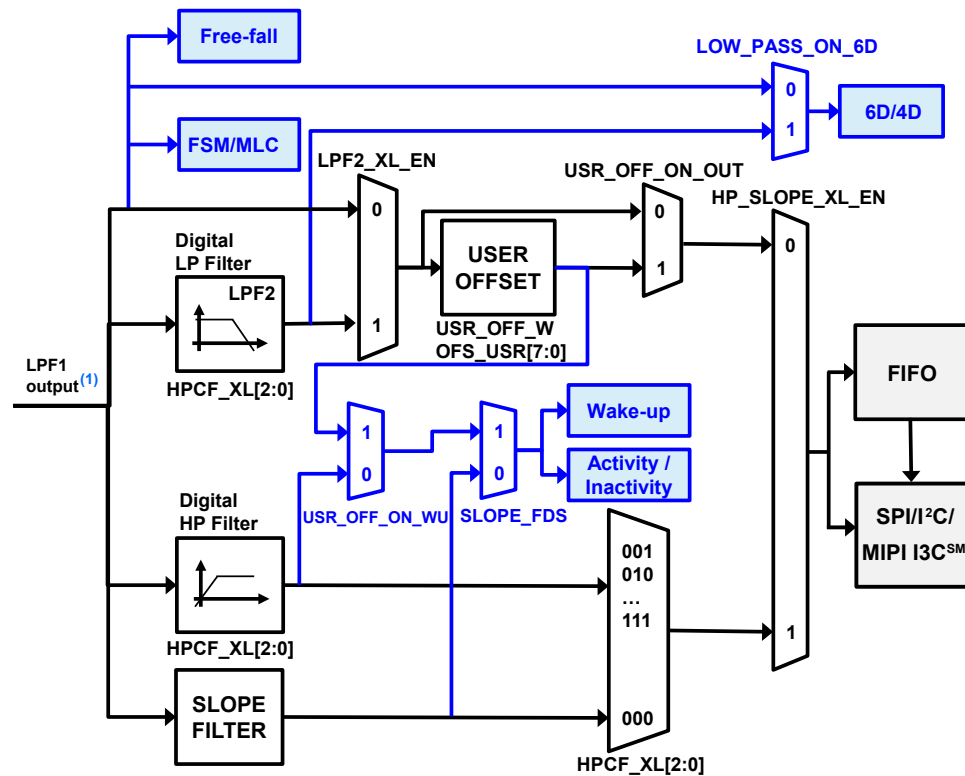
1. This bit must be set to 0 for the correct operation of the device.

HPCF_XL[2:0]	Accelerometer LPF2 and HP filter configuration and cutoff setting. Refer to Table 62 .
HP_REF_MODE_XL	Enables accelerometer high-pass filter reference mode (valid for high-pass path - HP_SLOPE_XL_EN bit must be 1). Default value: 0 ⁽¹⁾ (0: disabled, 1: enabled)
FASTSETTL_MODE_XL	Enables accelerometer LPF2 and HPF fast-settling mode. The filter sets the second samples after writing this bit. Active only during device exit from power-down mode. Default value: 0 (0: disabled, 1: enabled)
HP_SLOPE_XL_EN	Accelerometer slope filter / high-pass filter selection. Refer to Figure 22 .
LOW_PASS_ON_6D	LPF2 on 6D function selection. Refer to Figure 22 . Default value: 0 (0: ODR/2 low-pass filtered data sent to 6D interrupt function; 1: LPF2 output data sent to 6D interrupt function)

1. When enabled, the first output data have to be discarded.

Table 62. Accelerometer bandwidth configurations

Filter type	HP_SLOPE_XL_EN	LPF2_XL_EN	HPCF_XL_[2:0]	Bandwidth
Low pass	0	0	-	ODR/2
			000	ODR/4
		1	001	ODR/10
			010	ODR/20
			011	ODR/45
			100	ODR/100
			101	ODR/200
			110	ODR/400
			111	ODR/800
			High pass	1
001	ODR/10			
010	ODR/20			
011	ODR/45			
100	ODR/100			
101	ODR/200			
110	ODR/400			
111	ODR/800			

Figure 22. Accelerometer block diagram


1. The cutoff value of the LPF1 output is ODR/2 when the accelerometer is in high-performance mode and ODR up to 833 Hz. This value is equal to 780 Hz when the accelerometer is in low-power mode.

9.20 CTRL9_XL (18h)

Control register 9 (R/W)

Table 63. CTRL9_XL register

DEN_X	DEN_Y	DEN_Z	DEN_XL_G	DEN_XL_EN	DEN_LH	I3C_disable	0 ⁽¹⁾
-------	-------	-------	----------	-----------	--------	-------------	------------------

1. This bit must be set to 0 for the correct operation of the device.

Table 64. CTRL9_XL register description

DEN_X	DEN value stored in LSB of X-axis. Default value: 1 (0: DEN not stored in X-axis LSB; 1: DEN stored in X-axis LSB)
DEN_Y	DEN value stored in LSB of Y-axis. Default value: 1 (0: DEN not stored in Y-axis LSB; 1: DEN stored in Y-axis LSB)
DEN_Z	DEN value stored in LSB of Z-axis. Default value: 1 (0: DEN not stored in Z-axis LSB; 1: DEN stored in Z-axis LSB)
DEN_XL_G	DEN stamping sensor selection. Default value: 0 (0: DEN pin info stamped in the gyroscope axis selected by bits [7:5]; 1: DEN pin info stamped in the accelerometer axis selected by bits [7:5])
DEN_XL_EN	Extends DEN functionality to accelerometer sensor. Default value: 0 (0: disabled; 1: enabled)
DEN_LH	DEN active level configuration. Default value: 0 (0: active low; 1: active high)
I3C_disable	Disables MIPI I3C SM communication protocol ⁽¹⁾ (0: SPI, I ² C, MIPI I3C SM interfaces enabled (default); 1: MIPI I3C SM interface disabled)

1. It is recommended to set this bit to 1 during the initial device configuration phase, when the I3C interface is not used.

9.21 CTRL10_C (19h)

Control register 10 (R/W)

Table 65. CTRL10_C register

0 ⁽¹⁾	0 ⁽¹⁾	TIMESTAMP_EN	0 ⁽¹⁾	0 ⁽¹⁾	0 ⁽¹⁾	0 ⁽¹⁾	0 ⁽¹⁾
------------------	------------------	--------------	------------------	------------------	------------------	------------------	------------------

1. This bit must be set to 0 for the correct operation of the device.

Table 66. CTRL10_C register description

TIMESTAMP_EN	Enables timestamp counter. Default value: 0 (0: disabled; 1: enabled) The counter is readable in TIMESTAMP0 (40h), TIMESTAMP1 (41h), TIMESTAMP2 (42h), and TIMESTAMP3 (43h).
--------------	--

9.22 ALL_INT_SRC (1Ah)

Source register for all interrupts (R)

Table 67. ALL_INT_SRC register

TIMESTAMP_ENDCOUNT	0	SLEEP_CHANGE_IA	D6D_IA	0	0	WU_IA	FF_IA
--------------------	---	-----------------	--------	---	---	-------	-------

Table 68. ALL_INT_SRC register description

TIMESTAMP_ENDCOUNT	Alerts timestamp overflow within 6.4 ms
SLEEP_CHANGE_IA	Detects change event in activity/inactivity status. Default value: 0 (0: change status not detected; 1: change status detected)
D6D_IA	Interrupt active for change in position of portrait, landscape, face-up, face-down. Default value: 0 (0: change in position not detected; 1: change in position detected)
WU_IA	Wake-up event status. Default value: 0 (0: event not detected, 1: event detected)
FF_IA	Free-fall event status. Default value: 0 (0: event not detected, 1: event detected)

9.23 WAKE_UP_SRC (1Bh)

Wake-up interrupt source register (R)

Table 69. WAKE_UP_SRC register

0	SLEEP_CHANGE_IA	FF_IA	SLEEP_STATE	WU_IA	X_WU	Y_WU	Z_WU
---	-----------------	-------	-------------	-------	------	------	------

Table 70. WAKE_UP_SRC register description

SLEEP_CHANGE_IA	Detects change event in activity/inactivity status. Default value: 0 (0: change status not detected; 1: change status detected)
FF_IA	Free-fall event detection status. Default: 0 (0: free-fall event not detected; 1: free-fall event detected)
SLEEP_STATE	Sleep event status. Default value: 0 (0: sleep event not detected; 1: sleep event detected)
WU_IA	Wake-up event detection status. Default value: 0 (0: wake-up event not detected; 1: wake-up event detected.)
X_WU	Wake-up event detection status on X-axis. Default value: 0 (0: wake-up event on X-axis not detected; 1: wake-up event on X-axis detected)
Y_WU	Wake-up event detection status on Y-axis. Default value: 0 (0: wake-up event on Y-axis not detected; 1: wake-up event on Y-axis detected)
Z_WU	Wake-up event detection status on Z-axis. Default value: 0 (0: wake-up event on Z-axis not detected; 1: wake-up event on Z-axis detected)

9.24 DRD_SRC (1Dh)

Portrait, landscape, face-up and face-down source register (R)

Table 71. D6D_SRC register

DEN_DRDY	D6D_IA	ZH	ZL	YH	YL	XH	XL
----------	--------	----	----	----	----	----	----

Table 72. D6D_SRC register description

DEN_DRDY	DEN data-ready signal. It is set high when data output is related to the data coming from a DEN active condition. ⁽¹⁾
D6D_IA	Interrupt active for change position portrait, landscape, face-up, face-down. Default value: 0 (0: change position not detected; 1: change position detected)
ZH	Z-axis high event (over threshold). Default value: 0 (0: event not detected; 1: event (over threshold) detected)
ZL	Z-axis low event (under threshold). Default value: 0 (0: event not detected; 1: event (under threshold) detected)
YH	Y-axis high event (over threshold). Default value: 0 (0: event not detected; 1: event (over threshold) detected)
YL	Y-axis low event (under threshold). Default value: 0 (0: event not detected; 1: event (under threshold) detected)
XH	X-axis high event (over threshold). Default value: 0 (0: event not detected; 1: event (over threshold) detected)
XL	X-axis low event (under threshold). Default value: 0 (0: event not detected; 1: event (under threshold) detected)

1. The DEN data-ready signal can be latched or pulsed depending on the value of the `dataready_pulsed` bit of the `COUNTER_BDR_REG1 (0Bh)` register.

9.25 STATUS_REG (1Eh)

Status register (R)

Table 73. STATUS_REG register

0	0	0	0	0	TDA	GDA	XLDA
---	---	---	---	---	-----	-----	------

Table 74. STATUS_REG register description

TDA	Temperature new data available. Default: 0 (0: no set of data is available at temperature sensor output; 1: a new set of data is available at temperature sensor output)
GDA	Gyroscope new data available. Default value: 0 (0: no set of data available at gyroscope output; 1: a new set of data is available at gyroscope output)
XLDA	Accelerometer new data available. Default value: 0 (0: no set of data available at accelerometer output; 1: a new set of data is available at accelerometer output)

9.26 OUT_TEMP_L (20h), OUT_TEMP_H (21h)

Temperature data output register (R). L and H registers together express a 16-bit word in two's complement.

Table 75. OUT_TEMP_L register

Temp7	Temp6	Temp5	Temp4	Temp3	Temp2	Temp1	Temp0
-------	-------	-------	-------	-------	-------	-------	-------

Table 76. OUT_TEMP_H register

Temp15	Temp14	Temp13	Temp12	Temp11	Temp10	Temp9	Temp8
--------	--------	--------	--------	--------	--------	-------	-------

Table 77. OUT_TEMP register description

Temp[15:0]	Temperature sensor output data The value is expressed as two's complement sign extended on the MSB.
------------	--

9.27 OUTX_H_G (23h), OUTX_L_G (22h)

Angular rate sensor pitch axis (X) angular rate output register (R). The value is expressed as a 16-bit word in two's complement.

Table 78. OUTX_H_G register

D15	D14	D13	D12	D11	D10	D9	D8
-----	-----	-----	-----	-----	-----	----	----

Table 79. OUTX_L_G register

D7	D6	D5	D4	D3	D2	D1	D0
----	----	----	----	----	----	----	----

Table 80. OUTX_H_G, OUTX_L_G register description

D[15:0]	Gyroscope pitch axis output expressed in two's complement
---------	---

9.28 OUTY_H_G (25h), OUTY_L_G (24h)

Angular rate sensor roll axis (Y) angular rate output register (R). The value is expressed as a 16-bit word in two's complement.

Table 81. OUTY_H_G register

D15	D14	D13	D12	D11	D10	D9	D8
-----	-----	-----	-----	-----	-----	----	----

Table 82. OUTY_L_G register

D7	D6	D5	D4	D3	D2	D1	D0
----	----	----	----	----	----	----	----

Table 83. OUTY_H_G, OUTY_L_G register description

D[15:0]	Gyroscope roll axis output expressed in two's complement
---------	--

9.29 OUTZ_H_G (27h), OUTZ_L_G (26h)

Angular rate sensor pitch yaw (Z) angular rate output register (R). The value is expressed as a 16-bit word in two's complement.

Table 84. OUTZ_H_G register

D15	D14	D13	D12	D11	D10	D9	D8
-----	-----	-----	-----	-----	-----	----	----

Table 85. OUTZ_L_G register

D7	D6	D5	D4	D3	D2	D1	D0
----	----	----	----	----	----	----	----

Table 86. OUTZ_H_G, OUTZ_L_G register description

D[15:0]	Gyroscope yaw axis output expressed in two's complement
---------	---

9.30 OUTX_H_A (29h), OUTX_L_A (28h)

Linear acceleration sensor X-axis output register (R). The value is expressed as a 16-bit word in two's complement.

Table 87. OUTX_H_A register

D15	D14	D13	D12	D11	D10	D9	D8
-----	-----	-----	-----	-----	-----	----	----

Table 88. OUTX_L_A register

D7	D6	D5	D4	D3	D2	D1	D0
----	----	----	----	----	----	----	----

Table 89. OUTX_H_A, OUTX_L_A register description

D[15:0]	Accelerometer X-axis output expressed as two's complement
---------	---

9.31 OUTY_H_A (2Bh), OUTY_L_A (2Ah)

Linear acceleration sensor Y-axis output register (R). The value is expressed as a 16-bit word in two's complement.

Table 90. OUTY_H_A register

D15	D14	D13	D12	D11	D10	D9	D8
-----	-----	-----	-----	-----	-----	----	----

Table 91. OUTY_L_A register

D7	D6	D5	D4	D3	D2	D1	D0
----	----	----	----	----	----	----	----

Table 92. OUTY_H_A, OUTY_L_A register description

D[15:0]	Accelerometer Y-axis output expressed as two's complement
---------	---

9.32 OUTZ_H_A (2Dh), OUTZ_L_A (2Ch)

Linear acceleration sensor Z-axis output register (R). The value is expressed as a 16-bit word in two's complement.

Table 93. OUTZ_H_A register

D15	D14	D13	D12	D11	D10	D9	D8
-----	-----	-----	-----	-----	-----	----	----

Table 94. OUTZ_L_A register

D7	D6	D5	D4	D3	D2	D1	D0
----	----	----	----	----	----	----	----

Table 95. OUTZ_H_A, OUTZ_L_A register description

D[15:0]	Accelerometer Z-axis output expressed as two's complement
---------	---

9.33 EMB_FUNC_STATUS_MAINPAGE (35h)

Embedded function status register (R)

Table 96. EMB_FUNC_STATUS_MAINPAGE register

IS_FSM_LC	0	0	0	0	0	0	0
-----------	---	---	---	---	---	---	---

Table 97. EMB_FUNC_STATUS_MAINPAGE register description

IS_FSM_LC	Interrupt status bit for FSM long counter timeout interrupt event. (1: interrupt detected; 0: no interrupt)
-----------	--

9.34 FSM_STATUS_A_MAINPAGE (36h)

Finite state machine status register (R)

Table 98. FSM_STATUS_A_MAINPAGE register

IS_FSM8	IS_FSM7	IS_FSM6	IS_FSM5	IS_FSM4	IS_FSM3	IS_FSM2	IS_FSM1
---------	---------	---------	---------	---------	---------	---------	---------

Table 99. FSM_STATUS_A_MAINPAGE register description

IS_FSM8	Interrupt status bit for FSM8 interrupt event. (1: interrupt detected; 0: no interrupt)
IS_FSM7	Interrupt status bit for FSM7 interrupt event. (1: interrupt detected; 0: no interrupt)
IS_FSM6	Interrupt status bit for FSM6 interrupt event. (1: interrupt detected; 0: no interrupt)
IS_FSM5	Interrupt status bit for FSM5 interrupt event. (1: interrupt detected; 0: no interrupt)
IS_FSM4	Interrupt status bit for FSM4 interrupt event. (1: interrupt detected; 0: no interrupt)
IS_FSM3	Interrupt status bit for FSM3 interrupt event. (1: interrupt detected; 0: no interrupt)
IS_FSM2	Interrupt status bit for FSM2 interrupt event. (1: interrupt detected; 0: no interrupt)
IS_FSM1	Interrupt status bit for FSM1 interrupt event. (1: interrupt detected; 0: no interrupt)

9.35 FSM_STATUS_B_MAINPAGE (37h)

Finite state machine status register (R)

Table 100. FSM_STATUS_B_MAINPAGE register

IS_FSM16	IS_FSM15	IS_FSM14	IS_FSM13	IS_FSM12	IS_FSM11	IS_FSM10	IS_FSM9
----------	----------	----------	----------	----------	----------	----------	---------

Table 101. FSM_STATUS_B_MAINPAGE register description

IS_FSM16	Interrupt status bit for FSM16 interrupt event. (1: interrupt detected; 0: no interrupt)
IS_FSM15	Interrupt status bit for FSM15 interrupt event. (1: interrupt detected; 0: no interrupt)
IS_FSM14	Interrupt status bit for FSM14 interrupt event. (1: interrupt detected; 0: no interrupt)
IS_FSM13	Interrupt status bit for FSM13 interrupt event. (1: interrupt detected; 0: no interrupt)
IS_FSM12	Interrupt status bit for FSM12 interrupt event. (1: interrupt detected; 0: no interrupt)
IS_FSM11	Interrupt status bit for FSM11 interrupt event. (1: interrupt detected; 0: no interrupt)
IS_FSM10	Interrupt status bit for FSM10 interrupt event. (1: interrupt detected; 0: no interrupt)
IS_FSM9	Interrupt status bit for FSM9 interrupt event. (1: interrupt detected; 0: no interrupt)

9.36 MLC_STATUS_MAINPAGE (38h)

Machine learning core status register (R)

Table 102. MLC_STATUS_MAINPAGE register

IS_MLC8	IS_MLC7	IS_MLC6	IS_MLC5	IS_MLC4	IS_MLC3	IS_MLC2	IS_MLC1
---------	---------	---------	---------	---------	---------	---------	---------

Table 103. MLC_STATUS_MAINPAGE register description

IS_MLC8	Interrupt status bit for MLC8 interrupt event. (1: interrupt detected; 0: no interrupt)
IS_MLC7	Interrupt status bit for MLC7 interrupt event. (1: interrupt detected; 0: no interrupt)
IS_MLC6	Interrupt status bit for MLC6 interrupt event. (1: interrupt detected; 0: no interrupt)
IS_MLC5	Interrupt status bit for MLC5 interrupt event. (1: interrupt detected; 0: no interrupt)
IS_MLC4	Interrupt status bit for MLC4 interrupt event. (1: interrupt detected; 0: no interrupt)
IS_MLC3	Interrupt status bit for MLC3 interrupt event. (1: interrupt detected; 0: no interrupt)
IS_MLC2	Interrupt status bit for MLC2 interrupt event. (1: interrupt detected; 0: no interrupt)
IS_MLC1	Interrupt status bit for MLC1 interrupt event. (1: interrupt detected; 0: no interrupt)

9.37 STATUS_MASTER_MAINPAGE (39h)

Sensor hub source register (R)

Table 104. STATUS_MASTER_MAINPAGE register

WR_ONCE_DONE	SLAVE3_NACK	SLAVE2_NACK	SLAVE1_NACK	SLAVE0_NACK	0	0	SENS_HUB_ENDOP
--------------	-------------	-------------	-------------	-------------	---	---	----------------

Table 105. STATUS_MASTER_MAINPAGE register description

WR_ONCE_DONE	When the bit WRITE_ONCE in MASTER_CONFIG (14h) is configured as 1, this bit is set to 1 when the write operation on slave 0 has been performed and completed. Default value: 0
SLAVE3_NACK	This bit is set to 1 if Not acknowledge occurs on slave 3 communication. Default value: 0
SLAVE2_NACK	This bit is set to 1 if Not acknowledge occurs on slave 2 communication. Default value: 0
SLAVE1_NACK	This bit is set to 1 if Not acknowledge occurs on slave 1 communication. Default value: 0
SLAVE0_NACK	This bit is set to 1 if Not acknowledge occurs on slave 0 communication. Default value: 0
SENS_HUB_ENDOP	Sensor hub communication status. Default value: 0 (0: sensor hub communication not concluded; 1: sensor hub communication concluded)

9.38 FIFO_STATUS1 (3Ah)

FIFO status register 1 (R)

Table 106. FIFO_STATUS1 register

DIFF_FIFO_7	DIFF_FIFO_6	DIFF_FIFO_5	DIFF_FIFO_4	DIFF_FIFO_3	DIFF_FIFO_2	DIFF_FIFO_1	DIFF_FIFO_0
-------------	-------------	-------------	-------------	-------------	-------------	-------------	-------------

Table 107. FIFO_STATUS1 register description

DIFF_FIFO_[7:0]	Number of unread sensor data (TAG + 6 bytes) stored in FIFO In conjunction with DIFF_FIFO[9:8] in FIFO_STATUS2 (3Bh) .
-----------------	--

9.39 FIFO_STATUS2 (3Bh)

FIFO status register 2 (R)

Table 108. FIFO_STATUS2 register

FIFO_WTM_IA	FIFO_OVR_IA	FIFO_FULL_IA	COUNTER_BDR_IA	FIFO_OVR_LATCHED	0	DIFF_FIFO_9	DIFF_FIFO_8
-------------	-------------	--------------	----------------	------------------	---	-------------	-------------

Table 109. FIFO_STATUS2 register description

FIFO_WTM_IA	FIFO watermark status. Default value: 0 (0: FIFO filling is lower than WTM; 1: FIFO filling is equal to or greater than WTM) Watermark is set through bits WTM[8:0] in FIFO_CTRL2 (08h) and FIFO_CTRL1 (07h).
FIFO_OVR_IA	FIFO overrun status. Default value: 0 (0: FIFO is not completely filled; 1: FIFO is completely filled)
FIFO_FULL_IA	Smart FIFO full status. Default value: 0 (0: FIFO is not full; 1: FIFO will be full at the next ODR)
COUNTER_BDR_IA	Counter BDR reaches the CNT_BDR_TH_[10:0] threshold set in COUNTER_BDR_REG1 (0Bh) and COUNTER_BDR_REG2 (0Ch). Default value: 0 This bit is reset when these registers are read.
FIFO_OVR_LATCHED	Latched FIFO overrun status. Default value: 0 This bit is reset when this register is read.
DIFF_FIFO_[9:8]	Number of unread sensor data (TAG + 6 bytes) stored in FIFO. Default value: 00 In conjunction with DIFF_FIFO[7:0] in FIFO_STATUS1 (3Ah)

9.40 **TIMESTAMP0 (40h), TIMESTAMP1 (41h), TIMESTAMP2 (42h), and TIMESTAMP3 (43h)**

Timestamp first data output register (R). The value is expressed as a 32-bit word and the bit resolution is 25 μs.

Table 110. TIMESTAMP3 register

D31	D30	D29	D28	D27	D26	D25	D24
-----	-----	-----	-----	-----	-----	-----	-----

Table 111. TIMESTAMP2 register

D23	D22	D21	D20	D19	D18	D17	D16
-----	-----	-----	-----	-----	-----	-----	-----

Table 112. TIMESTAMP1 register

D15	D14	D13	D12	D11	D10	D9	D8
-----	-----	-----	-----	-----	-----	----	----

Table 113. TIMESTAMP0 register

D7	D6	D5	D4	D3	D2	D1	D0
----	----	----	----	----	----	----	----

D[31:0]	Timestamp output registers: 1LSB = 25 μs
---------	--

The formula below can be used to calculate a better estimation of the actual timestamp resolution:

$$TS_Res = 1 / (40000 + (0.0015 * INTERNAL_FREQ_FINE * 40000))$$

where INTERNAL_FREQ_FINE is the content of [INTERNAL_FREQ_FINE \(63h\)](#).

9.41 INT_CFG0 (56h)

Activity/inactivity functions, configuration of filtering, and interrupt latch mode configuration (R/W)

Table 114. INT_CFG0 register

0 ⁽¹⁾	INT_CLR_ON_READ	SLEEP_STATUS_ON_INT	SLOPE_FDS	0 ⁽¹⁾	0 ⁽¹⁾	0 ⁽¹⁾	LIR
------------------	-----------------	---------------------	-----------	------------------	------------------	------------------	-----

1. This bit must be set to 0 for the correct operation of the device.

Table 115. INT_CFG0 register description

INT_CLR_ON_READ	This bit allows immediately clearing the latched interrupts of an event detection upon the read of the corresponding status register. It must be set to 1 together with LIR. Default value: 0 (0: latched interrupt signal cleared at the end of the ODR period; 1: latched interrupt signal immediately cleared)
SLEEP_STATUS_ON_INT	Activity/inactivity interrupt mode configuration. If INT1_SLEEP_CHANGE or INT2_SLEEP_CHANGE bits are enabled, drives the sleep status or sleep change on INT pins. Default value: 0 (0: sleep change notification on INT pins; 1: sleep status reported on INT pins)
SLOPE_FDS	HPF or slope filter selection on wake-up and activity/inactivity functions. Default value: 0 (0: SLOPE filter applied; 1: HPF applied)
LIR	Latched interrupt. Default value: 0 (0: interrupt request not latched; 1: interrupt request latched)

9.42 INT_CFG1 (58h)

Enable interrupt function register (R/W)

Table 116. INT_CFG1 register

INTERRUPTS_ENABLE	INACT_EN1	INACT_EN0	0 ⁽¹⁾	0 ⁽¹⁾	0 ⁽¹⁾	0 ⁽¹⁾	0 ⁽¹⁾
-------------------	-----------	-----------	------------------	------------------	------------------	------------------	------------------

1. This bit must be set to 0 for the correct operation of the device.

Table 117. INT_CFG1 register description

INTERRUPTS_ENABLE	Enables hardcoded functions
INACT_EN[1:0]	Enables activity/inactivity (sleep) function. Default value: 00 (00: stationary/motion-only interrupts generated, accelerometer and gyroscope do not change; 01: sets accelerometer ODR to 12.5 Hz (low-power mode), gyroscope does not change; 10: sets accelerometer ODR to 12.5 Hz (low-power mode), gyroscope to sleep mode; 11: sets accelerometer ODR to 12.5 Hz (low-power mode), gyroscope to power-down mode)

9.43 THS_6D (59h)

Portrait/landscape position register (R/W)

Table 118. THS_6D register

D4D_EN	SIXD_THS1	SIXD_THS0	0 ⁽¹⁾	0 ⁽¹⁾	0 ⁽¹⁾	0 ⁽¹⁾	0 ⁽¹⁾
--------	-----------	-----------	------------------	------------------	------------------	------------------	------------------

1. This bit must be set to 0 for the correct operation of the device.

Table 119. THS_6D register description

D4D_EN	Enables detection of 4D orientation. Z-axis position detection is disabled. Default value: 0 (0: disabled; 1: enabled)
SIXD_THS[1:0]	Threshold for 4D/6D function (00: 80 degrees (default); 01: 70 degrees; 10: 60 degrees; 11: 50 degrees)

9.44 WAKE_UP_THS (5Bh)

Wake-up configuration register (R/W)

Table 120. WAKE_UP_THS register

0 ⁽¹⁾	USR_OFF_ON_WU	WK_THS5	WK_THS4	WK_THS3	WK_THS2	WK_THS1	WK_THS0
------------------	---------------	---------	---------	---------	---------	---------	---------

1. This bit must be set to 0 for the correct operation of the device.

Table 121. WAKE_UP_THS register description

USR_OFF_ON_WU	Sends the low-pass filtered data with user offset correction (instead of high-pass filtered data) to the wake-up and the activity/inactivity functions. Default value: 0
WK_THS[5:0]	Threshold for wake-up: 1 LSB weight depends on WAKE_THS_W in WAKE_UP_DUR (5Ch). Default value: 000000

9.45 WAKE_UP_DUR (5Ch)

Free-fall, wake-up and sleep mode functions duration setting register (R/W)

Table 122. WAKE_UP_DUR register

FF_DUR5	WAKE_DUR1	WAKE_DUR0	WAKE_THS_W	SLEEP_DUR3	SLEEP_DUR2	SLEEP_DUR1	SLEEP_DUR0
---------	-----------	-----------	------------	------------	------------	------------	------------

Table 123. WAKE_UP_DUR register description

FF_DUR5	Free-fall duration event. Default: 0 For the complete configuration of the free-fall duration, refer to FF_DUR[4:0] in FREE_FALL (5Dh) configuration. 1 LSB = 1 ODR_time
WAKE_DUR[1:0]	Wake-up duration event. Default: 00 1LSB = 1 ODR_time
WAKE_THS_W	Weight of 1 LSB of wake-up threshold. Default: 0 (0: 1 LSB = FS_XL / (2 ⁶); 1: 1 LSB = FS_XL / (2 ⁸))
SLEEP_DUR[3:0]	Duration to go in sleep mode. Default value: 0000 (this corresponds to 16 ODR) 1 LSB = 512 ODR

9.46 FREE_FALL (5Dh)

Free-fall function duration setting register (R/W)

Table 124. FREE_FALL register

FF_DUR4	FF_DUR3	FF_DUR2	FF_DUR1	FF_DUR0	FF_THS2	FF_THS1	FF_THS0
---------	---------	---------	---------	---------	---------	---------	---------

Table 125. FREE_FALL register description

FF_DUR[4:0]	Free-fall duration event. Default: 0 For the complete configuration of the free fall duration, refer to FF_DUR5 in WAKE_UP_DUR (5Ch) configuration
FF_THS[2:0]	Free-fall threshold setting (000: 156 mg (default); 001: 219 mg; 010: 250 mg; 011: 312 mg; 100: 344 mg; 101: 406 mg; 110: 469 mg; 111: 500 mg)

9.47 MD1_CFG (5Eh)

Functions routing to INT1 pin register (R/W)

Table 126. MD1_CFG register

INT1_SLEEP_CHANGE	0 ⁽¹⁾	INT1_WU	INT1_FF	0 ⁽¹⁾	INT1_6D	INT1_EMB_FUNC	INT1_SHUB
-------------------	------------------	---------	---------	------------------	---------	---------------	-----------

1. This bit must be set to 0 for the correct operation of the device.

Table 127. MD1_CFG register description

INT1_SLEEP_CHANGE ⁽¹⁾	Routing activity/inactivity recognition event to INT1. Default: 0 (0: routing activity/inactivity event to INT1 disabled; 1: routing activity/inactivity event to INT1 enabled)
INT1_WU	Routing wake-up event to INT1. Default value: 0 (0: routing wake-up event to INT1 disabled; 1: routing wake-up event to INT1 enabled)
INT1_FF	Routing free-fall event to INT1. Default value: 0 (0: routing free-fall event to INT1 disabled; 1: routing free-fall event to INT1 enabled)
INT1_6D	Routing 6D event to INT1. Default value: 0 (0: routing 6D event to INT1 disabled; 1: routing 6D event to INT1 enabled)
INT1_EMB_FUNC	Routing embedded functions event to INT1. Default value: 0 (0: routing embedded functions event to INT1 disabled; 1: routing embedded functions event to INT1 enabled)
INT1_SHUB	Routing sensor hub communication concluded event to INT1. Default value: 0 (0: routing sensor hub communication concluded event to INT1 disabled; 1: routing sensor hub communication concluded event to INT1 enabled)

1. Activity/inactivity interrupt mode (sleep change or sleep status) depends on the SLEEP_STATUS_ON_INT bit in the INT_CFG0 (56h) register.

9.48 MD2_CFG (5Fh)

Functions routing to INT2 pin register (R/W)

Table 128. MD2_CFG register

INT2_SLEEP_CHANGE	0 ⁽¹⁾	INT2_WU	INT2_FF	0 ⁽¹⁾	INT2_6D	INT2_EMB_FUNC	INT2_TIMESTAMP
-------------------	------------------	---------	---------	------------------	---------	---------------	----------------

1. This bit must be set to 0 for the correct operation of the device.

Table 129. MD2_CFG register description

INT2_SLEEP_CHANGE ⁽¹⁾	Routing activity/inactivity recognition event to INT2. Default: 0 (0: routing activity/inactivity event to INT2 disabled; 1: routing activity/inactivity event to INT2 enabled)
INT2_WU	Routing wake-up event to INT2. Default value: 0 (0: routing wake-up event to INT2 disabled; 1: routing wake-up event to INT2 enabled)
INT2_FF	Routing free-fall event to INT2. Default value: 0 (0: routing free-fall event to INT2 disabled; 1: routing free-fall event to INT2 enabled)
INT2_6D	Routing 6D event to INT2. Default value: 0 (0: routing 6D event to INT2 disabled; 1: routing 6D event to INT2 enabled)
INT2_EMB_FUNC	Routing embedded functions event to INT2. Default value: 0 (0: routing embedded functions event to INT2 disabled; 1: routing embedded functions event to INT2 enabled)
INT2_TIMESTAMP	Enables routing the alert for timestamp overflow within 6.4 ms to the INT2 pin.

1. Activity/inactivity interrupt mode (sleep change or sleep status) depends on the SLEEP_STATUS_ON_INT bit in the INT_CFG0 (56h) register.

9.49 I3C_BUS_AVB (62h)

I3C_BUS_AVB register (R/W)

Table 130. I3C_BUS_AVB register

0 ⁽¹⁾	0 ⁽¹⁾	0 ⁽¹⁾	I3C_Bus_Avb_Sel1	I3C_Bus_Avb_Sel0	0 ⁽¹⁾	0 ⁽¹⁾	PD_DIS_INT1
------------------	------------------	------------------	------------------	------------------	------------------	------------------	-------------

1. This bit must be set to 0 for the correct operation of the device.

Table 131. I3C_BUS_AVB register description

I3C_Bus_Avb_Sel[1:0]	<p>These bits are used to select the bus available time when I3C IBI is used.</p> <p>Default value: 00</p> <p>(00: bus available time equal to 50 μs (default); 01: bus available time equal to 2 μs; 10: bus available time equal to 1 ms; 11: bus available time equal to 25 ms)</p>
PD_DIS_INT1	<p>This bit allows disabling the INT1 pull-down.</p> <p>(0: pull-down on INT1 enabled (pull-down is effectively connected only when no interrupts are routed to the INT1 pin or when the I3C dynamic address is assigned); 1: pull-down on INT1 disabled (pull-down not connected))</p>

Note: *The IBI (in-band interrupt) is continuously generated (each time a bus available condition is satisfied) until an interrupt is served. The master should execute the interrupt service routine (ISR) at a time lower than the configured bus available time, otherwise the master should disable the interrupt (I3C DISEC in order to disable the interrupt request) at a time lower than the bus available time.*

If the master needs more time to analyze and start the correct ISR, then the master can change the bus available time from 50 μ s (default) to a higher time.

9.50 INTERNAL_FREQ_FINE (63h)

Internal frequency register (R)

Table 132. INTERNAL_FREQ_FINE register

FREQ_FINE7	FREQ_FINE6	FREQ_FINE5	FREQ_FINE4	FREQ_FINE3	FREQ_FINE2	FREQ_FINE1	FREQ_FINE0
------------	------------	------------	------------	------------	------------	------------	------------

Table 133. INTERNAL_FREQ_FINE register description

FREQ_FINE[7:0]	Difference in percentage of the effective ODR (and timestamp rate) with respect to the typical. Step: 0.15%. 8-bit format, two's complement.
----------------	--

The formula below can be used to calculate a better estimation of the actual ODR:

$$\text{ODR_Actual} = (6667 + ((0.0015 * \text{INTERNAL_FREQ_FINE}) * 6667)) / \text{ODR_Coeff}$$

Selected_ODR	ODR_Coeff
12.5	512
26	256
52	128
104	64
208	32
416	16
833	8
1667	4
3333	2
6667	1

The Selected_ODR parameter has to be derived from the ODR_XL selection ([Table 43. CTRL1_XL register description](#)) in order to estimate the accelerometer ODR and from the ODR_G selection ([Table 46. CTRL2_G register description](#)) in order to estimate the gyroscope ODR.

9.51 X_OFS_USR (73h)

Accelerometer X-axis user offset correction (R/W). The offset value set in the X_OFS_USR offset register is internally subtracted from the acceleration value measured on the X-axis.

Table 134. X_OFS_USR register

X_OFS_USR_7	X_OFS_USR_6	X_OFS_USR_5	X_OFS_USR_4	X_OFS_USR_3	X_OFS_USR_2	X_OFS_USR_1	X_OFS_USR_0
-------------	-------------	-------------	-------------	-------------	-------------	-------------	-------------

Table 135. X_OFS_USR register description

X_OFS_USR_[7:0]	Accelerometer X-axis user offset correction expressed in two's complement, weight depends on USR_OFF_W in CTRL6_C (15h). The value must be in the range [-127 127].
-----------------	---

9.52 Y_OFS_USR (74h)

Accelerometer Y-axis user offset correction (R/W). The offset value set in the Y_OFS_USR offset register is internally subtracted from the acceleration value measured on the Y-axis.

Table 136. Y_OFS_USR register

Y_OFS_USR_7	Y_OFS_USR_6	Y_OFS_USR_5	Y_OFS_USR_4	Y_OFS_USR_3	Y_OFS_USR_2	Y_OFS_USR_1	Y_OFS_USR_0
-------------	-------------	-------------	-------------	-------------	-------------	-------------	-------------

Y_OFS_USR_[7:0]	Accelerometer Y-axis user offset calibration expressed in two's complement, weight depends on USR_OFF_W in CTRL6_C (15h). The value must be in the range [-127, +127].
-----------------	--

9.53 Z_OFS_USR (75h)

Accelerometer Z-axis user offset correction (R/W). The offset value set in the Z_OFS_USR offset register is internally subtracted from the acceleration value measured on the Z-axis.

Table 137. Z_OFS_USR register

Z_OFS_USR_7	Z_OFS_USR_6	Z_OFS_USR_5	Z_OFS_USR_4	Z_OFS_USR_3	Z_OFS_USR_2	Z_OFS_USR_1	Z_OFS_USR_0
-------------	-------------	-------------	-------------	-------------	-------------	-------------	-------------

Table 138. Z_OFS_USR register description

Z_OFS_USR_[7:0]	Accelerometer Z-axis user offset calibration expressed in two's complement, weight depends on USR_OFF_W in CTRL6_C (15h). The value must be in the range [-127, +127].
-----------------	--

9.54 FIFO_DATA_OUT_TAG (78h)

FIFO tag register (R)

Table 139. FIFO_DATA_OUT_TAG register

TAG_SENSOR_4	TAG_SENSOR_3	TAG_SENSOR_2	TAG_SENSOR_1	TAG_SENSOR_0	TAG_CNT_1	TAG_CNT_0	TAG_PARITY
--------------	--------------	--------------	--------------	--------------	-----------	-----------	------------

Table 140. FIFO_DATA_OUT_TAG register description

TAG_SENSOR_[4:0]	Identifies the sensor in: FIFO_DATA_OUT_X_H (7Ah) and FIFO_DATA_OUT_X_L (79h), FIFO_DATA_OUT_Y_H (7Ch) and FIFO_DATA_OUT_Y_L (7Bh), and FIFO_DATA_OUT_Z_H (7Eh) and FIFO_DATA_OUT_Z_L (7Dh)
TAG_CNT_[1:0]	2-bit counter which identifies sensor time slot
TAG_PARITY	Parity check of TAG content

Table 141. FIFO tag

TAG_SENSOR_[4:0]	Sensor name
0x01	Gyroscope
0x02	Accelerometer
0x03	Temperature
0x04	Timestamp
0x05	CFG_Change
0x0E	Sensor hub slave 0
0x0F	Sensor hub slave 1
0x10	Sensor hub slave 2
0x11	Sensor hub slave 3
0x19	Sensor hub nack

9.55 FIFO_DATA_OUT_X_H (7Ah) and FIFO_DATA_OUT_X_L (79h)

FIFO data output X (R)

Table 142. FIFO_DATA_OUT_X_H register

D15	D14	D13	D12	D11	D10	D9	D8
-----	-----	-----	-----	-----	-----	----	----

Table 143. FIFO_DATA_OUT_X_L register

D7	D6	D5	D4	D3	D2	D1	D0
----	----	----	----	----	----	----	----

Table 144. FIFO_DATA_OUT_X_H, FIFO_DATA_OUT_X_L register description

D[15:0]	FIFO X-axis output
---------	--------------------

9.56 FIFO_DATA_OUT_Y_H (7Ch) and FIFO_DATA_OUT_Y_L (7Bh)

FIFO data output Y (R)

Table 145. FIFO_DATA_OUT_Y_H register

D15	D14	D13	D12	D11	D10	D9	D8
-----	-----	-----	-----	-----	-----	----	----

Table 146. FIFO_DATA_OUT_Y_L register

D7	D6	D5	D4	D3	D2	D1	D0
----	----	----	----	----	----	----	----

Table 147. FIFO_DATA_OUT_Y_H, FIFO_DATA_OUT_Y_L register description

D[15:0]	FIFO Y-axis output
---------	--------------------

9.57 FIFO_DATA_OUT_Z_H (7Eh) and FIFO_DATA_OUT_Z_L (7Dh)

FIFO data output Z (R)

Table 148. FIFO_DATA_OUT_Z_H register

D15	D14	D13	D12	D11	D10	D9	D8
-----	-----	-----	-----	-----	-----	----	----

Table 149. FIFO_DATA_OUT_Z_L register

D7	D6	D5	D4	D3	D2	D1	D0
----	----	----	----	----	----	----	----

Table 150. FIFO_DATA_OUT_Z_H, FIFO_DATA_OUT_Z_L register description

D[15:0]	FIFO Z-axis output
---------	--------------------

10 Embedded functions register mapping

The table given below provides a list of the registers for the embedded functions available in the device and the corresponding addresses. Embedded functions registers are accessible when FUNC_CFG_EN is set to 1 in FUNC_CFG_ACCESS (01h).

Table 151. Register address map - embedded functions

Name	Type	Register address		Default	Comment
		Hex	Binary		
PAGE_SEL	R/W	02	00000010	00000001	
RESERVED	-	03-04			Reserved
EMB_FUNC_EN_B	R/W	05	00000101	00000000	
PAGE_ADDRESS	R/W	08	00001000	00000000	
PAGE_VALUE	R/W	09	00001001	00000000	
EMB_FUNC_INT1	R/W	0A	00001010	00000000	
FSM_INT1_A	R/W	0B	00001011	00000000	
FSM_INT1_B	R/W	0C	00001100	00000000	
MLC_INT1	R/W	0D	00001101	00000000	
EMB_FUNC_INT2	R/W	0E	00001110	00000000	
FSM_INT2_A	R	0F	00001111	01101011	
FSM_INT2_B	R/W	10	00010000	00000000	
MLC_INT2	R/W	11	00010001	00000000	
EMB_FUNC_STATUS	R	12	00010010	output	
FSM_STATUS_A	R	13	00010011	output	
FSM_STATUS_B	R	14	00010100	output	
MLC_STATUS	R	15	00010101	output	
PAGE_RW	R/W	17	00010111	00000000	
RESERVED	-	18-45			Reserved
FSM_ENABLE_A	R/W	46	01000110	00000000	
FSM_ENABLE_B	R/W	47	01000111	00000000	
FSM_LONG_COUNTER_L	R/W	48	01001000	00000000	
FSM_LONG_COUNTER_H	R/W	49	01001001	00000000	
FSM_LONG_COUNTER_CLEAR	R/W	4A	01001010	00000000	
FSM_OUTS1	R	4C	01001100	output	
FSM_OUTS2	R	4D	01001101	output	
FSM_OUTS3	R	4E	01001110	output	
FSM_OUTS4	R	4F	01001111	output	
FSM_OUTS5	R	50	01010000	output	
FSM_OUTS6	R	51	01010001	output	
FSM_OUTS7	R	52	01010010	output	
FSM_OUTS8	R	53	01010011	output	
FSM_OUTS9	R	54	01010100	output	
FSM_OUTS10	R	55	01010101	output	

Name	Type	Register address		Default	Comment
		Hex	Binary		
FSM_OUTS11	R	56	01010110	output	
FSM_OUTS12	R	57	01010111	output	
FSM_OUTS13	R	58	01011000	output	
FSM_OUTS14	R	59	01011001	output	
FSM_OUTS15	R	5A	01011010	output	
FSM_OUTS16	R	5B	01011011	output	
RESERVED	-	5C-5E			Reserved
EMB_FUNC_ODR_CFG_B	R/W	5F	01011111	01001011	
EMB_FUNC_ODR_CFG_C	R/W	60	01100000	00010101	
RESERVED	-	61-66			Reserved
EMB_FUNC_INIT_B	R/W	67	01100111	00000000	
MLC0_SRC	R	70	01110000	output	
MLC1_SRC	R	71	01110001	output	
MLC2_SRC	R	72	01110010	output	
MLC3_SRC	R	73	01110011	output	
MLC4_SRC	R	74	01110100	output	
MLC5_SRC	R	75	01110101	output	
MLC6_SRC	R	76	01110110	output	
MLC7_SRC	R	77	01110111	output	

Reserved registers must not be changed. Writing to those registers may cause permanent damage to the device. The content of the registers that are loaded at boot should not be changed. They contain the factory calibration values. Their content is automatically restored when the device is powered up.

11 Embedded functions register description

11.1 PAGE_SEL (02h)

Enable advanced features dedicated page (R/W)

Table 152. PAGE_SEL register

PAGE_SEL3	PAGE_SEL2	PAGE_SEL1	PAGE_SEL0	0 ⁽¹⁾	0 ⁽¹⁾	EMB_FUNC_CLK_DIS	1 ⁽²⁾
-----------	-----------	-----------	-----------	------------------	------------------	------------------	------------------

1. This bit must be set to 0 for the correct operation of the device.
2. This bit must be set to 1 for the correct operation of the device.

Table 153. PAGE_SEL register description

PAGE_SEL[3:0]	Selects the advanced features dedicated page. Default value: 0000
EMB_FUNC_CLK_DIS	Disables the embedded functions clock. Default value: 0 (0: clock enabled; 1: clock disabled)

11.2 EMB_FUNC_EN_B (05h)

Enable embedded functions register (R/W)

Table 154. EMB_FUNC_EN_B register

0 ⁽¹⁾	0 ⁽¹⁾	0 ⁽¹⁾	MLC_EN	0 ⁽¹⁾	0 ⁽¹⁾	0 ⁽¹⁾	FSM_EN
------------------	------------------	------------------	--------	------------------	------------------	------------------	--------

1. This bit must be set to 0 for the correct operation of the device.

Table 155. EMB_FUNC_EN_B register description

MLC_EN	Enables machine learning core feature. Default value: 0 (0: machine learning core feature disabled; 1: machine learning core feature enabled)
FSM_EN	Enables finite state machine (FSM) feature. Default value: 0 (0: FSM feature disabled; 1: FSM feature enabled)

11.3 PAGE_ADDRESS (08h)

Page address register (R/W)

Table 156. PAGE_ADDRESS register

PAGE_ADDR7	PAGE_ADDR6	PAGE_ADDR5	PAGE_ADDR4	PAGE_ADDR3	PAGE_ADDR2	PAGE_ADDR1	PAGE_ADDR0
------------	------------	------------	------------	------------	------------	------------	------------

Table 157. PAGE_ADDRESS register description

PAGE_ADDR[7:0]	After setting the bit PAGE_WRITE / PAGE_READ in register PAGE_RW (17h), this register is used to set the address of the register to be written/read in the advanced features page selected through the bits PAGE_SEL[3:0] in register PAGE_SEL (02h).
----------------	---

11.4 PAGE_VALUE (09h)

Page value register (R/W)

Table 158. PAGE_VALUE register

PAGE_VALUE7	PAGE_VALUE6	PAGE_VALUE5	PAGE_VALUE4	PAGE_VALUE3	PAGE_VALUE2	PAGE_VALUE1	PAGE_VALUE0
-------------	-------------	-------------	-------------	-------------	-------------	-------------	-------------

Table 159. PAGE_VALUE register description

PAGE_VALUE[7:0]	These bits are used to write (if the bit PAGE_WRITE = 1 in register PAGE_RW (17h)) or read (if the bit PAGE_READ = 1 in register PAGE_RW (17h)) the data at the address PAGE_ADDR[7:0] of the selected advanced features page.
-----------------	--

11.5 EMB_FUNC_INT1 (0Ah)

INT1 pin control register (R/W)

Each bit in this register enables a signal to be carried over INT1. The pin's output supplies the OR combination of the selected signals.

Table 160. EMB_FUNC_INT1 register

INT1_FSM_LC	0 ⁽¹⁾	0 ⁽¹⁾	0 ⁽¹⁾	0 ⁽¹⁾	0 ⁽¹⁾	0 ⁽¹⁾	0 ⁽¹⁾
-------------	------------------	------------------	------------------	------------------	------------------	------------------	------------------

1. This bit must be set to 0 for the correct operation of the device.

Table 161. EMB_FUNC_INT1 register description

INT1_FSM_LC ⁽¹⁾	Routing FSM long counter timeout interrupt event to INT1. Default value: 0 (0: routing to INT1 disabled; 1: routing to INT1 enabled)
----------------------------	---

1. This bit is activated if the INT1_EMB_FUNC bit of [MD1_CFG \(5Eh\)](#) is set to 1.

11.6 FSM_INT1_A (0Bh)

INT1 pin control register (R/W)

Each bit in this register enables a signal to be carried over INT1. The pin's output supplies the OR combination of the selected signals.

Table 162. FSM_INT1_A register

INT1_FSM8	INT1_FSM7	INT1_FSM6	INT1_FSM5	INT1_FSM4	INT1_FSM3	INT1_FSM2	INT1_FSM1
-----------	-----------	-----------	-----------	-----------	-----------	-----------	-----------

Table 163. FSM_INT1_A register description

INT1_FSM8 ⁽¹⁾	Routing FSM8 interrupt event to INT1. Default value: 0 (0: routing to INT1 disabled; 1: routing to INT1 enabled)
INT1_FSM7 ⁽¹⁾	Routing FSM7 interrupt event to INT1. Default value: 0 (0: routing to INT1 disabled; 1: routing to INT1 enabled)
INT1_FSM6 ⁽¹⁾	Routing FSM6 interrupt event to INT1. Default value: 0 (0: routing to INT1 disabled; 1: routing to INT1 enabled)
INT1_FSM5 ⁽¹⁾	Routing FSM5 interrupt event to INT1. Default value: 0 (0: routing to INT1 disabled; 1: routing to INT1 enabled)
INT1_FSM4 ⁽¹⁾	Routing FSM4 interrupt event to INT1. Default value: 0 (0: routing to INT1 disabled; 1: routing to INT1 enabled)
INT1_FSM3 ⁽¹⁾	Routing FSM3 interrupt event to INT1. Default value: 0 (0: routing to INT1 disabled; 1: routing INT1 enabled)
INT1_FSM2 ⁽¹⁾	Routing FSM2 interrupt event to INT1. Default value: 0 (0: routing to INT1 disabled; 1: routing to INT1 enabled)
INT1_FSM1 ⁽¹⁾	Routing FSM1 interrupt event to INT1. Default value: 0 (0: routing to INT1 disabled; 1: routing to INT1 enabled)

1. This bit is activated if the INT1_EMB_FUNC bit of MD1_CFG (5Eh) is set to 1.

11.7 FSM_INT1_B (0Ch)

INT1 pin control register (R/W)

Each bit in this register enables a signal to be carried over INT1. The pin's output supplies the OR combination of the selected signals.

Table 164. FSM_INT1_B register

INT1_FSM16	INT1_FSM15	INT1_FSM14	INT1_FSM13	INT1_FSM12	INT1_FSM11	INT1_FSM10	INT1_FSM9
------------	------------	------------	------------	------------	------------	------------	-----------

Table 165. FSM_INT1_B register description

INT1_FSM16 ⁽¹⁾	Routing FSM16 interrupt event to INT1. Default value: 0 (0: routing to INT1 disabled; 1: routing to INT1 enabled)
INT1_FSM15 ⁽¹⁾	Routing FSM15 interrupt event to INT1. Default value: 0 (0: routing to INT1 disabled; 1: routing to INT1 enabled)
INT1_FSM14 ⁽¹⁾	Routing FSM14 interrupt event to INT1. Default value: 0 (0: routing to INT1 disabled; 1: routing to INT1 enabled)
INT1_FSM13 ⁽¹⁾	Routing FSM13 interrupt event to INT1. Default value: 0 (0: routing to INT1 disabled; 1: routing to INT1 enabled)
INT1_FSM12 ⁽¹⁾	Routing FSM12 interrupt event to INT1. Default value: 0 (0: routing to INT1 disabled; 1: routing to INT1 enabled)
INT1_FSM11 ⁽¹⁾	Routing FSM11 interrupt event to INT1. Default value: 0 (0: routing to INT1 disabled; 1: routing to INT1 enabled)
INT1_FSM10 ⁽¹⁾	Routing FSM10 interrupt event to INT1. Default value: 0 (0: routing to INT1 disabled; 1: routing to INT1 enabled)
INT1_FSM9 ⁽¹⁾	Routing FSM9 interrupt event to INT1. Default value: 0 (0: routing to INT1 disabled; 1: routing to INT1 enabled)

1. This bit is activated if the INT1_EMB_FUNC bit of MD1_CFG (5Eh) is set to 1.

11.8 MLC_INT1 (0Dh)

INT1 pin control register (R/W)

Each bit in this register enables a signal to be carried over INT1. The pin's output supplies the OR combination of the selected signals.

Table 166. MLC_INT1 register

INT1_MLC8	INT1_MLC7	INT1_MLC6	INT1_MLC5	INT1_MLC4	INT1_MLC3	INT1_MLC2	INT1_MLC1
-----------	-----------	-----------	-----------	-----------	-----------	-----------	-----------

Table 167. MLC_INT1 register description

INT1_MLC8	Routing MLC8 interrupt event to INT1. Default value: 0 (0: routing to INT1 disabled; 1: routing to INT1 enabled)
INT1_MLC7	Routing MLC7 interrupt event to INT1. Default value: 0 (0: routing to INT1 disabled; 1: routing to INT1 enabled)
INT1_MLC6	Routing MLC6 interrupt event to INT1. Default value: 0 (0: routing to INT1 disabled; 1: routing to INT1 enabled)
INT1_MLC5	Routing MLC5 interrupt event to INT1. Default value: 0 (0: routing to INT1 disabled; 1: routing to INT1 enabled)
INT1_MLC4	Routing MLC4 interrupt event to INT1. Default value: 0 (0: routing to INT1 disabled; 1: routing to INT1 enabled)
INT1_MLC3	Routing MLC3 interrupt event to INT1. Default value: 0 (0: routing to INT1 disabled; 1: routing to INT1 enabled)
INT1_MLC2	Routing MLC2 interrupt event to INT1. Default value: 0 (0: routing to INT1 disabled; 1: routing to INT1 enabled)
INT1_MLC1	Routing MLC1 interrupt event to INT1. Default value: 0 (0: routing to INT1 disabled; 1: routing to INT1 enabled)

11.9 EMB_FUNC_INT2 (0Eh)

INT2 pin control register (R/W)

Each bit in this register enables a signal to be carried over INT2. The pin's output supplies the OR combination of the selected signals.

Table 168. EMB_FUNC_INT2 register

INT2_FSM_LC	0 ⁽¹⁾	0 ⁽¹⁾	0 ⁽¹⁾	0 ⁽¹⁾	0 ⁽¹⁾	0 ⁽¹⁾	0 ⁽¹⁾
-------------	------------------	------------------	------------------	------------------	------------------	------------------	------------------

1. This bit must be set to 0 for the correct operation of the device.

Table 169. EMB_FUNC_INT2 register description

INT2_FSM_LC ⁽¹⁾	Routing FSM long counter timeout interrupt event to INT2. Default value: 0 (0: routing to INT2 disabled; 1: routing to INT2 enabled)
----------------------------	---

1. This bit is activated if the INT2_EMB_FUNC bit of MD2_CFG (5Fh) is set to 1.

11.10 FSM_INT2_A (0Fh)

INT2 pin control register (R/W)

Each bit in this register enables a signal to be carried over INT2. The pin's output supplies the OR combination of the selected signals.

Table 170. FSM_INT2_A register

INT2_FSM8	INT2_FSM7	INT2_FSM6	INT2_FSM5	INT2_FSM4	INT2_FSM3	INT2_FSM2	INT2_FSM1
-----------	-----------	-----------	-----------	-----------	-----------	-----------	-----------

Table 171. FSM_INT2_A register description

INT2_FSM8 ⁽¹⁾	Routing FSM8 interrupt event to INT2. Default value: 0 (0: routing to INT2 disabled; 1: routing to INT2 enabled)
INT2_FSM7 ⁽¹⁾	Routing FSM7 interrupt event to INT2. Default value: 0 (0: routing to INT2 disabled; 1: routing to INT2 enabled)
INT2_FSM6 ⁽¹⁾	Routing FSM6 interrupt event to INT2. Default value: 0 (0: routing to INT2 disabled; 1: routing to INT2 enabled)
INT2_FSM5 ⁽¹⁾	Routing FSM5 interrupt event to INT2. Default value: 0 (0: routing to INT2 disabled; 1: routing to INT2 enabled)
INT2_FSM4 ⁽¹⁾	Routing FSM4 interrupt event to INT2. Default value: 0 (0: routing to INT2 disabled; 1: routing to INT2 enabled)
INT2_FSM3 ⁽¹⁾	Routing FSM3 interrupt event to INT2. Default value: 0 (0: routing to INT2 disabled; 1: routing to INT2 enabled) (0: routing to INT1 disabled; 1: routing to INT1 enabled)
INT2_FSM2 ⁽¹⁾	Routing FSM2 interrupt event to INT2. Default value: 0 (0: routing to INT2 disabled; 1: routing to INT2 enabled)
INT2_FSM1 ⁽¹⁾	Routing FSM1 interrupt event to INT2. Default value: 0 (0: routing to INT2 disabled; 1: routing to INT2 enabled)

1. This bit is activated if the INT2_EMB_FUNC bit of MD2_CFG (5Fh) is set to 1.

11.11 FSM_INT2_B (10h)

INT2 pin control register (R/W)

Each bit in this register enables a signal to be carried over INT2. The pin's output supplies the OR combination of the selected signals.

Table 172. FSM_INT2_B register

INT2_FSM16	INT2_FSM15	INT2_FSM14	INT2_FSM13	INT2_FSM12	INT2_FSM11	INT2_FSM10	INT2_FSM9
------------	------------	------------	------------	------------	------------	------------	-----------

Table 173. FSM_INT2_B register description

INT2_FSM16 ⁽¹⁾	Routing FSM16 interrupt event to INT2. Default value: 0 (0: routing to INT2 disabled; 1: routing to INT2 enabled)
INT2_FSM15 ⁽¹⁾	Routing FSM15 interrupt event to INT2. Default value: 0 (0: routing to INT2 disabled; 1: routing to INT2 enabled)
INT2_FSM14 ⁽¹⁾	Routing FSM14 interrupt event to INT2. Default value: 0 (0: routing to INT2 disabled; 1: routing to INT2 enabled)
INT2_FSM13 ⁽¹⁾	Routing FSM13 interrupt event to INT2. Default value: 0 (0: routing to INT2 disabled; 1: routing to INT2 enabled)
INT2_FSM12 ⁽¹⁾	Routing FSM12 interrupt event to INT2. Default value: 0 (0: routing to INT2 disabled; 1: routing to INT2 enabled)
INT2_FSM11 ⁽¹⁾	Routing FSM11 interrupt event to INT2. Default value: 0 (0: routing to INT2 disabled; 1: routing to INT2 enabled)
INT2_FSM10 ⁽¹⁾	Routing FSM10 interrupt event to INT2. Default value: 0 (0: routing to INT2 disabled; 1: routing to INT2 enabled)
INT2_FSM9 ⁽¹⁾	Routing FSM9 interrupt event to INT2. Default value: 0 (0: routing to INT2 disabled; 1: routing to INT2 enabled)

1. This bit is activated if the INT2_EMB_FUNC bit of MD2_CFG (5Fh) is set to 1.

11.12 MLC_INT2 (11h)

INT2 pin control register (R/W)

Each bit in this register enables a signal to be carried over INT2. The pin's output supplies the OR combination of the selected signals.

Table 174. MLC_INT2 register

INT2_MLC8	INT2_MLC7	INT2_MLC6	INT2_MLC5	INT2_MLC4	INT2_MLC3	INT2_MLC2	INT2_MLC1
-----------	-----------	-----------	-----------	-----------	-----------	-----------	-----------

Table 175. MLC_INT2 register description

INT2_MLC8	Routing MLC8 interrupt event to INT2. Default value: 0 (0: routing to INT2 disabled; 1: routing to INT2 enabled)
INT2_MLC7	Routing MLC7 interrupt event to INT2. Default value: 0 (0: routing to INT2 disabled; 1: routing to INT2 enabled)
INT2_MLC6	Routing MLC6 interrupt event to INT2. Default value: 0 (0: routing to INT2 disabled; 1: routing to INT2 enabled)
INT2_MLC5	Routing MLC5 interrupt event to INT2. Default value: 0 (0: routing to INT2 disabled; 1: routing to INT2 enabled)
INT2_MLC4	Routing MLC4 interrupt event to INT2. Default value: 0 (0: routing to INT2 disabled; 1: routing to INT2 enabled)
INT2_MLC3	Routing MLC3 interrupt event to INT2. Default value: 0 (0: routing to INT2 disabled; 1: routing to INT2 enabled)
INT2_MLC2	Routing MLC2 interrupt event to INT2. Default value: 0 (0: routing to INT2 disabled; 1: routing to INT2 enabled)
INT2_MLC1	Routing MLC1 interrupt event to INT2. Default value: 0 (0: routing to INT2 disabled; 1: routing to INT2 enabled)

11.13 EMB_FUNC_STATUS (12h)

Embedded function status register (R)

Table 176. EMB_FUNC_STATUS register

IS_FSM_LC	0	0	0	0	0	0	0
-----------	---	---	---	---	---	---	---

Table 177. EMB_FUNC_STATUS register description

IS_FSM_LC	Interrupt status bit for FSM long counter timeout interrupt event. (1: interrupt detected; 0: no interrupt)
-----------	--

11.14 FSM_STATUS_A (13h)

Finite state machine status register (R)

Table 178. FSM_STATUS_A register

IS_FSM8	IS_FSM7	IS_FSM6	IS_FSM5	IS_FSM4	IS_FSM3	IS_FSM2	IS_FSM1
---------	---------	---------	---------	---------	---------	---------	---------

Table 179. FSM_STATUS_A register description

IS_FSM8	Interrupt status bit for FSM8 interrupt event. (1: interrupt detected; 0: no interrupt)
IS_FSM7	Interrupt status bit for FSM7 interrupt event. (1: interrupt detected; 0: no interrupt)
IS_FSM6	Interrupt status bit for FSM6 interrupt event. (1: interrupt detected; 0: no interrupt)
IS_FSM5	Interrupt status bit for FSM5 interrupt event. (1: interrupt detected; 0: no interrupt)
IS_FSM4	Interrupt status bit for FSM4 interrupt event. (1: interrupt detected; 0: no interrupt)
IS_FSM3	Interrupt status bit for FSM3 interrupt event. (1: interrupt detected; 0: no interrupt)
IS_FSM2	Interrupt status bit for FSM2 interrupt event. (1: interrupt detected; 0: no interrupt)
IS_FSM1	Interrupt status bit for FSM1 interrupt event. (1: interrupt detected; 0: no interrupt)

11.15 FSM_STATUS_B (14h)

Finite state machine status register (R)

Table 180. FSM_STATUS_B register

IS_FSM16	IS_FSM15	IS_FSM14	IS_FSM13	IS_FSM12	IS_FSM11	IS_FSM10	IS_FSM9
----------	----------	----------	----------	----------	----------	----------	---------

Table 181. FSM_STATUS_B register description

IS_FSM16	Interrupt status bit for FSM16 interrupt event. (1: interrupt detected; 0: no interrupt)
IS_FSM15	Interrupt status bit for FSM15 interrupt event. (1: interrupt detected; 0: no interrupt)
IS_FSM14	Interrupt status bit for FSM14 interrupt event. (1: interrupt detected; 0: no interrupt)
IS_FSM13	Interrupt status bit for FSM13 interrupt event. (1: interrupt detected; 0: no interrupt)
IS_FSM12	Interrupt status bit for FSM12 interrupt event. (1: interrupt detected; 0: no interrupt)
IS_FSM11	Interrupt status bit for FSM11 interrupt event. (1: interrupt detected; 0: no interrupt)
IS_FSM10	Interrupt status bit for FSM10 interrupt event. (1: interrupt detected; 0: no interrupt)
IS_FSM9	Interrupt status bit for FSM9 interrupt event. (1: interrupt detected; 0: no interrupt)

11.16 MLC_STATUS (15h)

Machine learning core status register (R)

Table 182. MLC_STATUS register

IS_MLC8	IS_MLC7	IS_MLC6	IS_MLC5	IS_MLC4	IS_MLC3	IS_MLC2	IS_MLC1
---------	---------	---------	---------	---------	---------	---------	---------

Table 183. MLC_STATUS register description

IS_MLC8	Interrupt status bit for MLC8 interrupt event. (1: interrupt detected; 0: no interrupt)
IS_MLC7	Interrupt status bit for MLC7 interrupt event. (1: interrupt detected; 0: no interrupt)
IS_MLC6	Interrupt status bit for MLC6 interrupt event. (1: interrupt detected; 0: no interrupt)
IS_MLC5	Interrupt status bit for MLC5 interrupt event. (1: interrupt detected; 0: no interrupt)
IS_MLC4	Interrupt status bit for MLC4 interrupt event. (1: interrupt detected; 0: no interrupt)
IS_MLC3	Interrupt status bit for MLC3 interrupt event. (1: interrupt detected; 0: no interrupt)
IS_MLC2	Interrupt status bit for MLC2 interrupt event. (1: interrupt detected; 0: no interrupt)
IS_MLC1	Interrupt status bit for MLC1 interrupt event. (1: interrupt detected; 0: no interrupt)

11.17 PAGE_RW (17h)

Enable read and write mode of advanced features dedicated page (R/W)

Table 184. PAGE_RW register

EMB_FUNC_LIR	PAGE_WRITE	PAGE_READ	0 ⁽¹⁾	0 ⁽¹⁾	0 ⁽¹⁾	0 ⁽¹⁾	0 ⁽¹⁾
--------------	------------	-----------	------------------	------------------	------------------	------------------	------------------

1. This bit must be set to 0 for the correct operation of the device.

Table 185. PAGE_RW register description

EMB_FUNC_LIR	Latched interrupt mode for embedded functions. Default value: 0 (0: embedded functions interrupt request not latched; 1: embedded functions interrupt request latched)
PAGE_WRITE	Enables writes to the selected advanced features dedicated page. ⁽¹⁾ Default value: 0 (1: enable; 0: disable)
PAGE_READ	Enables reads from the selected advanced features dedicated page. ⁽¹⁾ Default value: 0 (1: enable; 0: disable)

1. Page selected by PAGE_SEL[3:0] in PAGE_SEL (02h) register.

11.18 FSM_ENABLE_A (46h)

Enable FSM register (R/W)

Table 186. FSM_ENABLE_A register

FSM8_EN	FSM7_EN	FSM6_EN	FSM5_EN	FSM4_EN	FSM3_EN	FSM2_EN	FSM1_EN
---------	---------	---------	---------	---------	---------	---------	---------

Table 187. FSM_ENABLE_A register description

FSM8_EN	Enables FSM8. Default value: 0 (0: FSM8 disabled; 1: FSM8 enabled)
FSM7_EN	Enables FSM7. Default value: 0 (0: FSM7 disabled; 1: FSM7 enabled)
FSM6_EN	Enables FSM6. Default value: 0 (0: FSM6 disabled; 1: FSM6 enabled)
FSM5_EN	Enables FSM5. Default value: 0 (0: FSM5 disabled; 1: FSM5 enabled)
FSM4_EN	Enables FSM4. Default value: 0 (0: FSM4 disabled; 1: FSM4 enabled)
FSM3_EN	Enables FSM3. Default value: 0 (0: FSM3 disabled; 1: FSM3 enabled)
FSM2_EN	Enables FSM2. Default value: 0 (0: FSM2 disabled; 1: FSM2 enabled)
FSM1_EN	Enables FSM1. Default value: 0 (0: FSM1 disabled; 1: FSM1 enabled)

11.19 FSM_ENABLE_B (47h)

Enable FSM register (R/W)

Table 188. FSM_ENABLE_B register

FSM16_EN	FSM15_EN	FSM14_EN	FSM13_EN	FSM12_EN	FSM11_EN	FSM10_EN	FSM9_EN
----------	----------	----------	----------	----------	----------	----------	---------

Table 189. FSM_ENABLE_B register description

FSM16_EN	Enables FSM16. Default value: 0 (0: FSM16 disabled; 1: FSM16 enabled)
FSM15_EN	Enables FSM15. Default value: 0 (0: FSM15 disabled; 1: FSM15 enabled)
FSM14_EN	Enables FSM14. Default value: 0 (0: FSM14 disabled; 1: FSM14 enabled)
FSM13_EN	Enables FSM13. Default value: 0 (0: FSM13 disabled; 1: FSM13 enabled)
FSM12_EN	Enables FSM12. Default value: 0 (0: FSM12 disabled; 1: FSM12 enabled)
FSM11_EN	Enables FSM11. Default value: 0 (0: FSM11 disabled; 1: FSM11 enabled)
FSM10_EN	Enables FSM10. Default value: 0 (0: FSM10 disabled; 1: FSM10 enabled)
FSM9_EN	Enables FSM9. Default value: 0 (0: FSM9 disabled; 1: FSM9 enabled)

11.20 FSM_LONG_COUNTER_L (48h) and FSM_LONG_COUNTER_H (49h)

FSM long counter status register (R/W)

Long counter value is an unsigned integer value (16-bit format); this value can be reset using the LC_CLEAR bit in FSM_LONG_COUNTER_CLEAR (4Ah) register.

Table 190. FSM_LONG_COUNTER_L register

FSM_LC_7	FSM_LC_6	FSM_LC_5	FSM_LC_4	FSM_LC_3	FSM_LC_2	FSM_LC_1	FSM_LC_0
----------	----------	----------	----------	----------	----------	----------	----------

Table 191. FSM_LONG_COUNTER_L register description

FSM_LC_[7:0]	Long counter current value (LSbyte). Default value: 00000000
--------------	--

Table 192. FSM_LONG_COUNTER_H register

FSM_LC_15	FSM_LC_14	FSM_LC_13	FSM_LC_12	FSM_LC_11	FSM_LC_10	FSM_LC_9	FSM_LC_8
-----------	-----------	-----------	-----------	-----------	-----------	----------	----------

Table 193. FSM_LONG_COUNTER_H register description

FSM_LC_[15:8]	Long counter current value (MSbyte). Default value: 00000000
---------------	--

11.21 FSM_LONG_COUNTER_CLEAR (4Ah)

FSM long counter reset register (R/W)

Table 194. FSM_LONG_COUNTER_CLEAR register

0 ⁽¹⁾	0 ⁽¹⁾	0 ⁽¹⁾	0 ⁽¹⁾	0 ⁽¹⁾	0 ⁽¹⁾	FSM_LC_CLEARED	FSM_LC_CLEAR
------------------	------------------	------------------	------------------	------------------	------------------	----------------	--------------

1. This bit must be set to 0 for the correct operation of the device.

Table 195. FSM_LONG_COUNTER_CLEAR register description

FSM_LC_CLEARED	This read-only bit is automatically set to 1 when the long counter reset is done. Default value: 0
FSM_LC_CLEAR	Clear FSM long counter value. Default value: 0

11.22 FSM_OUTS1 (4Ch)

FSM1 output register (R)

Table 196. FSM_OUTS1 register

P_X	N_X	P_Y	N_Y	P_Z	N_Z	P_V	N_V
-----	-----	-----	-----	-----	-----	-----	-----

Table 197. FSM_OUTS1 register description

P_X	FSM1 output: positive event detected on the X-axis. (0: event not detected; 1: event detected)
N_X	FSM1 output: negative event detected on the X-axis. (0: event not detected; 1: event detected)
P_Y	FSM1 output: positive event detected on the Y-axis. (0: event not detected; 1: event detected)
N_Y	FSM1 output: negative event detected on the Y-axis. (0: event not detected; 1: event detected)
P_Z	FSM1 output: positive event detected on the Z-axis. (0: event not detected; 1: event detected)
N_Z	FSM1 output: negative event detected on the Z-axis. (0: event not detected; 1: event detected)
P_V	FSM1 output: positive event detected on the vector. (0: event not detected; 1: event detected)
N_V	FSM1 output: negative event detected on the vector. (0: event not detected; 1: event detected)

11.23 FSM_OUTS2 (4Dh)

FSM2 output register (R)

Table 198. FSM_OUTS2 register

P_X	N_X	P_Y	N_Y	P_Z	N_Z	P_V	N_V
-----	-----	-----	-----	-----	-----	-----	-----

Table 199. FSM_OUTS2 register description

P_X	FSM2 output: positive event detected on the X-axis. (0: event not detected; 1: event detected)
N_X	FSM2 output: negative event detected on the X-axis. (0: event not detected; 1: event detected)
P_Y	FSM2 output: positive event detected on the Y-axis. (0: event not detected; 1: event detected)
N_Y	FSM2 output: negative event detected on the Y-axis. (0: event not detected; 1: event detected)
P_Z	FSM2 output: positive event detected on the Z-axis. (0: event not detected; 1: event detected)
N_Z	FSM2 output: negative event detected on the Z-axis. (0: event not detected; 1: event detected)
P_V	FSM2 output: positive event detected on the vector. (0: event not detected; 1: event detected)
N_V	FSM2 output: negative event detected on the vector. (0: event not detected; 1: event detected)

11.24 FSM_OUTS3 (4Eh)

FSM3 output register (R)

Table 200. FSM_OUTS3 register

P_X	N_X	P_Y	N_Y	P_Z	N_Z	P_V	N_V
-----	-----	-----	-----	-----	-----	-----	-----

Table 201. FSM_OUTS3 register description

P_X	FSM3 output: positive event detected on the X-axis. (0: event not detected; 1: event detected)
N_X	FSM3 output: negative event detected on the X-axis. (0: event not detected; 1: event detected)
P_Y	FSM3 output: positive event detected on the Y-axis. (0: event not detected; 1: event detected)
N_Y	FSM3 output: negative event detected on the Y-axis. (0: event not detected; 1: event detected)
P_Z	FSM3 output: positive event detected on the Z-axis. (0: event not detected; 1: event detected)
N_Z	FSM3 output: negative event detected on the Z-axis. (0: event not detected; 1: event detected)
P_V	FSM3 output: positive event detected on the vector. (0: event not detected; 1: event detected)
N_V	FSM3 output: negative event detected on the vector. (0: event not detected; 1: event detected)

11.25 FSM_OUTS4 (4Fh)

FSM4 output register (R)

Table 202. FSM_OUTS4 register

P_X	N_X	P_Y	N_Y	P_Z	N_Z	P_V	N_V
-----	-----	-----	-----	-----	-----	-----	-----

Table 203. FSM_OUTS4 register description

P_X	FSM4 output: positive event detected on the X-axis. (0: event not detected; 1: event detected)
N_X	FSM4 output: negative event detected on the X-axis. (0: event not detected; 1: event detected)
P_Y	FSM4 output: positive event detected on the Y-axis. (0: event not detected; 1: event detected)
N_Y	FSM4 output: negative event detected on the Y-axis. (0: event not detected; 1: event detected)
P_Z	FSM4 output: positive event detected on the Z-axis. (0: event not detected; 1: event detected)
N_Z	FSM4 output: negative event detected on the Z-axis. (0: event not detected; 1: event detected)
P_V	FSM4 output: positive event detected on the vector. (0: event not detected; 1: event detected)
N_V	FSM4 output: negative event detected on the vector. (0: event not detected; 1: event detected)

11.26 FSM_OUTS5 (50h)

FSM5 output register (R)

Table 204. FSM_OUTS5 register

P_X	N_X	P_Y	N_Y	P_Z	N_Z	P_V	N_V
-----	-----	-----	-----	-----	-----	-----	-----

Table 205. FSM_OUTS5 register description

P_X	FSM5 output: positive event detected on the X-axis. (0: event not detected; 1: event detected)
N_X	FSM5 output: negative event detected on the X-axis. (0: event not detected; 1: event detected)
P_Y	FSM5 output: positive event detected on the Y-axis. (0: event not detected; 1: event detected)
N_Y	FSM5 output: negative event detected on the Y-axis. (0: event not detected; 1: event detected)
P_Z	FSM5 output: positive event detected on the Z-axis. (0: event not detected; 1: event detected)
N_Z	FSM5 output: negative event detected on the Z-axis. (0: event not detected; 1: event detected)
P_V	FSM5 output: positive event detected on the vector. (0: event not detected; 1: event detected)
N_V	FSM5 output: negative event detected on the vector. (0: event not detected; 1: event detected)

11.27 FSM_OUTS6 (51h)

FSM6 output register (R)

Table 206. FSM_OUTS6 register

P_X	N_X	P_Y	N_Y	P_Z	N_Z	P_V	N_V
-----	-----	-----	-----	-----	-----	-----	-----

Table 207. FSM_OUTS6 register description

P_X	FSM6 output: positive event detected on the X-axis. (0: event not detected; 1: event detected)
N_X	FSM6 output: negative event detected on the X-axis. (0: event not detected; 1: event detected)
P_Y	FSM6 output: positive event detected on the Y-axis. (0: event not detected; 1: event detected)
N_Y	FSM6 output: negative event detected on the Y-axis. (0: event not detected; 1: event detected)
P_Z	FSM6 output: positive event detected on the Z-axis. (0: event not detected; 1: event detected)
N_Z	FSM6 output: negative event detected on the Z-axis. (0: event not detected; 1: event detected)
P_V	FSM6 output: positive event detected on the vector. (0: event not detected; 1: event detected)
N_V	FSM6 output: negative event detected on the vector. (0: event not detected; 1: event detected)

11.28 FSM_OUTS7 (52h)
FSM7 output register (R)

Table 208. FSM_OUTS7 register

P_X	N_X	P_Y	N_Y	P_Z	N_Z	P_V	N_V
-----	-----	-----	-----	-----	-----	-----	-----

Table 209. FSM_OUTS7 register description

P_X	FSM7 output: positive event detected on the X-axis. (0: event not detected; 1: event detected)
N_X	FSM7 output: negative event detected on the X-axis. (0: event not detected; 1: event detected)
P_Y	FSM7 output: positive event detected on the Y-axis. (0: event not detected; 1: event detected)
N_Y	FSM7 output: negative event detected on the Y-axis. (0: event not detected; 1: event detected)
P_Z	FSM7 output: positive event detected on the Z-axis. (0: event not detected; 1: event detected)
N_Z	FSM7 output: negative event detected on the Z-axis. (0: event not detected; 1: event detected)
P_V	FSM7 output: positive event detected on the vector. (0: event not detected; 1: event detected)
N_V	FSM7 output: negative event detected on the vector. (0: event not detected; 1: event detected)

11.29 FSM_OUTS8 (53h)

FSM8 output register (R)

Table 210. FSM_OUTS8 register

P_X	N_X	P_Y	N_Y	P_Z	N_Z	P_V	N_V
-----	-----	-----	-----	-----	-----	-----	-----

Table 211. FSM_OUTS8 register description

P_X	FSM8 output: positive event detected on the X-axis. (0: event not detected; 1: event detected)
N_X	FSM8 output: negative event detected on the X-axis. (0: event not detected; 1: event detected)
P_Y	FSM8 output: positive event detected on the Y-axis. (0: event not detected; 1: event detected)
N_Y	FSM8 output: negative event detected on the Y-axis. (0: event not detected; 1: event detected)
P_Z	FSM8 output: positive event detected on the Z-axis. (0: event not detected; 1: event detected)
N_Z	FSM8 output: negative event detected on the Z-axis. (0: event not detected; 1: event detected)
P_V	FSM8 output: positive event detected on the vector. (0: event not detected; 1: event detected)
N_V	FSM8 output: negative event detected on the vector. (0: event not detected; 1: event detected)

11.30 FSM_OUTS9 (54h)

FSM9 output register (R)

Table 212. FSM_OUTS9 register

P_X	N_X	P_Y	N_Y	P_Z	N_Z	P_V	N_V
-----	-----	-----	-----	-----	-----	-----	-----

Table 213. FSM_OUTS9 register description

P_X	FSM9 output: positive event detected on the X-axis. (0: event not detected; 1: event detected)
N_X	FSM9 output: negative event detected on the X-axis. (0: event not detected; 1: event detected)
P_Y	FSM9 output: positive event detected on the Y-axis. (0: event not detected; 1: event detected)
N_Y	FSM9 output: negative event detected on the Y-axis. (0: event not detected; 1: event detected)
P_Z	FSM9 output: positive event detected on the Z-axis. (0: event not detected; 1: event detected)
N_Z	FSM9 output: negative event detected on the Z-axis. (0: event not detected; 1: event detected)
P_V	FSM9 output: positive event detected on the vector. (0: event not detected; 1: event detected)
N_V	FSM9 output: negative event detected on the vector. (0: event not detected; 1: event detected)

11.31 FSM_OUTS10 (55h)

FSM10 output register (R)

Table 214. FSM_OUTS10 register

P_X	N_X	P_Y	N_Y	P_Z	N_Z	P_V	N_V
-----	-----	-----	-----	-----	-----	-----	-----

Table 215. FSM_OUTS10 register description

P_X	FSM10 output: positive event detected on the X-axis. (0: event not detected; 1: event detected)
N_X	FSM10 output: negative event detected on the X-axis. (0: event not detected; 1: event detected)
P_Y	FSM10 output: positive event detected on the Y-axis. (0: event not detected; 1: event detected)
N_Y	FSM10 output: negative event detected on the Y-axis. (0: event not detected; 1: event detected)
P_Z	FSM10 output: positive event detected on the Z-axis. (0: event not detected; 1: event detected)
N_Z	FSM10 output: negative event detected on the Z-axis. (0: event not detected; 1: event detected)
P_V	FSM10 output: positive event detected on the vector. (0: event not detected; 1: event detected)
N_V	FSM10 output: negative event detected on the vector. (0: event not detected; 1: event detected)

11.32 FSM_OUTS11 (56h)

FSM11 output register (R)

Table 216. FSM_OUTS11 register

P_X	N_X	P_Y	N_Y	P_Z	N_Z	P_V	N_V
-----	-----	-----	-----	-----	-----	-----	-----

Table 217. FSM_OUTS11 register description

P_X	FSM11 output: positive event detected on the X-axis. (0: event not detected; 1: event detected)
N_X	FSM11 output: negative event detected on the X-axis. (0: event not detected; 1: event detected)
P_Y	FSM11 output: positive event detected on the Y-axis. (0: event not detected; 1: event detected)
N_Y	FSM11 output: negative event detected on the Y-axis. (0: event not detected; 1: event detected)
P_Z	FSM11 output: positive event detected on the Z-axis. (0: event not detected; 1: event detected)
N_Z	FSM11 output: negative event detected on the Z-axis. (0: event not detected; 1: event detected)
P_V	FSM11 output: positive event detected on the vector. (0: event not detected; 1: event detected)
N_V	FSM11 output: negative event detected on the vector. (0: event not detected; 1: event detected)

11.33 FSM_OUTS12 (57h)

FSM12 output register (R)

Table 218. FSM_OUTS12 register

P_X	N_X	P_Y	N_Y	P_Z	N_Z	P_V	N_V
-----	-----	-----	-----	-----	-----	-----	-----

Table 219. FSM_OUTS12 register description

P_X	FSM12 output: positive event detected on the X-axis. (0: event not detected; 1: event detected)
N_X	FSM12 output: negative event detected on the X-axis. (0: event not detected; 1: event detected)
P_Y	FSM12 output: positive event detected on the Y-axis. (0: event not detected; 1: event detected)
N_Y	FSM12 output: negative event detected on the Y-axis. (0: event not detected; 1: event detected)
P_Z	FSM12 output: positive event detected on the Z-axis. (0: event not detected; 1: event detected)
N_Z	FSM12 output: negative event detected on the Z-axis. (0: event not detected; 1: event detected)
P_V	FSM12 output: positive event detected on the vector. (0: event not detected; 1: event detected)
N_V	FSM12 output: negative event detected on the vector. (0: event not detected; 1: event detected)

11.34 FSM_OUTS13 (58h)

FSM13 output register (R)

Table 220. FSM_OUTS13 register

P_X	N_X	P_Y	N_Y	P_Z	N_Z	P_V	N_V
-----	-----	-----	-----	-----	-----	-----	-----

Table 221. FSM_OUTS13 register description

P_X	FSM13 output: positive event detected on the X-axis. (0: event not detected; 1: event detected)
N_X	FSM13 output: negative event detected on the X-axis. (0: event not detected; 1: event detected)
P_Y	FSM13 output: positive event detected on the Y-axis. (0: event not detected; 1: event detected)
N_Y	FSM13 output: negative event detected on the Y-axis. (0: event not detected; 1: event detected)
P_Z	FSM13 output: positive event detected on the Z-axis. (0: event not detected; 1: event detected)
N_Z	FSM13 output: negative event detected on the Z-axis. (0: event not detected; 1: event detected)
P_V	FSM13 output: positive event detected on the vector. (0: event not detected; 1: event detected)
N_V	FSM13 output: negative event detected on the vector. (0: event not detected; 1: event detected)

11.35 FSM_OUTS14 (59h)

FSM14 output register (R)

Table 222. FSM_OUTS14 register

P_X	N_X	P_Y	N_Y	P_Z	N_Z	P_V	N_V
-----	-----	-----	-----	-----	-----	-----	-----

Table 223. FSM_OUTS14 register description

P_X	FSM14 output: positive event detected on the X-axis. (0: event not detected; 1: event detected)
N_X	FSM14 output: negative event detected on the X-axis. (0: event not detected; 1: event detected)
P_Y	FSM14 output: positive event detected on the Y-axis. (0: event not detected; 1: event detected)
N_Y	FSM14 output: negative event detected on the Y-axis. (0: event not detected; 1: event detected)
P_Z	FSM14 output: positive event detected on the Z-axis. (0: event not detected; 1: event detected)
N_Z	FSM14 output: negative event detected on the Z-axis. (0: event not detected; 1: event detected)
P_V	FSM14 output: positive event detected on the vector. (0: event not detected; 1: event detected)
N_V	FSM14 output: negative event detected on the vector. (0: event not detected; 1: event detected)

11.36 FSM_OUTS15 (5Ah)

FSM15 output register (R)

Table 224. FSM_OUTS15 register

P_X	N_X	P_Y	N_Y	P_Z	N_Z	P_V	N_V
-----	-----	-----	-----	-----	-----	-----	-----

Table 225. FSM_OUTS15 register description

P_X	FSM15 output: positive event detected on the X-axis. (0: event not detected; 1: event detected)
N_X	FSM15 output: negative event detected on the X-axis. (0: event not detected; 1: event detected)
P_Y	FSM15 output: positive event detected on the Y-axis. (0: event not detected; 1: event detected)
N_Y	FSM15 output: negative event detected on the Y-axis. (0: event not detected; 1: event detected)
P_Z	FSM15 output: positive event detected on the Z-axis. (0: event not detected; 1: event detected)
N_Z	FSM15 output: negative event detected on the Z-axis. (0: event not detected; 1: event detected)
P_V	FSM15 output: positive event detected on the vector. (0: event not detected; 1: event detected)
N_V	FSM15 output: negative event detected on the vector. (0: event not detected; 1: event detected)

11.37 FSM_OUTS16 (5Bh)

FSM16 output register (R)

Table 226. FSM_OUTS16 register

P_X	N_X	P_Y	N_Y	P_Z	N_Z	P_V	N_V
-----	-----	-----	-----	-----	-----	-----	-----

Table 227. FSM_OUTS16 register description

P_X	FSM16 output: positive event detected on the X-axis. (0: event not detected; 1: event detected)
N_X	FSM16 output: negative event detected on the X-axis. (0: event not detected; 1: event detected)
P_Y	FSM16 output: positive event detected on the Y-axis. (0: event not detected; 1: event detected)
N_Y	FSM16 output: negative event detected on the Y-axis. (0: event not detected; 1: event detected)
P_Z	FSM16 output: positive event detected on the Z-axis. (0: event not detected; 1: event detected)
N_Z	FSM16 output: negative event detected on the Z-axis. (0: event not detected; 1: event detected)
P_V	FSM16 output: positive event detected on the vector. (0: event not detected; 1: event detected)
N_V	FSM16 output: negative event detected on the vector. (0: event not detected; 1: event detected)

11.38 EMB_FUNC_ODR_CFG_B (5Fh)

Finite state machine output data rate configuration register (R/W)

Table 228. EMB_FUNC_ODR_CFG_B register

0 ⁽¹⁾	1 ⁽²⁾	0 ⁽¹⁾	FSM_ODR1	FSM_ODR0	0 ⁽¹⁾	1 ⁽²⁾	1 ⁽²⁾
------------------	------------------	------------------	----------	----------	------------------	------------------	------------------

1. This bit must be set to 0 for the correct operation of the device.
2. This bit must be set to 1 for the correct operation of the device

Table 229. EMB_FUNC_ODR_CFG_B register description

FSM_ODR[1:0]	Finite state machine ODR configuration: (00: 12.5 Hz; 01: 26 Hz (default); 10: 52 Hz; 11: 104 Hz)
--------------	---

11.39 EMB_FUNC_ODR_CFG_C (60h)

Machine learning core output data rate configuration register (R/W)

Table 230. EMB_FUNC_ODR_CFG_C register

0 ⁽¹⁾	0 ⁽¹⁾	MLC_ODR1	MLC_ODR0	0 ⁽¹⁾	1 ⁽²⁾	0 ⁽¹⁾	1 ⁽²⁾
------------------	------------------	----------	----------	------------------	------------------	------------------	------------------

1. This bit must be set to 0 for the correct operation of the device.
2. This bit must be set to 1 for the correct operation of the device.

Table 231. EMB_FUNC_ODR_CFG_C register description

MLC_ODR[1:0]	Machine learning core ODR configuration: (00: 12.5 Hz; 01: 26 Hz (default); 10: 52 Hz; 11: 104 Hz)
--------------	--

11.40 EMB_FUNC_INIT_B (67h)

Embedded functions initialization register (R/W)

Table 232. EMB_FUNC_INIT_B register

0 ⁽¹⁾	0 ⁽¹⁾	0 ⁽¹⁾	MLC_INIT	0 ⁽¹⁾	0 ⁽¹⁾	0 ⁽¹⁾	FSM_INIT
------------------	------------------	------------------	----------	------------------	------------------	------------------	----------

1. This bit must be set to 0 for the correct operation of the device.

Table 233. EMB_FUNC_INIT_B register description

MLC_INIT	Machine learning core initialization request. Default value: 0
FSM_INIT	Finite state machine initialization request. Default value: 0

11.41 MLC0_SRC (70h)

Machine learning core source register (R)

Table 234. MLC0_SRC register

MLC0_SRC_7	MLC0_SRC_6	MLC0_SRC_5	MLC0_SRC_4	MLC0_SRC_3	MLC0_SRC_2	MLC0_SRC_1	MLC0_SRC_0
------------	------------	------------	------------	------------	------------	------------	------------

Table 235. MLC0_SRC register description

MLC0_SRC_[7:0]	Output value of MLC0 decision tree
----------------	------------------------------------

11.42 MLC1_SRC (71h)

Machine learning core source register (R)

Table 236. MLC1_SRC register

MLC1_SRC_7	MLC1_SRC_6	MLC1_SRC_5	MLC1_SRC_4	MLC1_SRC_3	MLC1_SRC_2	MLC1_SRC_1	MLC1_SRC_0
------------	------------	------------	------------	------------	------------	------------	------------

Table 237. MLC1_SRC register description

MLC1_SRC_[7:0]	Output value of MLC1 decision tree
----------------	------------------------------------

11.43 MLC2_SRC (72h)

Machine learning core source register (R)

Table 238. MLC2_SRC register

MLC2_SRC_7	MLC2_SRC_6	MLC2_SRC_5	MLC2_SRC_4	MLC2_SRC_3	MLC2_SRC_2	MLC2_SRC_1	MLC2_SRC_0
------------	------------	------------	------------	------------	------------	------------	------------

Table 239. MLC2_SRC register description

MLC2_SRC_[7:0]	Output value of MLC2 decision tree
----------------	------------------------------------

11.44 MLC3_SRC (73h)

Machine learning core source register (R)

Table 240. MLC3_SRC register

MLC3_SRC_7	MLC3_SRC_6	MLC3_SRC_5	MLC3_SRC_4	MLC3_SRC_3	MLC3_SRC_2	MLC3_SRC_1	MLC3_SRC_0
------------	------------	------------	------------	------------	------------	------------	------------

Table 241. MLC3_SRC register description

MLC3_SRC_[7:0]	Output value of MLC3 decision tree
----------------	------------------------------------

11.45 MLC4_SRC (74h)

Machine learning core source register (R)

Table 242. MLC4_SRC register

MLC4_SRC_7	MLC4_SRC_6	MLC4_SRC_5	MLC4_SRC_4	MLC4_SRC_3	MLC4_SRC_2	MLC4_SRC_1	MLC4_SRC_0
------------	------------	------------	------------	------------	------------	------------	------------

Table 243. MLC4_SRC register description

MLC4_SRC_[7:0]	Output value of MLC4 decision tree
----------------	------------------------------------

11.46 MLC5_SRC (75h)

Machine learning core source register (R)

Table 244. MLC5_SRC register

MLC5_SRC_7	MLC5_SRC_6	MLC5_SRC_5	MLC5_SRC_4	MLC5_SRC_3	MLC5_SRC_2	MLC5_SRC_1	MLC5_SRC_0
------------	------------	------------	------------	------------	------------	------------	------------

Table 245. MLC5_SRC register description

MLC5_SRC_[7:0]	Output value of MLC5 decision tree
----------------	------------------------------------

11.47 MLC6_SRC (76h)

Machine learning core source register (R)

Table 246. MLC6_SRC register

MLC6_SRC_7	MLC6_SRC_6	MLC6_SRC_5	MLC6_SRC_4	MLC6_SRC_3	MLC6_SRC_2	MLC6_SRC_1	MLC6_SRC_0
------------	------------	------------	------------	------------	------------	------------	------------

Table 247. MLC6_SRC register description

MLC6_SRC_[7:0]	Output value of MLC6 decision tree
----------------	------------------------------------

11.48 MLC7_SRC (77h)

Machine learning core source register (R)

Table 248. MLC7_SRC register

MLC7_SRC_7	MLC7_SRC_6	MLC7_SRC_5	MLC7_SRC_4	MLC7_SRC_3	MLC7_SRC_2	MLC7_SRC_1	MLC7_SRC_0
------------	------------	------------	------------	------------	------------	------------	------------

Table 249. MLC7_SRC register description

MLC7_SRC_[7:0]	Output value of MLC7 decision tree
----------------	------------------------------------

12 Embedded advanced features

The following table provides a list of the registers for the embedded advanced features page 0. These registers are accessible when PAGE_SEL[3:0] are set to 0000 in [PAGE_SEL \(02h\)](#).

Table 250. Register address map - embedded advanced features page 0

Name	Type	Register address		Default	Comment
		Hex	Binary		
MAG_SENSITIVITY_L	R/W	BA	10111010	00100100	
MAG_SENSITIVITY_H	R/W	BB	10111011	00010110	
MAG_OFFX_L	R/W	C0	11000000	00000000	
MAG_OFFX_H	R/W	C1	11000001	00000000	
MAG_OFFY_L	R/W	C2	11000010	00000000	
MAG_OFFY_H	R/W	C3	11000011	00000000	
MAG_OFFZ_L	R/W	C4	11000100	00000000	
MAG_OFFZ_H	R/W	C5	11000101	00000000	
MAG_SI_XX_L	R/W	C6	11000110	00000000	
MAG_SI_XX_H	R/W	C7	11000111	00111100	
MAG_SI_XY_L	R/W	C8	11001000	00000000	
MAG_SI_XY_H	R/W	C9	11001001	00000000	
MAG_SI_XZ_L	R/W	CA	11001010	00000000	
MAG_SI_XZ_H	R/W	CB	11001011	00000000	
MAG_SI_YY_L	R/W	CC	11001100	00000000	
MAG_SI_YY_H	R/W	CD	11001101	00111100	
MAG_SI_YZ_L	R/W	CE	11001110	00000000	
MAG_SI_YZ_H	R/W	CF	11001111	00000000	
MAG_SI_ZZ_L	R/W	D0	11010000	00000000	
MAG_SI_ZZ_H	R/W	D1	11010001	00111100	
MAG_CFG_A	R/W	D4	11010100	00000101	
MAG_CFG_B	R/W	D5	11010101	00000010	

The following table provides a list of the registers for the embedded advanced features page 1. These registers are accessible when PAGE_SEL[3:0] are set to 0001 in [PAGE_SEL \(02h\)](#).

Table 251. Register address map - embedded advanced features page 1

Name	Type	Register address		Default	Comment
		Hex	Binary		
FSM_LC_TIMEOUT_L	R/W	7A	01111010	00000000	
FSM_LC_TIMEOUT_H	R/W	7B	01111011	00000000	
FSM_PROGRAMS	R/W	7C	01111100	00000000	
FSM_START_ADD_L	R/W	7E	01111110	00000000	
FSM_START_ADD_H	R/W	7F	01111111	00000000	
MLC_MAG_SENSITIVITY_L	R/W	E8	11101000	00000000	
MLC_MAG_SENSITIVITY_H	R/W	E9	11101001	00111100	

Reserved registers must not be changed. Writing to those registers may cause permanent damage to the device. The content of the registers that are loaded at boot should not be changed. They contain the factory calibration values. Their content is automatically restored when the device is powered up.

Write procedure example:

Example: write value 01h in register at address 7Ch (FSM_PROGRAMS) in page 1

1. Write bit FUNC_CFG_EN = 1 in FUNC_CFG_ACCESS (01h) // Enable access to embedded functions registers
2. Write bit PAGE_WRITE = 1 in PAGE_RW (17h) // Select write operation mode
3. Write 0001 in the PAGE_SEL[3:0] field of PAGE_SEL (02h) // Select page 1
4. Write 7Ch in PAGE_ADDRESS (08h) // Set address
5. Write 01h in PAGE_VALUE (09h) // Set value to be written
6. Write bit PAGE_WRITE = 0 in PAGE_RW (17h) // Write operation disabled
7. Write bit FUNC_CFG_EN = 0 in FUNC_CFG_ACCESS (01h) // Disable access to embedded functions registers

Read procedure example:

Example: read value of register at address 7Ch (FSM_PROGRAMS) in page 1

1. Write bit FUNC_CFG_EN = 1 in FUNC_CFG_ACCESS (01h) // Enable access to embedded functions registers
2. Write bit PAGE_READ = 1 in PAGE_RW (17h) // Select read operation mode
3. Write 0001 in the PAGE_SEL[3:0] field of PAGE_SEL (02h) // Select page 1
4. Write 7Ch in PAGE_ADDRESS (08h) // Set address
5. Read value of PAGE_VALUE (09h) // Get register value
6. Write bit PAGE_READ = 0 in PAGE_RW (17h) // Read operation disabled
7. Write bit FUNC_CFG_EN = 0 in FUNC_CFG_ACCESS (01h) // Disable access to embedded functions registers

Note: Steps 1 and 2 of both procedures are intended to be performed at the beginning of the procedure. Steps 6 and 7 of both procedures are intended to be performed at the end of the procedure. If the procedure involves multiple operations, only steps 3, 4 and 5 must be repeated for each operation. If, in particular, the multiple operations involve consecutive registers, only step 5 can be performed.

13 Embedded advanced features register description

13.1 Page 0 - embedded advanced features registers

13.1.1 **MAG_SENSITIVITY_L (BAh) and MAG_SENSITIVITY_H (BBh)**

External magnetometer sensitivity value register for the finite state machine (R/W)

This register corresponds to the LSB-to-gauss conversion value of the external magnetometer sensor. The register value is expressed as half-precision floating-point format: SEEEEEEEEEEEEEEEE

(S: 1 sign bit; E: 5 exponent bits; F: 10 fraction bits).

Default value of MAG_SENS[15:0] is 0x1624, corresponding to 0.0015 gauss/LSB.

Table 252. MAG_SENSITIVITY_L register

MAG_SENS_7	MAG_SENS_6	MAG_SENS_5	MAG_SENS_4	MAG_SENS_3	MAG_SENS_2	MAG_SENS_1	MAG_SENS_0
------------	------------	------------	------------	------------	------------	------------	------------

Table 253. MAG_SENSITIVITY_L register description

MAG_SENS_[7:0]	External magnetometer sensitivity (LSbyte). Default value: 00100100
----------------	---

Table 254. MAG_SENSITIVITY_H register

MAG_SENS_15	MAG_SENS_14	MAG_SENS_13	MAG_SENS_12	MAG_SENS_11	MAG_SENS_10	MAG_SENS_9	MAG_SENS_8
-------------	-------------	-------------	-------------	-------------	-------------	------------	------------

Table 255. MAG_SENSITIVITY_H register description

MAG_SENS_[15:8]	External magnetometer sensitivity (MSbyte). Default value: 00010110
-----------------	---

13.1.2 MAG_OFFX_L (C0h) and MAG_OFFX_H (C1h)

Offset for X-axis hard-iron compensation register (R/W)

The value is expressed as half-precision floating-point format: SEEEEEFFFFFFFFFFFF

(S: 1 sign bit; E: 5 exponent bits; F: 10 fraction bits).

Table 256. MAG_OFFX_L register

MAG_OFFX_7	MAG_OFFX_6	MAG_OFFX_5	MAG_OFFX_4	MAG_OFFX_3	MAG_OFFX_2	MAG_OFFX_1	MAG_OFFX_0
------------	------------	------------	------------	------------	------------	------------	------------

Table 257. MAG_OFFX_L register description

MAG_OFFX_[7:0]	Offset for X-axis hard-iron compensation (LSbyte). Default value: 00000000
----------------	--

Table 258. MAG_OFFX_H register

MAG_OFFX_15	MAG_OFFX_14	MAG_OFFX_13	MAG_OFFX_12	MAG_OFFX_11	MAG_OFFX_10	MAG_OFFX_9	MAG_OFFX_8
-------------	-------------	-------------	-------------	-------------	-------------	------------	------------

Table 259. MAG_OFFX_H register description

MAG_OFFX_[15:8]	Offset for X-axis hard-iron compensation (MSbyte). Default value: 00000000
-----------------	--

13.1.3 MAG_OFFY_L (C2h) and MAG_OFFY_H (C3h)

Offset for Y-axis hard-iron compensation register (R/W)

The value is expressed as half-precision floating-point format: SEEEEEFFFFFFFFFFFF

(S: 1 sign bit; E: 5 exponent bits; F: 10 fraction bits).

Table 260. MAG_OFFY_L register

MAG_OFFY_7	MAG_OFFY_6	MAG_OFFY_5	MAG_OFFY_4	MAG_OFFY_3	MAG_OFFY_2	MAG_OFFY_1	MAG_OFFY_0
------------	------------	------------	------------	------------	------------	------------	------------

Table 261. MAG_OFFY_L register description

MAG_OFFY_[7:0]	Offset for Y-axis hard-iron compensation (LSbyte). Default value: 00000000
----------------	--

Table 262. MAG_OFFY_H register

MAG_OFFY_15	MAG_OFFY_14	MAG_OFFY_13	MAG_OFFY_12	MAG_OFFY_11	MAG_OFFY_10	MAG_OFFY_9	MAG_OFFY_8
-------------	-------------	-------------	-------------	-------------	-------------	------------	------------

Table 263. MAG_OFFY_H register description

MAG_OFFY_[15:8]	Offset for Y-axis hard-iron compensation (MSbyte). Default value: 00000000
-----------------	--

13.1.4 MAG_OFFZ_L (C4h) and MAG_OFFZ_H (C5h)

Offset for Z-axis hard-iron compensation register (R/W)

The value is expressed as half-precision floating-point format: SEEEEEFFFFFFFFFFFF

(S: 1 sign bit; E: 5 exponent bits; F: 10 fraction bits).

Table 264. MAG_OFFZ_L register

MAG_OFFZ_7	MAG_OFFZ_6	MAG_OFFZ_5	MAG_OFFZ_4	MAG_OFFZ_3	MAG_OFFZ_2	MAG_OFFZ_1	MAG_OFFZ_0
------------	------------	------------	------------	------------	------------	------------	------------

Table 265. MAG_OFFZ_L register description

MAG_OFFZ_[7:0]	Offset for Z-axis hard-iron compensation (LSbyte). Default value: 00000000
----------------	--

Table 266. MAG_OFFZ_H register

MAG_OFFZ_15	MAG_OFFZ_14	MAG_OFFZ_13	MAG_OFFZ_12	MAG_OFFZ_11	MAG_OFFZ_10	MAG_OFFZ_9	MAG_OFFZ_8
-------------	-------------	-------------	-------------	-------------	-------------	------------	------------

Table 267. MAG_OFFZ_H register description

MAG_OFFZ_[15:8]	Offset for Z-axis hard-iron compensation (MSbyte). Default value: 00000000
-----------------	--

13.1.5 MAG_SI_XX_L (C6h) and MAG_SI_XX_H (C7h)

Soft-iron (3x3 symmetric) matrix correction register (R/W)

The value is expressed as half-precision floating-point format: SEEEEEFFFFFFFFFFFF

(S: 1 sign bit; E: 5 exponent bits; F: 10 fraction bits).

Table 268. MAG_SI_XX_L register

MAG_SI_XX_7	MAG_SI_XX_6	MAG_SI_XX_5	MAG_SI_XX_4	MAG_SI_XX_3	MAG_SI_XX_2	MAG_SI_XX_1	MAG_SI_XX_0
-------------	-------------	-------------	-------------	-------------	-------------	-------------	-------------

Table 269. MAG_SI_XX_L register description

MAG_SI_XX_[7:0]	Soft-iron correction row1 col1 coefficient (LSbyte). Default value: 00000000
-----------------	--

Table 270. MAG_SI_XX_H register

MAG_SI_XX_15	MAG_SI_XX_14	MAG_SI_XX_13	MAG_SI_XX_12	MAG_SI_XX_11	MAG_SI_XX_10	MAG_SI_XX_9	MAG_SI_XX_8
--------------	--------------	--------------	--------------	--------------	--------------	-------------	-------------

Table 271. MAG_SI_XX_H register description

MAG_SI_XX_[15:8]	Soft-iron correction row1 col1 coefficient (MSbyte). Default value: 00111100
------------------	--

13.1.6 MAG_SI_XY_L (C8h) and MAG_SI_XY_H (C9h)

Soft-iron (3x3 symmetric) matrix correction register (R/W)

The value is expressed as half-precision floating-point format: SEEEEEEEEEEEEFF

(S: 1 sign bit; E: 5 exponent bits; F: 10 fraction bits).

Table 272. MAG_SI_XY_L register

MAG_SI_XY_7	MAG_SI_XY_6	MAG_SI_XY_5	MAG_SI_XY_4	MAG_SI_XY_3	MAG_SI_XY_2	MAG_SI_XY_1	MAG_SI_XY_0
-------------	-------------	-------------	-------------	-------------	-------------	-------------	-------------

Table 273. MAG_SI_XY_L register description

MAG_SI_XY_[7:0]	Soft-iron correction row1 col2 (and row2 col1) coefficient (LSbyte). Default value: 00000000
-----------------	--

Table 274. MAG_SI_XY_H register

MAG_SI_XY_15	MAG_SI_XY_14	MAG_SI_XY_13	MAG_SI_XY_12	MAG_SI_XY_11	MAG_SI_XY_10	MAG_SI_XY_9	MAG_SI_XY_8
--------------	--------------	--------------	--------------	--------------	--------------	-------------	-------------

Table 275. MAG_SI_XY_H register description

MAG_SI_XY_[15:8]	Soft-iron correction row1 col2 (and row2 col1) coefficient (MSbyte). Default value: 00000000
------------------	--

13.1.7 MAG_SI_XZ_L (CAh) and MAG_SI_XZ_H (CBh)

Soft-iron (3x3 symmetric) matrix correction register (R/W)

The value is expressed as half-precision floating-point format: SEEEEEEEEEEEEFF

(S: 1 sign bit; E: 5 exponent bits; F: 10 fraction bits).

Table 276. MAG_SI_XZ_L register

MAG_SI_XZ_7	MAG_SI_XZ_6	MAG_SI_XZ_5	MAG_SI_XZ_4	MAG_SI_XZ_3	MAG_SI_XZ_2	MAG_SI_XZ_1	MAG_SI_XZ_0
-------------	-------------	-------------	-------------	-------------	-------------	-------------	-------------

Table 277. MAG_SI_XZ_L register description

MAG_SI_XZ_[7:0]	Soft-iron correction row1 col3 (and row3 col1) coefficient (LSbyte). Default value: 00000000
-----------------	--

Table 278. MAG_SI_XZ_H register

MAG_SI_XZ_15	MAG_SI_XZ_14	MAG_SI_XZ_13	MAG_SI_XZ_12	MAG_SI_XZ_11	MAG_SI_XZ_10	MAG_SI_XZ_9	MAG_SI_XZ_8
--------------	--------------	--------------	--------------	--------------	--------------	-------------	-------------

Table 279. MAG_SI_XZ_H register description

MAG_SI_XZ_[15:8]	Soft-iron correction row1 col3 (and row3 col1) coefficient (MSbyte). Default value: 00000000
------------------	--

13.1.8 MAG_SI_YY_L (CCh) and MAG_SI_YY_H (CDh)

Soft-iron (3x3 symmetric) matrix correction register (R/W)

The value is expressed as half-precision floating-point format: SEEEEEEEEEEEEFF

(S: 1 sign bit; E: 5 exponent bits; F: 10 fraction bits).

Table 280. MAG_SI_YY_L register

MAG_SI_YY_7	MAG_SI_YY_6	MAG_SI_YY_5	MAG_SI_YY_4	MAG_SI_YY_3	MAG_SI_YY_2	MAG_SI_YY_1	MAG_SI_YY_0
-------------	-------------	-------------	-------------	-------------	-------------	-------------	-------------

Table 281. MAG_SI_YY_L register description

MAG_SI_YY_[7:0]	Soft-iron correction row2 col2 coefficient (LSbyte). Default value: 00000000
-----------------	--

Table 282. MAG_SI_YY_H register

MAG_SI_YY_15	MAG_SI_YY_14	MAG_SI_YY_13	MAG_SI_YY_12	MAG_SI_YY_11	MAG_SI_YY_10	MAG_SI_YY_9	MAG_SI_YY_8
--------------	--------------	--------------	--------------	--------------	--------------	-------------	-------------

Table 283. MAG_SI_YY_H register description

MAG_SI_YY_[15:8]	Soft-iron correction row2 col2 coefficient (MSbyte). Default value: 00111100
------------------	--

13.1.9 MAG_SI_YZ_L (CEh) and MAG_SI_YZ_H (CFh)

Soft-iron (3x3 symmetric) matrix correction register (R/W)

The value is expressed as half-precision floating-point format: SEEEEEEEEEEEEFF

(S: 1 sign bit; E: 5 exponent bits; F: 10 fraction bits).

Table 284. MAG_SI_YZ_L register

MAG_SI_YZ_7	MAG_SI_YZ_6	MAG_SI_YZ_5	MAG_SI_YZ_4	MAG_SI_YZ_3	MAG_SI_YZ_2	MAG_SI_YZ_1	MAG_SI_YZ_0
-------------	-------------	-------------	-------------	-------------	-------------	-------------	-------------

Table 285. MAG_SI_YZ_L register description

MAG_SI_YZ_[7:0]	Soft-iron correction row2 col3 (and row3 col2) coefficient (LSbyte). Default value: 00000000
-----------------	--

Table 286. MAG_SI_YZ_H register

MAG_SI_YZ_15	MAG_SI_YZ_14	MAG_SI_YZ_13	MAG_SI_YZ_12	MAG_SI_YZ_11	MAG_SI_YZ_10	MAG_SI_YZ_9	MAG_SI_YZ_8
--------------	--------------	--------------	--------------	--------------	--------------	-------------	-------------

Table 287. MAG_SI_YZ_H register description

MAG_SI_YZ_[15:8]	Soft-iron correction row2 col3 (and row3 col2) coefficient (MSbyte). Default value: 00000000
------------------	--

13.1.10 MAG_SI_ZZ_L (D0h) and MAG_SI_ZZ_H (D1h)

Soft-iron (3x3 symmetric) matrix correction register (R/W)

The value is expressed as half-precision floating-point format: SEESEEEEEEEEEEEFF (S: 1 sign bit; E: 5 exponent bits; F: 10 fraction bits).

Table 288. MAG_SI_ZZ_L register

MAG_SI_ZZ_7	MAG_SI_ZZ_6	MAG_SI_ZZ_5	MAG_SI_ZZ_4	MAG_SI_ZZ_3	MAG_SI_ZZ_2	MAG_SI_ZZ_1	MAG_SI_ZZ_0
-------------	-------------	-------------	-------------	-------------	-------------	-------------	-------------

Table 289. MAG_SI_ZZ_L register description

MAG_SI_ZZ_[7:0]	Soft-iron correction row3 col3 coefficient (LSbyte). Default value: 00000000
-----------------	--

Table 290. MAG_SI_ZZ_H register

MAG_SI_ZZ_15	MAG_SI_ZZ_14	MAG_SI_ZZ_13	MAG_SI_ZZ_12	MAG_SI_ZZ_11	MAG_SI_ZZ_10	MAG_SI_ZZ_9	MAG_SI_ZZ_8
--------------	--------------	--------------	--------------	--------------	--------------	-------------	-------------

Table 291. MAG_SI_ZZ_H register description

MAG_SI_ZZ_[15:8]	Soft-iron correction row3 col3 coefficient (MSbyte). Default value: 00111100
------------------	--

13.1.11 MAG_CFG_A (D4h)

External magnetometer coordinates (Z and Y axes) rotation register (R/W)

Table 292. MAG_CFG_A register

0 ⁽¹⁾	MAG_Y_ AXIS2	MAG_Y_ AXIS1	MAG_Y_ AXIS0	0 ⁽¹⁾	MAG_Z_ AXIS2	MAG_Z_ AXIS1	MAG_Z_ AXIS0
------------------	-----------------	-----------------	-----------------	------------------	-----------------	-----------------	-----------------

1. This bit must be set to 0 for the correct operation of the device.

Table 293. MAG_CFG_A register description

MAG_Y_AXIS[2:0]	Magnetometer Y-axis coordinates rotation (to be aligned to accelerometer/gyroscope axes orientation) (000: Y = Y; (default) 001: Y = -Y; 010: Y = X; 011: Y = -X; 100: Y = -Z; 101: Y = Z; Others: Y = Y)
MAG_Z_AXIS[2:0]	Magnetometer Z-axis coordinates rotation (to be aligned to accelerometer/gyroscope axes orientation) (000: Z = Y; 001: Z = -Y; 010: Z = X; 011: Z = -X; 100: Z = -Z; 101: Z = Z; (default) Others: Z = Y)

13.1.12 MAG_CFG_B (D5h)

External magnetometer coordinates (X-axis) rotation register (R/W)

Table 294. MAG_CFG_B register

0 ⁽¹⁾	0 ⁽¹⁾	0 ⁽¹⁾	0 ⁽¹⁾	0 ⁽¹⁾	MAG_X_ AXIS2	MAG_X_ AXIS1	MAG_X_ AXIS0
------------------	------------------	------------------	------------------	------------------	-----------------	-----------------	-----------------

1. This bit must be set to 0 for the correct operation of the device.

Table 295. MAG_CFG_B register description

MAG_X_AXIS[2:0]	Magnetometer X-axis coordinates rotation (to be aligned to accelerometer/gyroscope axes orientation) (000: X = Y; 001: X = -Y; 010: X = X; (default) 011: X = -X; 100: X = -Z; 101: X = Z; Others: X = Y)
-----------------	--

13.2 Page 1 - embedded advanced features registers

13.2.1 FSM_LC_TIMEOUT_L (7Ah) and FSM_LC_TIMEOUT_H (7Bh)

FSM long counter timeout register (R/W)

The long counter timeout value is an unsigned integer value (16-bit format). When the long counter value reaches this value, the FSM generates an interrupt.

Table 296. FSM_LC_TIMEOUT_L register

FSM_LC_TIMEOUT7	FSM_LC_TIMEOUT6	FSM_LC_TIMEOUT5	FSM_LC_TIMEOUT4	FSM_LC_TIMEOUT3	FSM_LC_TIMEOUT2	FSM_LC_TIMEOUT1	FSM_LC_TIMEOUT0
-----------------	-----------------	-----------------	-----------------	-----------------	-----------------	-----------------	-----------------

Table 297. FSM_LC_TIMEOUT_L register description

FSM_LC_TIMEOUT[7:0]	FSM long counter timeout value (LSbyte). Default value: 00000000
---------------------	--

Table 298. FSM_LC_TIMEOUT_H register

FSM_LC_TIMEOUT15	FSM_LC_TIMEOUT14	FSM_LC_TIMEOUT13	FSM_LC_TIMEOUT12	FSM_LC_TIMEOUT11	FSM_LC_TIMEOUT10	FSM_LC_TIMEOUT9	FSM_LC_TIMEOUT8
------------------	------------------	------------------	------------------	------------------	------------------	-----------------	-----------------

Table 299. FSM_LC_TIMEOUT_H register description

FSM_LC_TIMEOUT[15:8]	FSM long counter timeout value (MSbyte). Default value: 00000000
----------------------	--

13.2.2 FSM_PROGRAMS (7Ch)

FSM number of programs register (R/W)

Table 300. FSM_PROGRAMS register

FSM_N_PROG7	FSM_N_PROG6	FSM_N_PROG5	FSM_N_PROG4	FSM_N_PROG3	FSM_N_PROG2	FSM_N_PROG1	FSM_N_PROG0
-------------	-------------	-------------	-------------	-------------	-------------	-------------	-------------

Table 301. FSM_PROGRAMS register description

FSM_N_PROG[7:0]	Number of FSM programs; must be less than or equal to 16. Default value: 00000000
-----------------	---

13.2.3 FSM_START_ADD_L (7Eh) and FSM_START_ADD_H (7Fh)

FSM start address register (R/W). First available address is 0x033C.

Table 302. FSM_START_ADD_L register

FSM_START7	FSM_START6	FSM_START5	FSM_START4	FSM_START3	FSM_START2	FSM_START1	FSM_START0
------------	------------	------------	------------	------------	------------	------------	------------

Table 303. FSM_START_ADD_L register description

FSM_START[7:0]	FSM start address value (LSbyte). Default value: 00000000
----------------	---

Table 304. FSM_START_ADD_H register

FSM_START15	FSM_START14	FSM_START13	FSM_START12	FSM_START11	FSM_START10	FSM_START9	FSM_START8
-------------	-------------	-------------	-------------	-------------	-------------	------------	------------

Table 305. FSM_START_ADD_H register description

FSM_START[15:8]	FSM start address value (MSbyte). Default value: 00000000
-----------------	---

13.2.4 MLC_MAG_SENSITIVITY_L (E8h) and MLC_MAG_SENSITIVITY_H (E9h)

External magnetometer sensitivity value register for the machine learning core (R/W)

This register corresponds to the LSB-to-gauss conversion value of the external magnetometer sensor. The register value is expressed as half-precision floating-point format: SEEEEEEEEEEEEEE (S: 1 sign bit; E: 5 exponent bits; F: 10 fraction bits). Default value of MLC_MAG_S_[15:0] is 0x3C00, corresponding to 1 gauss/LSB.

Table 306. MLC_MAG_SENSITIVITY_L register

MLC_MAG_S_7	MLC_MAG_S_6	MLC_MAG_S_5	MLC_MAG_S_4	MLC_MAG_S_3	MLC_MAG_S_2	MLC_MAG_S_1	MLC_MAG_S_0
-------------	-------------	-------------	-------------	-------------	-------------	-------------	-------------

Table 307. MLC_MAG_SENSITIVITY_L register description

MLC_MAG_S_[7:0]	External magnetometer sensitivity (LSbyte). Default value: 00000000
-----------------	---

Table 308. MLC_MAG_SENSITIVITY_H register

MLC_MAG_S_15	MLC_MAG_S_14	MLC_MAG_S_13	MLC_MAG_S_12	MLC_MAG_S_11	MLC_MAG_S_10	MLC_MAG_S_9	MLC_MAG_S_8
--------------	--------------	--------------	--------------	--------------	--------------	-------------	-------------

Table 309. MLC_MAG_SENSITIVITY_H register description

MLC_MAG_S_[15:8]	External magnetometer sensitivity (MSbyte). Default value: 00111100
------------------	---

14 Sensor hub register mapping

The table given below provides a list of the registers for the sensor hub functions available in the device and the corresponding addresses. The sensor hub registers are accessible when bit SHUB_REG_ACCESS is set to 1 in FUNC_CFG_ACCESS (01h).

Table 310. Registers address map

Name	Type	Register address		Default	Comment
		Hex	Binary		
SENSOR_HUB_1	R	02	00000010	output	
SENSOR_HUB_2	R	03	00000011	output	
SENSOR_HUB_3	R	04	00000100	output	
SENSOR_HUB_4	R	05	00000101	output	
SENSOR_HUB_5	R	06	00000110	output	
SENSOR_HUB_6	R	07	00000111	output	
SENSOR_HUB_7	R	08	00001000	output	
SENSOR_HUB_8	R	09	00001001	output	
SENSOR_HUB_9	R	0A	00001010	output	
SENSOR_HUB_10	R	0B	00001011	output	
SENSOR_HUB_11	R	0C	00001100	output	
SENSOR_HUB_12	R	0D	00001101	output	
SENSOR_HUB_13	R	0E	00001110	output	
SENSOR_HUB_14	R	0F	00001111	output	
SENSOR_HUB_15	R	10	00010000	output	
SENSOR_HUB_16	R	11	00010001	output	
SENSOR_HUB_17	R	12	00010010	output	
SENSOR_HUB_18	R	13	00010011	output	
MASTER_CONFIG	R/W	14	00010100	00000000	
SLV0_ADD	R/W	15	00010101	00000000	
SLV0_SUBADD	R/W	16	00010110	00000000	
SLV0_CONFIG	R/W	17	00010111	00000000	
SLV1_ADD	R/W	18	00011000	00000000	
SLV1_SUBADD	R/W	19	00011001	00000000	
SLV1_CONFIG	R/W	1A	00011010	00000000	
SLV2_ADD	R/W	1B	00011011	00000000	
SLV2_SUBADD	R/W	1C	00011100	00000000	
SLV2_CONFIG	R/W	1D	00011101	00000000	
SLV3_ADD	R/W	1E	00011110	00000000	
SLV3_SUBADD	R/W	1F	00011111	00000000	
SLV3_CONFIG	R/W	20	00100000	00000000	
DATAWRITE_SLV0	R/W	21	00100001	00000000	
STATUS_MASTER	R	22	00100010	output	

Reserved registers must not be changed. Writing to those registers may cause permanent damage to the device. The content of the registers that are loaded at boot should not be changed. They contain the factory calibration values. Their content is automatically restored when the device is powered up.

15 Sensor hub register description

15.1 SENSOR_HUB_1 (02h)

Sensor hub output register (R)

First byte associated to external sensors. The content of the register is consistent with the SLVx_CONFIG number of read operation configurations (for external sensors from x = 0 to x = 3).

Table 311. SENSOR_HUB_1 register

Sensor Hub1_7	Sensor Hub1_6	Sensor Hub1_5	Sensor Hub1_4	Sensor Hub1_3	Sensor Hub1_2	Sensor Hub1_1	Sensor Hub1_0
---------------	---------------	---------------	---------------	---------------	---------------	---------------	---------------

Table 312. SENSOR_HUB_1 register description

SensorHub1_[7:0]	First byte associated to external sensors
------------------	---

15.2 SENSOR_HUB_2 (03h)

Sensor hub output register (R)

Second byte associated to external sensors. The content of the register is consistent with the SLVx_CONFIG number of read operation configurations (for external sensors from x = 0 to x = 3).

Table 313. SENSOR_HUB_2 register

Sensor Hub2_7	Sensor Hub2_6	Sensor Hub2_5	Sensor Hub2_4	Sensor Hub2_3	Sensor Hub2_2	Sensor Hub2_1	Sensor Hub2_0
---------------	---------------	---------------	---------------	---------------	---------------	---------------	---------------

Table 314. SENSOR_HUB_2 register description

SensorHub2_[7:0]	Second byte associated to external sensors
------------------	--

15.3 SENSOR_HUB_3 (04h)

Sensor hub output register (R)

Third byte associated to external sensors. The content of the register is consistent with the SLVx_CONFIG number of read operation configurations (for external sensors from x = 0 to x = 3).

Table 315. SENSOR_HUB_3 register

Sensor Hub3_7	Sensor Hub3_6	Sensor Hub3_5	Sensor Hub3_4	Sensor Hub3_3	Sensor Hub3_2	Sensor Hub3_1	Sensor Hub3_0
---------------	---------------	---------------	---------------	---------------	---------------	---------------	---------------

Table 316. SENSOR_HUB_3 register description

SensorHub3_[7:0]	Third byte associated to external sensors
------------------	---

15.4 SENSOR_HUB_4 (05h)

Sensor hub output register (R)

Fourth byte associated to external sensors. The content of the register is consistent with the SLVx_CONFIG number of read operation configurations (for external sensors from x = 0 to x = 3).

Table 317. SENSOR_HUB_4 register

Sensor Hub4_7	Sensor Hub4_6	Sensor Hub4_5	Sensor Hub4_4	Sensor Hub4_3	Sensor Hub4_2	Sensor Hub4_1	Sensor Hub4_0
---------------	---------------	---------------	---------------	---------------	---------------	---------------	---------------

Table 318. SENSOR_HUB_4 register description

SensorHub4_[7:0]	Fourth byte associated to external sensors
------------------	--

15.5 SENSOR_HUB_5 (06h)

Sensor hub output register (R)

Fifth byte associated to external sensors. The content of the register is consistent with the SLVx_CONFIG number of read operation configurations (for external sensors from x = 0 to x = 3).

Table 319. SENSOR_HUB_5 register

Sensor Hub5_7	Sensor Hub5_6	Sensor Hub5_5	Sensor Hub5_4	Sensor Hub5_3	Sensor Hub5_2	Sensor Hub5_1	Sensor Hub5_0
---------------	---------------	---------------	---------------	---------------	---------------	---------------	---------------

Table 320. SENSOR_HUB_5 register description

SensorHub5_[7:0]	Fifth byte associated to external sensors
------------------	---

15.6 SENSOR_HUB_6 (07h)

Sensor hub output register (R)

Sixth byte associated to external sensors. The content of the register is consistent with the SLVx_CONFIG number of read operation configurations (for external sensors from x = 0 to x = 3).

Table 321. SENSOR_HUB_6 register

Sensor Hub6_7	Sensor Hub6_6	Sensor Hub6_5	Sensor Hub6_4	Sensor Hub6_3	Sensor Hub6_2	Sensor Hub6_1	Sensor Hub6_0
---------------	---------------	---------------	---------------	---------------	---------------	---------------	---------------

Table 322. SENSOR_HUB_6 register description

SensorHub6_[7:0]	Sixth byte associated to external sensors
------------------	---

15.7 SENSOR_HUB_7 (08h)

Sensor hub output register (R)

Seventh byte associated to external sensors. The content of the register is consistent with the SLVx_CONFIG number of read operation configurations (for external sensors from x = 0 to x = 3).

Table 323. SENSOR_HUB_7 register

Sensor Hub7_7	Sensor Hub7_6	Sensor Hub7_5	Sensor Hub7_4	Sensor Hub7_3	Sensor Hub7_2	Sensor Hub7_1	Sensor Hub7_0
---------------	---------------	---------------	---------------	---------------	---------------	---------------	---------------

Table 324. SENSOR_HUB_7 register description

SensorHub7_[7:0]	Seventh byte associated to external sensors
------------------	---

15.8 SENSOR_HUB_8 (09h)

Sensor hub output register (R)

Eighth byte associated to external sensors. The content of the register is consistent with the SLVx_CONFIG number of read operation configurations (for external sensors from x = 0 to x = 3).

Table 325. SENSOR_HUB_8 register

Sensor Hub8_7	Sensor Hub8_6	Sensor Hub8_5	Sensor Hub8_4	Sensor Hub8_3	Sensor Hub8_2	Sensor Hub8_1	Sensor Hub8_0
---------------	---------------	---------------	---------------	---------------	---------------	---------------	---------------

Table 326. SENSOR_HUB_8 register description

SensorHub8_[7:0]	Eighth byte associated to external sensors
------------------	--

15.9 SENSOR_HUB_9 (0Ah)

Sensor hub output register (R)

Ninth byte associated to external sensors. The content of the register is consistent with the SLVx_CONFIG number of read operation configurations (for external sensors from x = 0 to x = 3).

Table 327. SENSOR_HUB_9 register

Sensor Hub9_7	Sensor Hub9_6	Sensor Hub9_5	Sensor Hub9_4	Sensor Hub9_3	Sensor Hub9_2	Sensor Hub9_1	Sensor Hub9_0
---------------	---------------	---------------	---------------	---------------	---------------	---------------	---------------

Table 328. SENSOR_HUB_9 register description

SensorHub9_[7:0]	Ninth byte associated to external sensors
------------------	---

15.10 SENSOR_HUB_10 (0Bh)

Sensor hub output register (R)

Tenth byte associated to external sensors. The content of the register is consistent with the SLVx_CONFIG number of read operation configurations (for external sensors from x = 0 to x = 3).

Table 329. SENSOR_HUB_10 register

Sensor Hub10_7	Sensor Hub10_6	Sensor Hub10_5	Sensor Hub10_4	Sensor Hub10_3	Sensor Hub10_2	Sensor Hub10_1	Sensor Hub10_0
----------------	----------------	----------------	----------------	----------------	----------------	----------------	----------------

Table 330. SENSOR_HUB_10 register description

SensorHub10_[7:0]	Tenth byte associated to external sensors
-------------------	---

15.11 SENSOR_HUB_11 (0Ch)

Sensor hub output register (R)

Eleventh byte associated to external sensors. The content of the register is consistent with the SLVx_CONFIG number of read operation configurations (for external sensors from x = 0 to x = 3).

Table 331. SENSOR_HUB_11 register

Sensor Hub11_7	Sensor Hub11_6	Sensor Hub11_5	Sensor Hub11_4	Sensor Hub11_3	Sensor Hub11_2	Sensor Hub11_1	Sensor Hub11_0
----------------	----------------	----------------	----------------	----------------	----------------	----------------	----------------

Table 332. SENSOR_HUB_11 register description

SensorHub11_[7:0]	Eleventh byte associated to external sensors
-------------------	--

15.12 SENSOR_HUB_12 (0Dh)

Sensor hub output register (R)

Twelfth byte associated to external sensors. The content of the register is consistent with the SLVx_CONFIG number of read operation configurations (for external sensors from x = 0 to x = 3).

Table 333. SENSOR_HUB_12 register

Sensor Hub12_7	Sensor Hub12_6	Sensor Hub12_5	Sensor Hub12_4	Sensor Hub12_3	Sensor Hub12_2	Sensor Hub12_1	Sensor Hub12_0
----------------	----------------	----------------	----------------	----------------	----------------	----------------	----------------

Table 334. SENSOR_HUB_12 register description

SensorHub12_[7:0]	Twelfth byte associated to external sensors
-------------------	---

15.13 SENSOR_HUB_13 (0Eh)

Sensor hub output register (R)

Thirteenth byte associated to external sensors. The content of the register is consistent with the SLVx_CONFIG number of read operation configurations (for external sensors from x = 0 to x = 3).

Table 335. SENSOR_HUB_13 register

Sensor Hub13_7	Sensor Hub13_6	Sensor Hub13_5	Sensor Hub13_4	Sensor Hub13_3	Sensor Hub13_2	Sensor Hub13_1	Sensor Hub13_0
----------------	----------------	----------------	----------------	----------------	----------------	----------------	----------------

Table 336. SENSOR_HUB_13 register description

SensorHub13_[7:0]	Thirteenth byte associated to external sensors
-------------------	--

15.14 SENSOR_HUB_14 (0Fh)

Sensor hub output register (R)

Fourteenth byte associated to external sensors. The content of the register is consistent with the SLVx_CONFIG number of read operation configurations (for external sensors from x = 0 to x = 3).

Table 337. SENSOR_HUB_14 register

Sensor Hub14_7	Sensor Hub14_6	Sensor Hub14_5	Sensor Hub14_4	Sensor Hub14_3	Sensor Hub14_2	Sensor Hub14_1	Sensor Hub14_0
----------------	----------------	----------------	----------------	----------------	----------------	----------------	----------------

Table 338. SENSOR_HUB_14 register description

SensorHub14_[7:0]	Fourteenth byte associated to external sensors
-------------------	--

15.15 SENSOR_HUB_15 (10h)

Sensor hub output register (R)

Fifteenth byte associated to external sensors. The content of the register is consistent with the SLVx_CONFIG number of read operation configurations (for external sensors from x = 0 to x = 3).

Table 339. SENSOR_HUB_15 register

Sensor Hub15_7	Sensor Hub15_6	Sensor Hub15_5	Sensor Hub15_4	Sensor Hub15_3	Sensor Hub15_2	Sensor Hub15_1	Sensor Hub15_0
----------------	----------------	----------------	----------------	----------------	----------------	----------------	----------------

Table 340. SENSOR_HUB_15 register description

SensorHub15_[7:0]	Fifteenth byte associated to external sensors
-------------------	---

15.16 SENSOR_HUB_16 (11h)

Sensor hub output register (R)

Sixteenth byte associated to external sensors. The content of the register is consistent with the SLVx_CONFIG number of read operation configurations (for external sensors from x = 0 to x = 3).

Table 341. SENSOR_HUB_16 register

Sensor Hub16_7	Sensor Hub16_6	Sensor Hub16_5	Sensor Hub16_4	Sensor Hub16_3	Sensor Hub16_2	Sensor Hub16_1	Sensor Hub16_0
----------------	----------------	----------------	----------------	----------------	----------------	----------------	----------------

Table 342. SENSOR_HUB_16 register description

SensorHub16_[7:0]	Sixteenth byte associated to external sensors
-------------------	---

15.17 SENSOR_HUB_17 (12h)

Sensor hub output register (R)

Seventeenth byte associated to external sensors. The content of the register is consistent with the SLVx_CONFIG number of read operation configurations (for external sensors from x = 0 to x = 3).

Table 343. SENSOR_HUB_17 register

Sensor Hub17_7	Sensor Hub17_6	Sensor Hub17_5	Sensor Hub17_4	Sensor Hub17_3	Sensor Hub17_2	Sensor Hub17_1	Sensor Hub17_0
----------------	----------------	----------------	----------------	----------------	----------------	----------------	----------------

Table 344. SENSOR_HUB_17 register description

SensorHub17_[7:0]	Seventeenth byte associated to external sensors
-------------------	---

15.18 SENSOR_HUB_18 (13h)

Sensor hub output register (R)

Eighteenth byte associated to external sensors. The content of the register is consistent with the SLVx_CONFIG number of read operation configurations (for external sensors from x = 0 to x = 3).

Table 345. SENSOR_HUB_18 register

Sensor Hub18_7	Sensor Hub18_6	Sensor Hub18_5	Sensor Hub18_4	Sensor Hub18_3	Sensor Hub18_2	Sensor Hub18_1	Sensor Hub18_0
----------------	----------------	----------------	----------------	----------------	----------------	----------------	----------------

Table 346. SENSOR_HUB_18 register description

SensorHub18_[7:0]	Eighteenth byte associated to external sensors
-------------------	--

15.19 MASTER_CONFIG (14h)

Master configuration register (R/W)

Table 347. MASTER_CONFIG register

RST_MASTER_REGS	WRITE_ONCE	START_CONFIG	PASS_THROUGH_MODE	SHUB_PU_EN	MASTER_ON	AUX_SENS_ON1	AUX_SENS_ON0
-----------------	------------	--------------	-------------------	------------	-----------	--------------	--------------

Table 348. MASTER_CONFIG register description

RST_MASTER_REGS	Reset master logic and output registers. Must be set to 1 and then set it to 0. Default value: 0
WRITE_ONCE	Slave 0 write operation is performed only at the first sensor hub cycle. Default value: 0 (0: write operation for each sensor hub cycle; 1: write operation only for the first sensor hub cycle)
START_CONFIG	Sensor hub trigger signal selection. Default value: 0 (0: sensor hub trigger signal is the accelerometer/gyro data-ready; 1: sensor hub trigger signal external from INT2 pin)
PASS_THROUGH_MODE	I ² C interface pass-through. Default value: 0 (0: pass-through disabled; 1: pass-through enabled, main I ² C line is short-circuited with the auxiliary line)
SHUB_PU_EN	Enables master I ² C pull-up. Default value: 0 (0: internal pull-up on auxiliary I ² C line disabled; 1: internal pull-up on auxiliary I ² C line enabled)
MASTER_ON	Enables sensor hub I ² C master. Default: 0 (0: master I ² C of sensor hub disabled; 1: master I ² C of sensor hub enabled)
AUX_SENS_ON[1:0]	Number of external sensors to be read by the sensor hub. (00: one sensor (default); 01: two sensors; 10: three sensors; 11: four sensors)

15.20 SLV0_ADD (15h)

I²C slave address of the first external sensor (sensor 1) register (R/W)

Table 349. SLV0_ADD register

slave0_add6	slave0_add5	slave0_add4	slave0_add3	slave0_add2	slave0_add1	slave0_add0	rw_0
-------------	-------------	-------------	-------------	-------------	-------------	-------------	------

Table 350. SLV0_ADD register description

slave0_add[6:0]	I ² C slave address of sensor 1 that can be read by the sensor hub. Default value: 0000000
rw_0	Read/write operation on Sensor 1. Default value: 0 (0: write operation; 1: read operation)

15.21 SLV0_SUBADD (16h)

Address of register on the first external sensor (sensor 1) register (R/W)

Table 351. SLV0_SUBADD register

slave0_reg7	slave0_reg6	slave0_reg5	slave0_reg4	slave0_reg3	slave0_reg2	slave0_reg1	slave0_reg0
-------------	-------------	-------------	-------------	-------------	-------------	-------------	-------------

Table 352. SLV0_SUBADD register description

slave0_reg[7:0]	Address of register on sensor 1 that has to be read/written according to the rw_0 bit value in SLV0_ADD (15h) . Default value: 00000000
-----------------	---

15.22 SLV0_CONFIG (17h)

First external sensor (sensor 1) configuration and sensor hub settings register (R/W)

Table 353. SLV0_CONFIG register

SHUB_ODR_1	SHUB_ODR_0	0 ⁽¹⁾	0 ⁽¹⁾	BATCH_EXT_SENS_0_EN	Slave0_numop2	Slave0_numop1	Slave0_numop0
------------	------------	------------------	------------------	---------------------	---------------	---------------	---------------

1. This bit must be set to 0 for the correct operation of the device.

Table 354. SLV0_CONFIG register description

SHUB_ODR_[1:0]	Rate at which the master communicates. Default value: 00 (00: 104 Hz (or at the maximum ODR between the accelerometer and gyroscope if it is less than 104 Hz); 01: 52 Hz (or at the maximum ODR between the accelerometer and gyroscope if it is less than 52 Hz); 10: 26 Hz (or at the maximum ODR between the accelerometer and gyroscope if it is less than 26 Hz); 11: 12.5 Hz (or at the maximum ODR between the accelerometer and gyroscope if it is less than 12.5 Hz)
BATCH_EXT_SENS_0_EN	Enables FIFO data batching of first slave. Default value: 0
Slave0_numop[2:0]	Number of read operations on sensor 1. Default value: 000

15.23 SLV1_ADD (18h)

I²C slave address of the second external sensor (sensor 2) register (R/W)

Table 355. SLV1_ADD register

Slave1_add6	Slave1_add5	Slave1_add4	Slave1_add3	Slave1_add2	Slave1_add1	Slave1_add0	r_1
-------------	-------------	-------------	-------------	-------------	-------------	-------------	-----

Table 356. SLV1_ADD register description

Slave1_add[6:0]	I ² C slave address of sensor 2 that can be read by the sensor hub. Default value: 0000000
r_1	Enables read operation on sensor 2. Default value: 0 (0: read operation disabled; 1: read operation enabled)

15.24 SLV1_SUBADD (19h)

Address of register on the second external sensor (sensor 2) register (R/W)

Table 357. SLV1_SUBADD register

Slave1_reg7	Slave1_reg6	Slave1_reg5	Slave1_reg4	Slave1_reg3	Slave1_reg2	Slave1_reg1	Slave1_reg0
-------------	-------------	-------------	-------------	-------------	-------------	-------------	-------------

Table 358. SLV1_SUBADD register description

Slave1_reg[7:0]	Address of register on sensor 2 that has to be read/written according to the r_1 bit value in SLV1_ADD (18h).
-----------------	---

15.25 SLV1_CONFIG (1Ah)

Second external sensor (sensor 2) configuration register (R/W)

Table 359. SLV1_CONFIG register

0 ⁽¹⁾	0 ⁽¹⁾	0 ⁽¹⁾	0 ⁽¹⁾	BATCH_EXT_SENS_1_EN	Slave1_numop2	Slave1_numop1	Slave1_numop0
------------------	------------------	------------------	------------------	---------------------	---------------	---------------	---------------

1. This bit must be set to 0 for the correct operation of the device.

Table 360. SLV1_CONFIG register description

BATCH_EXT_SENS_1_EN	Enables FIFO data batching of second slave. Default value: 0
Slave1_numop[2:0]	Number of read operations on sensor 2. Default value: 000

15.26 SLV2_ADD (1Bh)

I²C slave address of the third external sensor (sensor 3) register (R/W)

Table 361. SLV2_ADD register

Slave2_add6	Slave2_add5	Slave2_add4	Slave2_add3	Slave2_add2	Slave2_add1	Slave2_add0	r_2
-------------	-------------	-------------	-------------	-------------	-------------	-------------	-----

Table 362. SLV2_ADD register description

Slave2_add[6:0]	I ² C slave address of sensor 3 that can be read by the sensor hub.
r_2	Enables read operation on sensor 3. Default value: 0 (0: read operation disabled; 1: read operation enabled)

15.27 SLV2_SUBADD (1Ch)

Address of register on the third external sensor (sensor 3) register (R/W)

Table 363. SLV2_SUBADD register

Slave2_reg7	Slave2_reg6	Slave2_reg5	Slave2_reg4	Slave2_reg3	Slave2_reg2	Slave2_reg1	Slave2_reg0
-------------	-------------	-------------	-------------	-------------	-------------	-------------	-------------

Table 364. SLV2_SUBADD register description

Slave2_reg[7:0]	Address of register on sensor 3 that has to be read/written according to the r_2 bit value in SLV2_ADD (1Bh).
-----------------	---

15.28 SLV2_CONFIG (1Dh)

Third external sensor (sensor 3) configuration register (R/W)

Table 365. SLV2_CONFIG register

0 ⁽¹⁾	0 ⁽¹⁾	0 ⁽¹⁾	0 ⁽¹⁾	BATCH_EXT_SENS_2_EN	Slave2_numop2	Slave2_numop1	Slave2_numop0
------------------	------------------	------------------	------------------	---------------------	---------------	---------------	---------------

1. This bit must be set to 0 for the correct operation of the device.

Table 366. SLV2_CONFIG register description

BATCH_EXT_SENS_2_EN	Enables FIFO data batching of third slave. Default value: 0
Slave2_numop[2:0]	Number of read operations on sensor 3. Default value: 000

15.29 SLV3_ADD (1Eh)

I²C slave address of the fourth external sensor (sensor 4) register (R/W)

Table 367. SLV3_ADD register

Slave3_add6	Slave3_add5	Slave3_add4	Slave3_add3	Slave3_add2	Slave3_add1	Slave3_add0	r_3
-------------	-------------	-------------	-------------	-------------	-------------	-------------	-----

Table 368. SLV3_ADD register description

Slave3_add[6:0]	I ² C slave address of sensor 4 that can be read by the sensor hub.
r_3	Enables read operation on sensor 4. Default value: 0 (0: read operation disabled; 1: read operation enabled)

15.30 SLV3_SUBADD (1Fh)

Address of register on the fourth external sensor (sensor 4) register (R/W)

Table 369. SLV3_SUBADD register

Slave3_reg7	Slave3_reg6	Slave3_reg5	Slave3_reg4	Slave3_reg3	Slave3_reg2	Slave3_reg1	Slave3_reg0
-------------	-------------	-------------	-------------	-------------	-------------	-------------	-------------

Table 370. SLV3_SUBADD register description

Slave3_reg[7:0]	Address of register on sensor 4 that has to be read according to the r_3 bit value in SLV3_ADD (1Eh).
-----------------	---

15.31 SLV3_CONFIG (20h)

Fourth external sensor (sensor 4) configuration register (R/W)

Table 371. SLV3_CONFIG register

0 ⁽¹⁾	0 ⁽¹⁾	0 ⁽¹⁾	0 ⁽¹⁾	BATCH_EXT_SENS_3_EN	Slave3_numop2	Slave3_numop1	Slave3_numop0
------------------	------------------	------------------	------------------	---------------------	---------------	---------------	---------------

1. This bit must be set to 0 for the correct operation of the device.

Table 372. SLV3_CONFIG register description

BATCH_EXT_SENS_3_EN	Enables FIFO data batching of fourth slave. Default value: 0
Slave3_numop[2:0]	Number of read operations on sensor 4. Default value: 000

15.32 DATAWRITE_SLV0 (21h)

Data to be written into the slave device register (R/W)

Table 373. DATAWRITE_SLV0 register

Slave0_dataw7	Slave0_dataw6	Slave0_dataw5	Slave0_dataw4	Slave0_dataw3	Slave0_dataw2	Slave0_dataw1	Slave0_dataw0
---------------	---------------	---------------	---------------	---------------	---------------	---------------	---------------

Table 374. DATAWRITE_SLV0 register description

Slave0_dataw[7:0]	Data to be written into the slave 0 device according to the rw_0 bit in register SLV0_ADD (15h) . Default value: 00000000
-------------------	--

15.33 STATUS_MASTER (22h)

Sensor hub source register (R)

Table 375. STATUS_MASTER register

WR_ONCE_DONE	SLAVE3_NACK	SLAVE2_NACK	SLAVE1_NACK	SLAVE0_NACK	0	0	SENS_HUB_ENDOP
--------------	-------------	-------------	-------------	-------------	---	---	----------------

Table 376. STATUS_MASTER register description

WR_ONCE_DONE	When the bit WRITE_ONCE in MASTER_CONFIG (14h) is configured as 1, this bit is set to 1 when the write operation on slave 0 has been performed and completed. Default value: 0
SLAVE3_NACK	This bit is set to 1 if Not acknowledge occurs on slave 3 communication. Default value: 0
SLAVE2_NACK	This bit is set to 1 if Not acknowledge occurs on slave 2 communication. Default value: 0
SLAVE1_NACK	This bit is set to 1 if Not acknowledge occurs on slave 1 communication. Default value: 0
SLAVE0_NACK	This bit is set to 1 if Not acknowledge occurs on slave 0 communication. Default value: 0
SENS_HUB_ENDOP	Sensor hub communication status. Default value: 0 (0: sensor hub communication not concluded; 1: sensor hub communication concluded)

16 Soldering information

The LGA package is compliant with the [ECOPACK](#) and RoHS standard.

It is qualified for soldering heat resistance according to JEDEC J-STD-020.

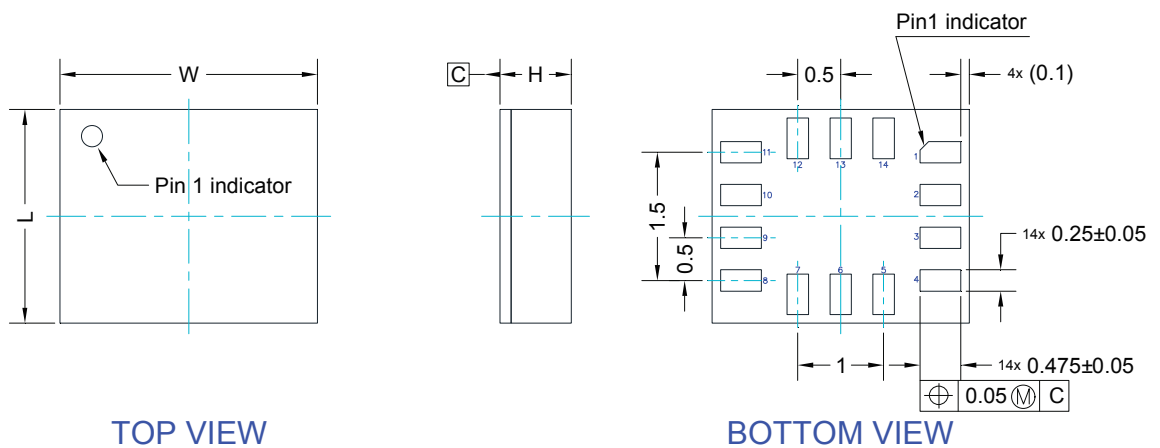
For land pattern and soldering recommendations, consult technical note [TN0018](#) available on www.st.com.

17 Package information

In order to meet environmental requirements, ST offers these devices in different grades of **ECOPACK** packages, depending on their level of environmental compliance. ECOPACK specifications, grade definitions and product status are available at: www.st.com. ECOPACK is an ST trademark.

17.1 LGA-14L package information

Figure 23. LGA-14L 2.5 x 3.0 x 0.86 mm package outline and mechanical data



Dimensions are in millimeter unless otherwise specified
 General tolerance is ± 0.1 mm unless otherwise specified

OUTER DIMENSIONS

ITEM	DIMENSION [mm]	TOLERANCE [mm]
Length [L]	2.50	± 0.1
Width [W]	3.00	± 0.1
Height [H]	0.86	MAX

DM00249496_5

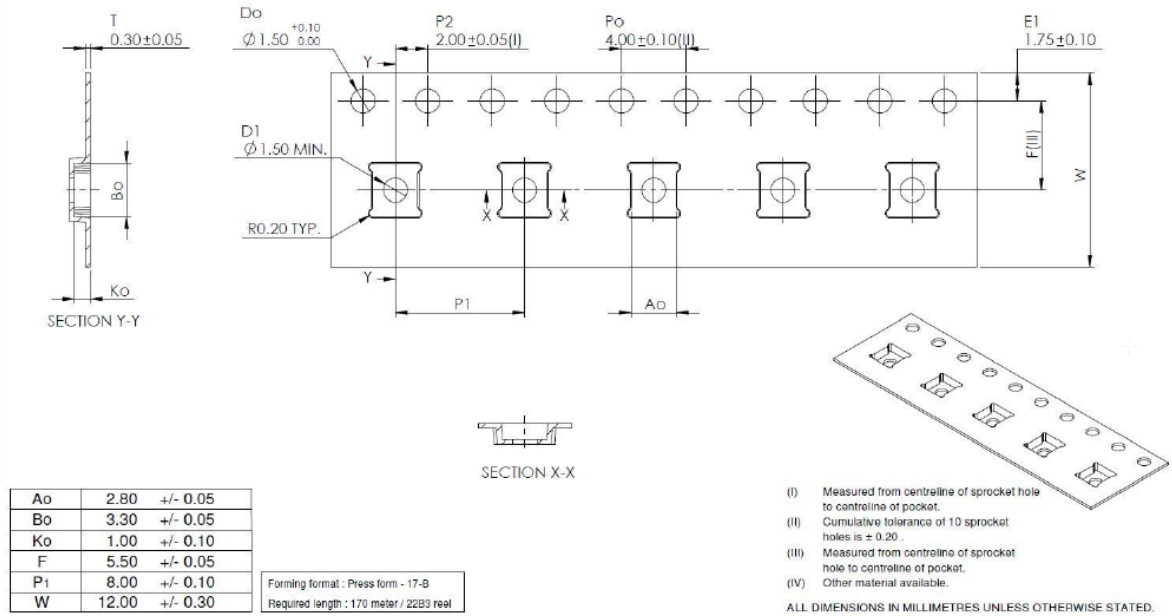
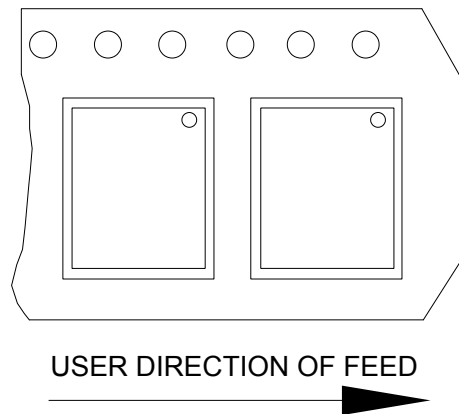
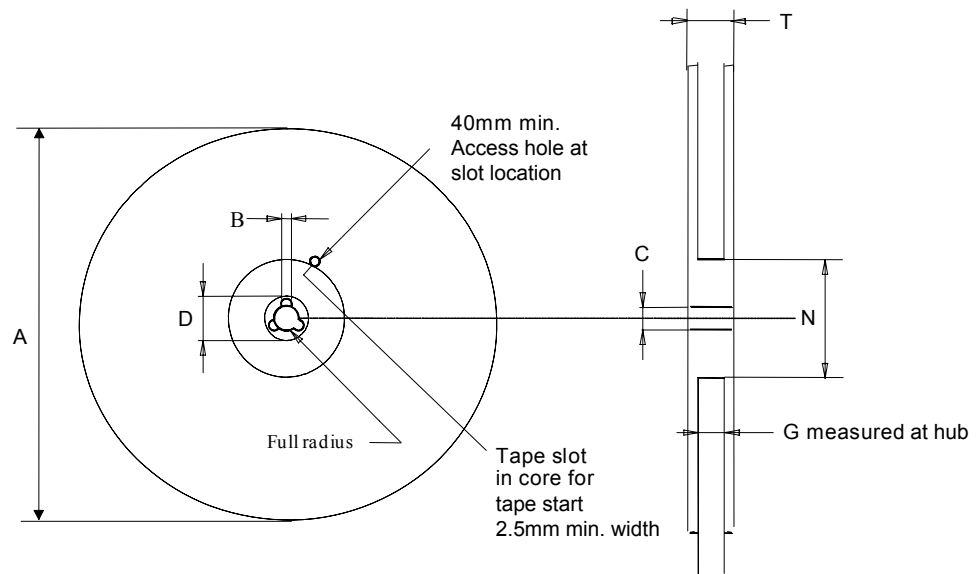
17.2 LGA-14 packing information
Figure 24. Carrier tape information for LGA-14 package

Figure 25. LGA-14 package orientation in carrier tape


Figure 26. Reel information for carrier tape of LGA-14 package

Table 377. Reel dimensions for carrier tape of LGA-14 package

Reel dimensions (mm)	
A (max)	330
B (min)	1.5
C	13 ±0.25
D (min)	20.2
N (min)	60
G	12.4 +2/-0
T (max)	18.4

Revision history

Table 378. Document revision history

Date	Version	Changes
04-Feb-2022	1	Initial release
18-Feb-2022	2	Updated Table 19. Internal pin status Updated bit 1 of PAGE_SEL (02h)
17-Mar-2022	3	Updated accelerometer and gyroscope output data rates to include 3333 Hz and 6667 Hz Specified "in high-performance mode" for accelerometer current consumption (A_IddHP) in Table 3. Electrical characteristics Updated procedure in Section 6.1 Operating modes
13-Apr-2022	4	Updated description of pin 6
10-May-2022	5	Updated value of Vin in Table 8. Absolute maximum ratings
01-Jul-2022	6	Added 15-year longevity commitment to the product labels on page 1 Updated description of USR_OFF_ON_WU bit in WAKE_UP_THS (5Bh)
23-Feb-2023	7	Updated description of pin 1 in Table 1. Pin description Updated Table 3. Electrical characteristics Minor textual updates
31-May-2023	8	Updated title, Features, Description, and Product resources Updated Figure 3. Machine learning core in the ASM330LHHX Updated test conditions in Table 3. Electrical characteristics
29-Nov-2023	9	Updated Features

Contents

1	Overview	3
2	Embedded low-power features	4
2.1	Finite state machine	4
2.2	Machine learning core	6
3	Pin description	7
3.1	Pin connections	8
4	Module specifications	10
4.1	Mechanical characteristics	10
4.2	Electrical characteristics	13
4.3	Temperature sensor characteristics	14
4.4	Communication interface characteristics	15
4.4.1	SPI - serial peripheral interface	15
4.4.2	I ² C - inter-IC control interface	16
4.5	Absolute maximum ratings	18
4.6	Terminology	19
4.6.1	Sensitivity	19
4.6.2	Zero-g and zero-rate level	19
5	Digital interfaces	20
5.1	I ² C/SPI interface	20
5.1.1	I ² C serial interface	20
5.1.2	SPI bus interface	22
5.2	MIPI I3C SM interface	26
5.2.1	MIPI I3C SM slave interface	26
5.2.2	MIPI I3C SM CCC supported commands	27
5.3	I ² C/I3C coexistence in ASM330LHHX	28
5.4	Master I ² C interface	29
6	Functionality	30
6.1	Operating modes	30
6.2	Gyroscope power modes	30
6.3	Accelerometer power modes	30
6.4	Block diagram of filters	31
6.4.1	Block diagram of the gyroscope filter	32
6.4.2	Block diagrams of the accelerometer filters	33
6.5	FIFO	34
6.5.1	Bypass mode	34

6.5.2	FIFO mode	35
6.5.3	Continuous mode	35
6.5.4	Continuous-to-FIFO mode.....	35
6.5.5	Bypass-to-continuous mode	35
6.5.6	Bypass-to-FIFO mode.....	35
6.5.7	FIFO reading procedure	36
7	Application hints	37
7.1	ASM330LHHX electrical connections in mode 1.....	37
7.2	ASM330LHHX electrical connections in mode 2.....	38
8	Register map	41
9	Register description	44
9.1	FUNC_CFG_ACCESS (01h).....	44
9.2	PIN_CTRL (02h)	44
9.3	FIFO_CTRL1 (07h).....	45
9.4	FIFO_CTRL2 (08h).....	45
9.5	FIFO_CTRL3 (09h).....	46
9.6	FIFO_CTRL4 (0Ah).....	47
9.7	COUNTER_BDR_REG1 (0Bh)	48
9.8	COUNTER_BDR_REG2 (0Ch).....	48
9.9	INT1_CTRL (0Dh).....	49
9.10	INT2_CTRL (0Eh).....	50
9.11	WHO_AM_I (0Fh).....	51
9.12	CTRL1_XL (10h).....	51
9.13	CTRL2_G (11h).....	52
9.14	CTRL3_C (12h).....	53
9.15	CTRL4_C (13h).....	54
9.16	CTRL5_C (14h).....	55
9.17	CTRL6_C (15h).....	56
9.18	CTRL7_G (16h).....	57
9.19	CTRL8_XL (17h).....	57
9.20	CTRL9_XL (18h).....	59
9.21	CTRL10_C (19h).....	59
9.22	ALL_INT_SRC (1Ah)	60
9.23	WAKE_UP_SRC (1Bh).....	60
9.24	DRD_SRC (1Dh).....	61
9.25	STATUS_REG (1Eh).....	62

9.26	OUT_TEMP_L (20h), OUT_TEMP_H (21h)	62
9.27	OUTX_H_G (23h), OUTX_L_G (22h)	63
9.28	OUTY_H_G (25h), OUTY_L_G (24h)	63
9.29	OUTZ_H_G (27h), OUTZ_L_G (26h)	63
9.30	OUTX_H_A (29h), OUTX_L_A (28h)	64
9.31	OUTY_H_A (2Bh), OUTY_L_A (2Ah)	64
9.32	OUTZ_H_A (2Dh), OUTZ_L_A (2Ch)	64
9.33	EMB_FUNC_STATUS_MAINPAGE (35h)	65
9.34	FSM_STATUS_A_MAINPAGE (36h)	65
9.35	FSM_STATUS_B_MAINPAGE (37h)	66
9.36	MLC_STATUS_MAINPAGE (38h)	66
9.37	STATUS_MASTER_MAINPAGE (39h)	67
9.38	FIFO_STATUS1 (3Ah)	67
9.39	FIFO_STATUS2 (3Bh)	68
9.40	TIMESTAMP0 (40h), TIMESTAMP1 (41h), TIMESTAMP2 (42h), and TIMESTAMP3 (43h)	69
9.41	INT_CFG0 (56h)	70
9.42	INT_CFG1 (58h)	70
9.43	THS_6D (59h)	71
9.44	WAKE_UP_THS (5Bh)	71
9.45	WAKE_UP_DUR (5Ch)	72
9.46	FREE_FALL (5Dh)	72
9.47	MD1_CFG (5Eh)	73
9.48	MD2_CFG (5Fh)	74
9.49	I3C_BUS_AVB (62h)	75
9.50	INTERNAL_FREQ_FINE (63h)	76
9.51	X_OFS_USR (73h)	77
9.52	Y_OFS_USR (74h)	77
9.53	Z_OFS_USR (75h)	77
9.54	FIFO_DATA_OUT_TAG (78h)	78
9.55	FIFO_DATA_OUT_X_H (7Ah) and FIFO_DATA_OUT_X_L (79h)	79
9.56	FIFO_DATA_OUT_Y_H (7Ch) and FIFO_DATA_OUT_Y_L (7Bh)	79
9.57	FIFO_DATA_OUT_Z_H (7Eh) and FIFO_DATA_OUT_Z_L (7Dh)	79
10	Embedded functions register mapping	80
11	Embedded functions register description	82
11.1	PAGE_SEL (02h)	82
11.2	EMB_FUNC_EN_B (05h)	82

11.3	PAGE_ADDRESS (08h)	82
11.4	PAGE_VALUE (09h)	83
11.5	EMB_FUNC_INT1 (0Ah)	83
11.6	FSM_INT1_A (0Bh)	84
11.7	FSM_INT1_B (0Ch)	85
11.8	MLC_INT1 (0Dh)	86
11.9	EMB_FUNC_INT2 (0Eh)	87
11.10	FSM_INT2_A (0Fh)	87
11.11	FSM_INT2_B (10h)	88
11.12	MLC_INT2 (11h)	89
11.13	EMB_FUNC_STATUS (12h)	89
11.14	FSM_STATUS_A (13h)	90
11.15	FSM_STATUS_B (14h)	91
11.16	MLC_STATUS (15h)	92
11.17	PAGE_RW (17h)	93
11.18	FSM_ENABLE_A (46h)	94
11.19	FSM_ENABLE_B (47h)	94
11.20	FSM_LONG_COUNTER_L (48h) and FSM_LONG_COUNTER_H (49h)	95
11.21	FSM_LONG_COUNTER_CLEAR (4Ah)	95
11.22	FSM_OUTS1 (4Ch)	96
11.23	FSM_OUTS2 (4Dh)	97
11.24	FSM_OUTS3 (4Eh)	98
11.25	FSM_OUTS4 (4Fh)	99
11.26	FSM_OUTS5 (50h)	100
11.27	FSM_OUTS6 (51h)	101
11.28	FSM_OUTS7 (52h)	102
11.29	FSM_OUTS8 (53h)	103
11.30	FSM_OUTS9 (54h)	104
11.31	FSM_OUTS10 (55h)	105
11.32	FSM_OUTS11 (56h)	106
11.33	FSM_OUTS12 (57h)	107
11.34	FSM_OUTS13 (58h)	108
11.35	FSM_OUTS14 (59h)	109
11.36	FSM_OUTS15 (5Ah)	110
11.37	FSM_OUTS16 (5Bh)	111
11.38	EMB_FUNC_ODR_CFG_B (5Fh)	111

11.39	EMB_FUNC_ODR_CFG_C (60h)	112
11.40	EMB_FUNC_INIT_B (67h)	112
11.41	MLC0_SRC (70h)	112
11.42	MLC1_SRC (71h)	113
11.43	MLC2_SRC (72h)	113
11.44	MLC3_SRC (73h)	113
11.45	MLC4_SRC (74h)	113
11.46	MLC5_SRC (75h)	114
11.47	MLC6_SRC (76h)	114
11.48	MLC7_SRC (77h)	114
12	Embedded advanced features	115
13	Embedded advanced features register description	117
13.1	Page 0 - embedded advanced features registers	117
13.1.1	MAG_SENSITIVITY_L (BAh) and MAG_SENSITIVITY_H (BBh)	117
13.1.2	MAG_OFFX_L (C0h) and MAG_OFFX_H (C1h)	118
13.1.3	MAG_OFFY_L (C2h) and MAG_OFFY_H (C3h)	118
13.1.4	MAG_OFFZ_L (C4h) and MAG_OFFZ_H (C5h)	119
13.1.5	MAG_SI_XX_L (C6h) and MAG_SI_XX_H (C7h)	119
13.1.6	MAG_SI_XY_L (C8h) and MAG_SI_XY_H (C9h)	120
13.1.7	MAG_SI_XZ_L (CAh) and MAG_SI_XZ_H (CBh)	120
13.1.8	MAG_SI_YY_L (CCh) and MAG_SI_YY_H (CDh)	121
13.1.9	MAG_SI_YZ_L (CEh) and MAG_SI_YZ_H (CFh)	121
13.1.10	MAG_SI_ZZ_L (D0h) and MAG_SI_ZZ_H (D1h)	122
13.1.11	MAG_CFG_A (D4h)	123
13.1.12	MAG_CFG_B (D5h)	123
13.2	Page 1 - embedded advanced features registers	124
13.2.1	FSM_LC_TIMEOUT_L (7Ah) and FSM_LC_TIMEOUT_H (7Bh)	124
13.2.2	FSM_PROGRAMS (7Ch)	124
13.2.3	FSM_START_ADD_L (7Eh) and FSM_START_ADD_H (7Fh)	125
13.2.4	MLC_MAG_SENSITIVITY_L (E8h) and MLC_MAG_SENSITIVITY_H (E9h)	126
14	Sensor hub register mapping	127
15	Sensor hub register description	128
15.1	SENSOR_HUB_1 (02h)	128
15.2	SENSOR_HUB_2 (03h)	128
15.3	SENSOR_HUB_3 (04h)	128
15.4	SENSOR_HUB_4 (05h)	129

15.5	SENSOR_HUB_5 (06h)	129
15.6	SENSOR_HUB_6 (07h)	129
15.7	SENSOR_HUB_7 (08h)	130
15.8	SENSOR_HUB_8 (09h)	130
15.9	SENSOR_HUB_9 (0Ah)	130
15.10	SENSOR_HUB_10 (0Bh)	131
15.11	SENSOR_HUB_11 (0Ch)	131
15.12	SENSOR_HUB_12 (0Dh)	131
15.13	SENSOR_HUB_13 (0Eh)	132
15.14	SENSOR_HUB_14 (0Fh)	132
15.15	SENSOR_HUB_15 (10h)	132
15.16	SENSOR_HUB_16 (11h)	133
15.17	SENSOR_HUB_17 (12h)	133
15.18	SENSOR_HUB_18 (13h)	133
15.19	MASTER_CONFIG (14h)	134
15.20	SLV0_ADD (15h)	135
15.21	SLV0_SUBADD (16h)	135
15.22	SLV0_CONFIG (17h)	135
15.23	SLV1_ADD (18h)	136
15.24	SLV1_SUBADD (19h)	136
15.25	SLV1_CONFIG (1Ah)	136
15.26	SLV2_ADD (1Bh)	137
15.27	SLV2_SUBADD (1Ch)	137
15.28	SLV2_CONFIG (1Dh)	137
15.29	SLV3_ADD (1Eh)	138
15.30	SLV3_SUBADD (1Fh)	138
15.31	SLV3_CONFIG (20h)	138
15.32	DATAWRITE_SLV0 (21h)	139
15.33	STATUS_MASTER (22h)	139
16	Soldering information	140
17	Package information	141
17.1	LGA-14L package information	141
17.2	LGA-14 packing information	142
	Revision history	144
	List of tables	152



List of figures..... 159

List of tables

Table 1.	Pin description	9
Table 2.	Mechanical characteristics	10
Table 3.	Electrical characteristics	13
Table 4.	Temperature sensor characteristics	14
Table 5.	SPI slave timing values (in mode 3)	15
Table 6.	I ² C slave timing values	16
Table 7.	I ² C high-speed mode specifications at 1 MHz	17
Table 8.	Absolute maximum ratings	18
Table 9.	Serial interface pin description	20
Table 10.	I ² C terminology	20
Table 11.	SAD + read/write patterns	21
Table 12.	Transfer when master is writing one byte to slave.	21
Table 13.	Transfer when master is writing multiple bytes to slave	21
Table 14.	Transfer when master is receiving (reading) one byte of data from slave	21
Table 15.	Transfer when master is receiving (reading) multiple bytes of data from slave	21
Table 16.	MIPI I3C SM CCC commands	27
Table 17.	Master I ² C pin details	29
Table 18.	Gyroscope LPF2 bandwidth selection	32
Table 19.	Internal pin status	39
Table 20.	Registers address map	41
Table 21.	FUNC_CFG_ACCESS register	44
Table 22.	FUNC_CFG_ACCESS register description	44
Table 23.	PIN_CTRL register.	44
Table 24.	PIN_CTRL register description	44
Table 25.	FIFO_CTRL1 register	45
Table 26.	FIFO_CTRL1 register description	45
Table 27.	FIFO_CTRL2 register	45
Table 28.	FIFO_CTRL2 register	45
Table 29.	FIFO_CTRL3 register	46
Table 30.	FIFO_CTRL3 register description	46
Table 31.	FIFO_CTRL4 register	47
Table 32.	FIFO_CTRL4 register description	47
Table 33.	COUNTER_BDR_REG1 register	48
Table 34.	COUNTER_BDR_REG1 register description	48
Table 35.	COUNTER_BDR_REG2 register	48
Table 36.	COUNTER_BDR_REG2 register description	48
Table 37.	INT1_CTRL register	49
Table 38.	INT1_CTRL register description	49
Table 39.	INT2_CTRL register	50
Table 40.	INT2_CTRL register description	50
Table 41.	Who_Am_I register	51
Table 42.	CTRL1_XL register	51
Table 43.	CTRL1_XL register description	51
Table 44.	Accelerometer ODR register setting	51
Table 45.	CTRL2_G register	52
Table 46.	CTRL2_G register description	52
Table 47.	Gyroscope ODR configuration setting	52
Table 48.	CTRL3_C register	53
Table 49.	CTRL3_C register description	53
Table 50.	CTRL4_C register	54
Table 51.	CTRL4_C register description	54
Table 52.	CTRL5_C register	55
Table 53.	CTRL5_C register description	55

Table 54.	Angular rate sensor self-test mode selection	55
Table 55.	Linear acceleration sensor self-test mode selection	55
Table 56.	CTRL6_C register	56
Table 57.	CTRL6_C register description	56
Table 58.	Trigger mode selection	56
Table 59.	Gyroscope LPF1 bandwidth selection	56
Table 60.	CTRL7_G register	57
Table 61.	CTRL8_XL register	57
Table 62.	Accelerometer bandwidth configurations	58
Table 63.	CTRL9_XL register	59
Table 64.	CTRL9_XL register description	59
Table 65.	CTRL10_C register	59
Table 66.	CTRL10_C register description	59
Table 67.	ALL_INT_SRC register	60
Table 68.	ALL_INT_SRC register description	60
Table 69.	WAKE_UP_SRC register	60
Table 70.	WAKE_UP_SRC register description	60
Table 71.	D6D_SRC register	61
Table 72.	D6D_SRC register description	61
Table 73.	STATUS_REG register	62
Table 74.	STATUS_REG register description	62
Table 75.	OUT_TEMP_L register	62
Table 76.	OUT_TEMP_H register	62
Table 77.	OUT_TEMP register description	62
Table 78.	OUTX_H_G register	63
Table 79.	OUTX_L_G register	63
Table 80.	OUTX_H_G, OUTX_L_G register description	63
Table 81.	OUTY_H_G register	63
Table 82.	OUTY_L_G register	63
Table 83.	OUTY_H_G, OUTY_L_G register description	63
Table 84.	OUTZ_H_G register	63
Table 85.	OUTZ_L_G register	63
Table 86.	OUTZ_H_G, OUTZ_L_G register description	63
Table 87.	OUTX_H_A register	64
Table 88.	OUTX_L_A register	64
Table 89.	OUTX_H_A, OUTX_L_A register description	64
Table 90.	OUTY_H_A register	64
Table 91.	OUTY_L_A register	64
Table 92.	OUTY_H_A, OUTY_L_A register description	64
Table 93.	OUTZ_H_A register	64
Table 94.	OUTZ_L_A register	64
Table 95.	OUTZ_H_A, OUTZ_L_A register description	64
Table 96.	EMB_FUNC_STATUS_MAINPAGE register	65
Table 97.	EMB_FUNC_STATUS_MAINPAGE register description	65
Table 98.	FSM_STATUS_A_MAINPAGE register	65
Table 99.	FSM_STATUS_A_MAINPAGE register description	65
Table 100.	FSM_STATUS_B_MAINPAGE register	66
Table 101.	FSM_STATUS_B_MAINPAGE register description	66
Table 102.	MLC_STATUS_MAINPAGE register	66
Table 103.	MLC_STATUS_MAINPAGE register description	66
Table 104.	STATUS_MASTER_MAINPAGE register	67
Table 105.	STATUS_MASTER_MAINPAGE register description	67
Table 106.	FIFO_STATUS1 register	67
Table 107.	FIFO_STATUS1 register description	67
Table 108.	FIFO_STATUS2 register	68

Table 109.	FIFO_STATUS2 register description	68
Table 110.	TIMESTAMP3 register	69
Table 111.	TIMESTAMP2 register	69
Table 112.	TIMESTAMP1 register	69
Table 113.	TIMESTAMP0 register	69
Table 114.	INT_CFG0 register.	70
Table 115.	INT_CFG0 register description	70
Table 116.	INT_CFG1 register.	70
Table 117.	INT_CFG1 register description	70
Table 118.	THS_6D register	71
Table 119.	THS_6D register description	71
Table 120.	WAKE_UP_THS register.	71
Table 121.	WAKE_UP_THS register description	71
Table 122.	WAKE_UP_DUR register	72
Table 123.	WAKE_UP_DUR register description	72
Table 124.	FREE_FALL register	72
Table 125.	FREE_FALL register description	72
Table 126.	MD1_CFG register.	73
Table 127.	MD1_CFG register description.	73
Table 128.	MD2_CFG register.	74
Table 129.	MD2_CFG register description.	74
Table 130.	I3C_BUS_AVB register.	75
Table 131.	I3C_BUS_AVB register description.	75
Table 132.	INTERNAL_FREQ_FINE register.	76
Table 133.	INTERNAL_FREQ_FINE register description.	76
Table 134.	X_OFS_USR register	77
Table 135.	X_OFS_USR register description	77
Table 136.	Y_OFS_USR register	77
Table 137.	Z_OFS_USR register	77
Table 138.	Z_OFS_USR register description	77
Table 139.	FIFO_DATA_OUT_TAG register.	78
Table 140.	FIFO_DATA_OUT_TAG register description	78
Table 141.	FIFO tag	78
Table 142.	FIFO_DATA_OUT_X_H register.	79
Table 143.	FIFO_DATA_OUT_X_L register	79
Table 144.	FIFO_DATA_OUT_X_H, FIFO_DATA_OUT_X_L register description	79
Table 145.	FIFO_DATA_OUT_Y_H register.	79
Table 146.	FIFO_DATA_OUT_Y_L register	79
Table 147.	FIFO_DATA_OUT_Y_H, FIFO_DATA_OUT_Y_L register description	79
Table 148.	FIFO_DATA_OUT_Z_H register.	79
Table 149.	FIFO_DATA_OUT_Z_L register	79
Table 150.	FIFO_DATA_OUT_Z_H, FIFO_DATA_OUT_Z_L register description	79
Table 151.	Register address map - embedded functions.	80
Table 152.	PAGE_SEL register	82
Table 153.	PAGE_SEL register description	82
Table 154.	EMB_FUNC_EN_B register.	82
Table 155.	EMB_FUNC_EN_B register description	82
Table 156.	PAGE_ADDRESS register	82
Table 157.	PAGE_ADDRESS register description	82
Table 158.	PAGE_VALUE register	83
Table 159.	PAGE_VALUE register description	83
Table 160.	EMB_FUNC_INT1 register	83
Table 161.	EMB_FUNC_INT1 register description	83
Table 162.	FSM_INT1_A register.	84
Table 163.	FSM_INT1_A register description.	84

Table 164.	FSM_INT1_B register	85
Table 165.	FSM_INT1_B register description	85
Table 166.	MLC_INT1 register	86
Table 167.	MLC_INT1 register description	86
Table 168.	EMB_FUNC_INT2 register	87
Table 169.	EMB_FUNC_INT2 register description	87
Table 170.	FSM_INT2_A register	87
Table 171.	FSM_INT2_A register description	87
Table 172.	FSM_INT2_B register	88
Table 173.	FSM_INT2_B register description	88
Table 174.	MLC_INT2 register	89
Table 175.	MLC_INT2 register description	89
Table 176.	EMB_FUNC_STATUS register	89
Table 177.	EMB_FUNC_STATUS register description	89
Table 178.	FSM_STATUS_A register	90
Table 179.	FSM_STATUS_A register description	90
Table 180.	FSM_STATUS_B register	91
Table 181.	FSM_STATUS_B register description	91
Table 182.	MLC_STATUS register	92
Table 183.	MLC_STATUS register description	92
Table 184.	PAGE_RW register	93
Table 185.	PAGE_RW register description	93
Table 186.	FSM_ENABLE_A register	94
Table 187.	FSM_ENABLE_A register description	94
Table 188.	FSM_ENABLE_B register	94
Table 189.	FSM_ENABLE_B register description	94
Table 190.	FSM_LONG_COUNTER_L register	95
Table 191.	FSM_LONG_COUNTER_L register description	95
Table 192.	FSM_LONG_COUNTER_H register	95
Table 193.	FSM_LONG_COUNTER_H register description	95
Table 194.	FSM_LONG_COUNTER_CLEAR register	95
Table 195.	FSM_LONG_COUNTER_CLEAR register description	95
Table 196.	FSM_OUTS1 register	96
Table 197.	FSM_OUTS1 register description	96
Table 198.	FSM_OUTS2 register	97
Table 199.	FSM_OUTS2 register description	97
Table 200.	FSM_OUTS3 register	98
Table 201.	FSM_OUTS3 register description	98
Table 202.	FSM_OUTS4 register	99
Table 203.	FSM_OUTS4 register description	99
Table 204.	FSM_OUTS5 register	100
Table 205.	FSM_OUTS5 register description	100
Table 206.	FSM_OUTS6 register	101
Table 207.	FSM_OUTS6 register description	101
Table 208.	FSM_OUTS7 register	102
Table 209.	FSM_OUTS7 register description	102
Table 210.	FSM_OUTS8 register	103
Table 211.	FSM_OUTS8 register description	103
Table 212.	FSM_OUTS9 register	104
Table 213.	FSM_OUTS9 register description	104
Table 214.	FSM_OUTS10 register	105
Table 215.	FSM_OUTS10 register description	105
Table 216.	FSM_OUTS11 register	106
Table 217.	FSM_OUTS11 register description	106
Table 218.	FSM_OUTS12 register	107

Table 219.	FSM_OUTS12 register description	107
Table 220.	FSM_OUTS13 register	108
Table 221.	FSM_OUTS13 register description	108
Table 222.	FSM_OUTS14 register	109
Table 223.	FSM_OUTS14 register description	109
Table 224.	FSM_OUTS15 register	110
Table 225.	FSM_OUTS15 register description	110
Table 226.	FSM_OUTS16 register	111
Table 227.	FSM_OUTS16 register description	111
Table 228.	EMB_FUNC_ODR_CFG_B register	111
Table 229.	EMB_FUNC_ODR_CFG_B register description	111
Table 230.	EMB_FUNC_ODR_CFG_C register	112
Table 231.	EMB_FUNC_ODR_CFG_C register description	112
Table 232.	EMB_FUNC_INIT_B register	112
Table 233.	EMB_FUNC_INIT_B register description	112
Table 234.	MLC0_SRC register	112
Table 235.	MLC0_SRC register description	112
Table 236.	MLC1_SRC register	113
Table 237.	MLC1_SRC register description	113
Table 238.	MLC2_SRC register	113
Table 239.	MLC2_SRC register description	113
Table 240.	MLC3_SRC register	113
Table 241.	MLC3_SRC register description	113
Table 242.	MLC4_SRC register	113
Table 243.	MLC4_SRC register description	113
Table 244.	MLC5_SRC register	114
Table 245.	MLC5_SRC register description	114
Table 246.	MLC6_SRC register	114
Table 247.	MLC6_SRC register description	114
Table 248.	MLC7_SRC register	114
Table 249.	MLC7_SRC register description	114
Table 250.	Register address map - embedded advanced features page 0	115
Table 251.	Register address map - embedded advanced features page 1	115
Table 252.	MAG_SENSITIVITY_L register	117
Table 253.	MAG_SENSITIVITY_L register description	117
Table 254.	MAG_SENSITIVITY_H register	117
Table 255.	MAG_SENSITIVITY_H register description	117
Table 256.	MAG_OFFX_L register	118
Table 257.	MAG_OFFX_L register description	118
Table 258.	MAG_OFFX_H register	118
Table 259.	MAG_OFFX_H register description	118
Table 260.	MAG_OFFY_L register	118
Table 261.	MAG_OFFY_L register description	118
Table 262.	MAG_OFFY_H register	118
Table 263.	MAG_OFFY_H register description	118
Table 264.	MAG_OFFZ_L register	119
Table 265.	MAG_OFFZ_L register description	119
Table 266.	MAG_OFFZ_H register	119
Table 267.	MAG_OFFZ_H register description	119
Table 268.	MAG_SI_XX_L register	119
Table 269.	MAG_SI_XX_L register description	119
Table 270.	MAG_SI_XX_H register	119
Table 271.	MAG_SI_XX_H register description	119
Table 272.	MAG_SI_XY_L register	120
Table 273.	MAG_SI_XY_L register description	120

Table 274.	MAG_SI_XY_H register	120
Table 275.	MAG_SI_XY_H register description	120
Table 276.	MAG_SI_XZ_L register	120
Table 277.	MAG_SI_XZ_L register description	120
Table 278.	MAG_SI_XZ_H register	120
Table 279.	MAG_SI_XZ_H register description	120
Table 280.	MAG_SI_YY_L register	121
Table 281.	MAG_SI_YY_L register description	121
Table 282.	MAG_SI_YY_H register	121
Table 283.	MAG_SI_YY_H register description	121
Table 284.	MAG_SI_YZ_L register	121
Table 285.	MAG_SI_YZ_L register description	121
Table 286.	MAG_SI_YZ_H register	121
Table 287.	MAG_SI_YZ_H register description	121
Table 288.	MAG_SI_ZZ_L register	122
Table 289.	MAG_SI_ZZ_L register description	122
Table 290.	MAG_SI_ZZ_H register	122
Table 291.	MAG_SI_ZZ_H register description	122
Table 292.	MAG_CFG_A register	123
Table 293.	MAG_CFG_A register description	123
Table 294.	MAG_CFG_B register	123
Table 295.	MAG_CFG_B register description	123
Table 296.	FSM_LC_TIMEOUT_L register	124
Table 297.	FSM_LC_TIMEOUT_L register description	124
Table 298.	FSM_LC_TIMEOUT_H register	124
Table 299.	FSM_LC_TIMEOUT_H register description	124
Table 300.	FSM_PROGRAMS register	124
Table 301.	FSM_PROGRAMS register description	124
Table 302.	FSM_START_ADD_L register	125
Table 303.	FSM_START_ADD_L register description	125
Table 304.	FSM_START_ADD_H register	125
Table 305.	FSM_START_ADD_H register description	125
Table 306.	MLC_MAG_SENSITIVITY_L register	126
Table 307.	MLC_MAG_SENSITIVITY_L register description	126
Table 308.	MLC_MAG_SENSITIVITY_H register	126
Table 309.	MLC_MAG_SENSITIVITY_H register description	126
Table 310.	Registers address map	127
Table 311.	SENSOR_HUB_1 register	128
Table 312.	SENSOR_HUB_1 register description	128
Table 313.	SENSOR_HUB_2 register	128
Table 314.	SENSOR_HUB_2 register description	128
Table 315.	SENSOR_HUB_3 register	128
Table 316.	SENSOR_HUB_3 register description	128
Table 317.	SENSOR_HUB_4 register	129
Table 318.	SENSOR_HUB_4 register description	129
Table 319.	SENSOR_HUB_5 register	129
Table 320.	SENSOR_HUB_5 register description	129
Table 321.	SENSOR_HUB_6 register	129
Table 322.	SENSOR_HUB_6 register description	129
Table 323.	SENSOR_HUB_7 register	130
Table 324.	SENSOR_HUB_7 register description	130
Table 325.	SENSOR_HUB_8 register	130
Table 326.	SENSOR_HUB_8 register description	130
Table 327.	SENSOR_HUB_9 register	130
Table 328.	SENSOR_HUB_9 register description	130

Table 329.	SENSOR_HUB_10 register	131
Table 330.	SENSOR_HUB_10 register description	131
Table 331.	SENSOR_HUB_11 register	131
Table 332.	SENSOR_HUB_11 register description	131
Table 333.	SENSOR_HUB_12 register	131
Table 334.	SENSOR_HUB_12 register description	131
Table 335.	SENSOR_HUB_13 register	132
Table 336.	SENSOR_HUB_13 register description	132
Table 337.	SENSOR_HUB_14 register	132
Table 338.	SENSOR_HUB_14 register description	132
Table 339.	SENSOR_HUB_15 register	132
Table 340.	SENSOR_HUB_15 register description	132
Table 341.	SENSOR_HUB_16 register	133
Table 342.	SENSOR_HUB_16 register description	133
Table 343.	SENSOR_HUB_17 register	133
Table 344.	SENSOR_HUB_17 register description	133
Table 345.	SENSOR_HUB_18 register	133
Table 346.	SENSOR_HUB_18 register description	133
Table 347.	MASTER_CONFIG register	134
Table 348.	MASTER_CONFIG register description	134
Table 349.	SLV0_ADD register	135
Table 350.	SLV0_ADD register description	135
Table 351.	SLV0_SUBADD register	135
Table 352.	SLV0_SUBADD register description	135
Table 353.	SLV0_CONFIG register	135
Table 354.	SLV0_CONFIG register description	135
Table 355.	SLV1_ADD register	136
Table 356.	SLV1_ADD register description	136
Table 357.	SLV1_SUBADD register	136
Table 358.	SLV1_SUBADD register description	136
Table 359.	SLV1_CONFIG register	136
Table 360.	SLV1_CONFIG register description	136
Table 361.	SLV2_ADD register	137
Table 362.	SLV2_ADD register description	137
Table 363.	SLV2_SUBADD register	137
Table 364.	SLV2_SUBADD register description	137
Table 365.	SLV2_CONFIG register	137
Table 366.	SLV2_CONFIG register description	137
Table 367.	SLV3_ADD register	138
Table 368.	SLV3_ADD register description	138
Table 369.	SLV3_SUBADD register	138
Table 370.	SLV3_SUBADD register description	138
Table 371.	SLV3_CONFIG register	138
Table 372.	SLV3_CONFIG register description	138
Table 373.	DATAWRITE_SLV0 register	139
Table 374.	DATAWRITE_SLV0 register description	139
Table 375.	STATUS_MASTER register	139
Table 376.	STATUS_MASTER register description	139
Table 377.	Reel dimensions for carrier tape of LGA-14 package	143
Table 378.	Document revision history	144

List of figures

Figure 1.	Generic state machine	4
Figure 2.	State machine in the ASM330LHHX	5
Figure 3.	Machine learning core in the ASM330LHHX	6
Figure 4.	Pin connections	7
Figure 5.	ASM330LHHX connection modes	8
Figure 6.	SPI slave timing diagram (in mode 3)	15
Figure 7.	I ² C slave timing diagram	16
Figure 8.	Read and write protocol (in mode 3)	22
Figure 9.	SPI read protocol (in mode 3)	23
Figure 10.	Multiple byte SPI read protocol (2-byte example) (in mode 3)	23
Figure 11.	SPI write protocol (in mode 3)	24
Figure 12.	Multiple byte SPI write protocol (2-byte example) (in mode 3)	24
Figure 13.	SPI read protocol in 3-wire mode (in mode 3)	25
Figure 14.	I ² C and I ³ C both active (INT1 pin not connected)	28
Figure 15.	Only I ³ C active (INT1 pin connected to Vdd_IO)	28
Figure 16.	Block diagram of filters	31
Figure 17.	Gyroscope filtering chain	32
Figure 18.	Accelerometer chain	33
Figure 19.	Accelerometer composite filter	33
Figure 20.	ASM330LHHX electrical connections in mode 1	37
Figure 21.	ASM330LHHX electrical connections in mode 2	38
Figure 22.	Accelerometer block diagram	58
Figure 23.	LGA-14L 2.5 x 3.0 x 0.86 mm package outline and mechanical data	141
Figure 24.	Carrier tape information for LGA-14 package	142
Figure 25.	LGA-14 package orientation in carrier tape	142
Figure 26.	Reel information for carrier tape of LGA-14 package	143

IMPORTANT NOTICE – READ CAREFULLY

STMicroelectronics NV and its subsidiaries (“ST”) reserve the right to make changes, corrections, enhancements, modifications, and improvements to ST products and/or to this document at any time without notice. Purchasers should obtain the latest relevant information on ST products before placing orders. ST products are sold pursuant to ST’s terms and conditions of sale in place at the time of order acknowledgment.

Purchasers are solely responsible for the choice, selection, and use of ST products and ST assumes no liability for application assistance or the design of purchasers’ products.

No license, express or implied, to any intellectual property right is granted by ST herein.

Resale of ST products with provisions different from the information set forth herein shall void any warranty granted by ST for such product.

ST and the ST logo are trademarks of ST. For additional information about ST trademarks, refer to www.st.com/trademarks. All other product or service names are the property of their respective owners.

Information in this document supersedes and replaces information previously supplied in any prior versions of this document.

© 2023 STMicroelectronics – All rights reserved