

# High Speed Half-Bridge Driver for GaN Power Switches

## NCP51810

The NCP51810 high-speed, gate driver is designed to meet the stringent requirements of driving enhancement mode (e-mode), high electron mobility transistor (HEMT), gallium nitride (GaN) power switches in medium-voltage half-bridge DC-DC application. The NCP51810 offers short and matched propagation delays with advanced level shift technology providing -3.5 V to +150 V (typical) common mode voltage range for the high-side drive and -3.5 V to +3.5 V common mode voltage range for the low-side drive. In addition, the device provides stable dV/dt operation rated up to 200 V/ns for both driver output stages in high speed switching applications.

To fully protect the gate of the GaN power transistor against excessive voltage stress, both drive stages employ a dedicated voltage regulator to accurately maintain the gate-source drive signal amplitude. The circuit actively regulates the driver's bias rails and thus protects against potential gate-source over-voltage under various operating conditions.

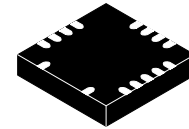
The NCP51810 offers important protection functions such as independent under-voltage lockout (UVLO), monitoring VDD bias voltage and VDDH and VDDL driver bias and thermal shutdown based on die junction temperature of the device. Programmable dead-time control can be configured to prevent cross-conduction.

### Features

- 150 V, Integrated High-Side and Low-Side Gate Drivers
- UVLO Protections for VDD High and Low-Side Drivers
- Dual TTL Compatible Schmitt Trigger Inputs
- Split Output Allows Independent Turn-ON/Turn-OFF Adjustment
- Source Capability: 1 A; Sink Capability: 2 A
- Separated HO and LO Driver Output Stages
- 1 ns Rise and Fall Times Optimized for GaN Devices
- SW and PGND: Negative Voltage Transient up to 3.5 V
- 200 V/ns dV/dt Rating for all SW and PGND Referenced Circuitry
- Maximum Propagation Delay of Less Than 50 ns
- Matched Propagation Delays to Less Than 5 ns
- User Programmable Dead-Time Control
- Thermal Shutdown (TSD)

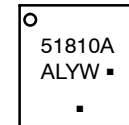
### Typical Applications

- Driving GaN Power Transistors used in Full or Half-Bridge, LLC, Active Clamp Flyback or Forward and Synchronous Rectifier Topologies
- 48 V to 12 V PoL Converters, 48 V to Low Voltage Bus Converter, Industrial Modules



QFN15 4x4, 0.5P  
CASE 485FN

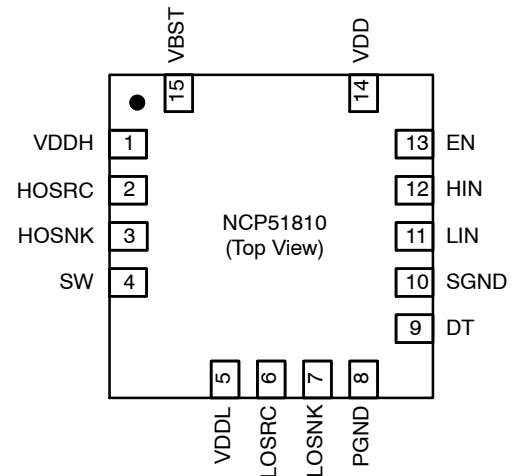
### MARKING DIAGRAM



51810A = Specific Device Code  
A = Assembly Site  
L = Wafer Lot Number  
YW = Assembly Start Week  
▪ = Pb-Free Package

(Note: Microdot may be in either location)

### PIN ASSIGNMENT



### ORDERING INFORMATION

Device	Package	Shipping†
NCP51810AMNTWG	QFN15 (Pb-Free)	4000 / Tape & Reel

†For information on tape and reel specifications, including part orientation and tape sizes, please refer to our Tape and Reel Packaging Specifications Brochure, BRD8011/D.

# NCP51810

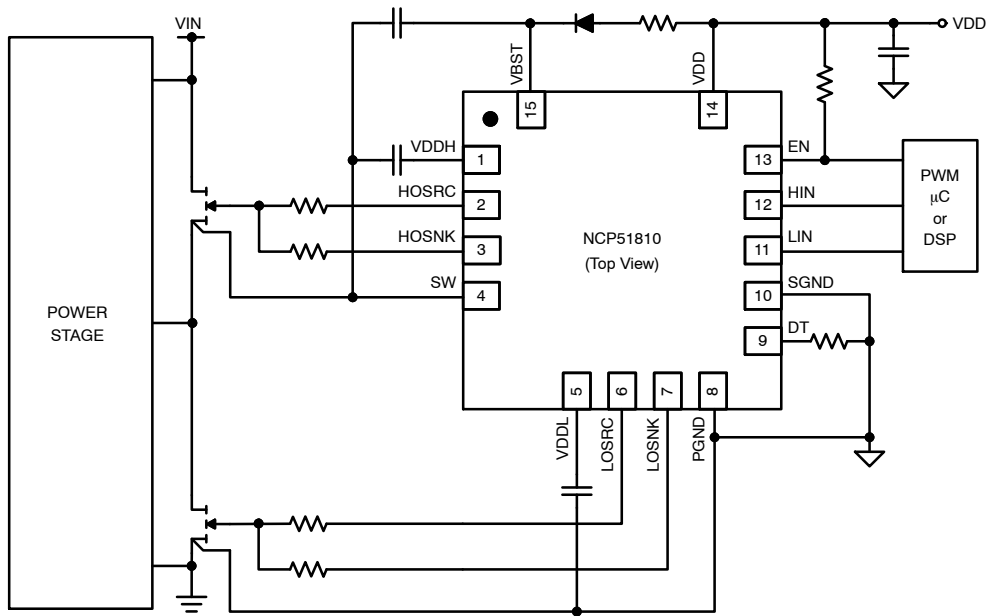


Figure 1. Typical Application Schematic

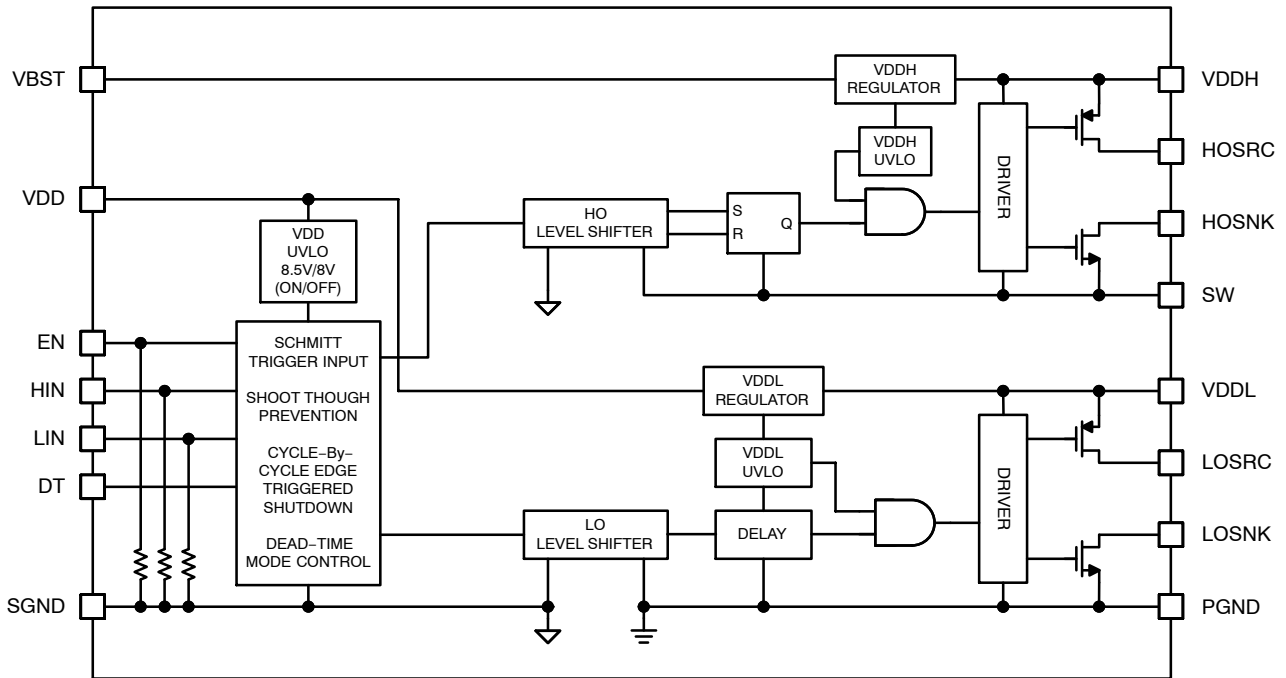
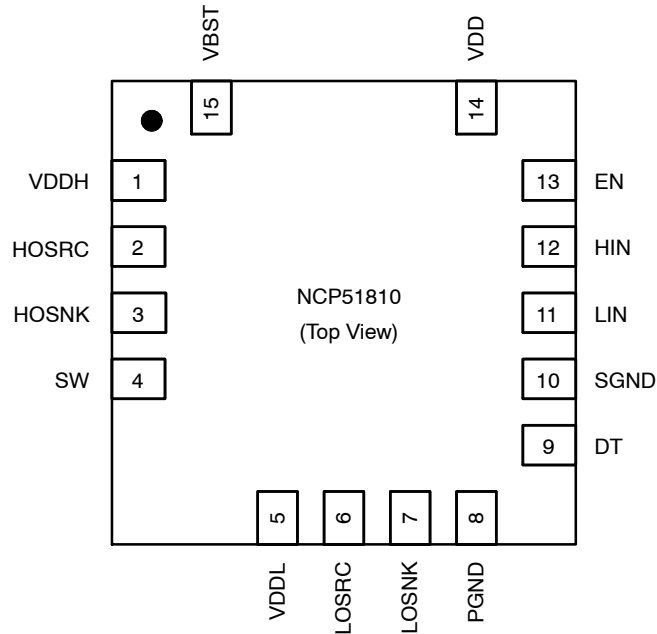


Figure 2. Internal Block Diagram

# NCP51810

## PIN CONNECTIONS



**Figure 3. Pin Assignments – 15 Lead QFN (Top View)**

### PIN DESCRIPTION

Pin No.	Name	Description
1	VDDH	High-side driver positive bias voltage output
2	HOSRC	High-side driver sourcing output
3	HOSNK	High-side driver sinking output
4	SW	Switch-node / high-side driver return
5	VDDL	Low-side driver positive bias voltage output
6	LOSRC	Low-side driver sourcing output
7	LOSNK	Low-side driver sinking output
8	PGND	Power ground / low-side driver return
9	DT	Dead time adjustment / mode select
10	SGND	Logic / signal ground
11	LIN	Logic input for low-side gate driver output
12	HIN	Logic input for high-side gate driver output
13	EN	Logic input for disabling the driver (low power mode)
14	VDD	Bias voltage for high current driver
15	VBST	Bootstrap positive bias voltage

# NCP51810

## ABSOLUTE MAXIMUM RATINGS (All voltages are referenced to SGND pin unless otherwise noted)

Symbol	Rating	Min	Max	Unit	
V <sub>DD</sub>	Low-side and logic-fixed supply voltage (PGND = SGND)	-0.3	20	V	
V <sub>DDL</sub>	Low-side supply voltage V <sub>DDL</sub> (internally regulated; output only, do not connect to external voltage source, referenced to PGND)	-0.3	5.5	V	
V <sub>SW</sub>	High-side common mode voltage range (SW)	-3.5	150	V	
V <sub>DDH</sub>	High-side floating supply voltage V <sub>DDH</sub> (internally regulated; output only, do not connect to external voltage source; referenced to SW)	-0.3	5.5	V	
V <sub>BST_SGND</sub>	High-side floating supply voltage V <sub>BST</sub>	-0.3	170	V	
V <sub>BST_SW</sub>	High-side floating supply voltage V <sub>BST</sub> (referenced to SW)	-0.3	20	V	
V <sub>HOSRC</sub> , V <sub>HOSNK</sub>	High-side floating driver sourcing/sinking output voltage (referenced to SW)	-0.3	V <sub>DDH</sub> +0.3	V	
V <sub>PGND</sub>	PGND voltage	-3.5	3.5	V	
V <sub>LOSRC</sub> , V <sub>LOSNK</sub>	Low-side driver sourcing/sinking output voltage (referenced to PGND)	-0.3	V <sub>DDL</sub> +0.3	V	
V <sub>IN</sub>	Logic input voltage (HIN, LIN, and EN)	-0.3	V <sub>DD</sub> +0.3	V	
V <sub>DT</sub>	Dead-time control voltage (DT)	-0.3	V <sub>DD</sub> +0.3	V	
dV <sub>SW</sub> /dt	Allowable offset voltage slew rate	-	200	V/ns	
T <sub>J</sub>	Operating Junction Temperature	-	150	°C	
T <sub>STG</sub>	Storage Temperature Range	-55	150	°C	
	Electrostatic Discharge Capability	Human Body Model (Note 3)	-	1	kV
		Charged Device Model (Note 3)	-	1	kV

Stresses exceeding those listed in the Maximum Ratings table may damage the device. If any of these limits are exceeded, device functionality should not be assumed, damage may occur and reliability may be affected.

1. Refer to ELECTRICAL CHARACTERISTICS, RECOMMENDED OPERATING RANGES and/or APPLICATION INFORMATION for Safe Operating parameters.
2. V<sub>DD</sub> – PGND voltage must not exceed 20 V
3. This device series incorporates ESD protection and is tested by the following methods:  
ESD Human Body Model tested per ANSI/ESDA/JEDEC JS-001-2012  
ESD Charged Device Model tested per JESD22-C101.
4. This device contains latch-up protection and exceeds 100 mA per JEDEC Standard JESD78 Class I.

## THERMAL CHARACTERISTICS

Symbol	Rating	Value	Unit	
θ <sub>JA</sub>	Thermal Characteristics, QFN15 4x4 (Note 5) Thermal Resistance Junction–Ambient (Note 6)	IS0P	245	°C/W
		IS2P	188	
P <sub>D</sub>	Power Dissipation (Note 6) QFN15 4x4 (Note 5)	IS0P	0.51	W
		IS2P	0.665	

5. Refer to ELECTRICAL CHARACTERISTICS, RECOMMENDED OPERATING RANGES and/or APPLICATION INFORMATION for Safe Operating parameters.
6. JEDEC standard: JESD51-2, JESD51-3. Mounted on 76.2×114.3×1.6 mm PCB (FR-4 glass epoxy material).  
IS0P: one single layer with zero power planes  
IS2P: one single layer with two power planes

# NCP51810

## RECOMMENDED OPERATING CONDITIONS (All voltages are referenced to SGND pin unless otherwise noted)

Symbol	Rating	Min	Max	Unit
V <sub>DD</sub>	Low-side and logic-fixed supply voltage	9	17	V
V <sub>SW-SGND</sub>	SW-SGND maximum dc offset voltage (High-Side driver)	-	150	V
V <sub>BST</sub>	High-side floating supply voltage V <sub>BST</sub>	-	V <sub>SW</sub> +17	V
V <sub>HOSRC</sub> , V <sub>HOSNK</sub>	High-side floating driver sourcing/sinking output voltage	-	V <sub>DDH</sub>	V
V <sub>LOSRC</sub> , V <sub>LOSNK</sub>	Low-side driver sourcing/sinking output voltage	-	V <sub>DDL</sub>	V
V <sub>IN</sub>	Logic input voltage (HIN, LIN, and EN)	-	17	V
PGND-SGND	PGND-SGND maximum dc offset voltage (Low-Side driver)	-3.0	3.0	V

Functional operation above the stresses listed in the Recommended Operating Ranges is not implied. Extended exposure to stresses beyond the Recommended Operating Ranges limits may affect device reliability.

**ELECTRICAL CHARACTERISTICS** (V<sub>BIAS</sub> (V<sub>DD</sub>, V<sub>BST</sub>) = 15 V, DT = SGND = PGND and C<sub>LOAD</sub> = 330 pF for typical values T<sub>J</sub> = 25°C, for min/max values T<sub>J</sub> = -40°C to +125°C, unless otherwise specified.) The V<sub>IN</sub> and I<sub>IN</sub> parameters are referenced to SGND. The V<sub>O</sub> and I<sub>O</sub> parameters are referenced to V<sub>SW</sub> and PGND and are applicable to the respective outputs HOSRC, HOSNK, LOSRC, and LOSNK.

Symbol	Parameter	Test Conditions and Description	Min	Typ	Max	Unit
--------	-----------	---------------------------------	-----	-----	-----	------

### POWER SUPPLY SECTION (VDD)

I <sub>QDD</sub>	Quiescent V <sub>DD</sub> supply current	V <sub>LIN</sub> = V <sub>HIN</sub> = 0 V, EN = 0 V	-	100	150	μA
I <sub>PDD</sub>	Operating V <sub>DD</sub> supply current	f <sub>LIN</sub> = 500 kHz, average value	-	1.5	2.5	mA
V <sub>DDUV+</sub>	V <sub>DD</sub> UVLO positive going threshold	V <sub>DD</sub> = Sweep	8.0	8.5	9.0	V
V <sub>DDUV-</sub>	V <sub>DD</sub> UVLO negative going threshold	V <sub>DD</sub> = Sweep	7.5	8.0	8.5	V
V <sub>DDHYS</sub>	V <sub>DD</sub> UVLO Hysteresis	V <sub>DD</sub> = Sweep	-	0.5	-	V
t <sub>UVDDFLT</sub>	V <sub>DD</sub> UVLO Filter Delay Time (Note 7)		-	5.3	-	μs

### BOOTSTRAPPED POWER SUPPLY SECTION

I <sub>LK</sub>	Offset supply leakage current	V <sub>BST</sub> = V <sub>SW</sub> = 150 V	-	-	10	μA
I <sub>QBST</sub>	Quiescent V <sub>BST</sub> supply current	V <sub>LIN</sub> = V <sub>HIN</sub> = 0 V, EN = 5 V	-	35	100	μA
I <sub>PBST</sub>	Operating V <sub>BST</sub> supply current	f <sub>HIN</sub> = 500 kHz, average value	-	1.5	2.5	mA

### GATE DRIVER POWER SUPPLY SECTION

V <sub>DDH</sub>	V <sub>DDH</sub> -V <sub>SW</sub> regulated voltage	0 mA < I <sub>O</sub> < 10 mA	4.94	5.20	5.46	V
V <sub>DDL</sub>	V <sub>DDL</sub> -PGND regulated voltage		4.94	5.20	5.46	V

### INPUT LOGIC SECTION (HIN, LIN and EN)

V <sub>INH</sub>	High Level Input Voltage Threshold		-	-	2.5	V
V <sub>INL</sub>	Low Level Input Voltage Threshold		1.2	-	-	V
V <sub>IN_HYS</sub>	Input Logic Voltage Hysteresis		-	0.5	-	V
I <sub>IN+</sub>	High Level Logic Input Bias Current	V <sub>HIN</sub> = V <sub>LIN</sub> = 5 V	9	15	21	μA
I <sub>IN-</sub>	Low Level Logic Input Bias Current	V <sub>HIN</sub> = V <sub>LIN</sub> = 0 V	-	-	2.2	μA
R <sub>IN</sub>	Input Pull-down Resistance	V <sub>HIN</sub> = V <sub>LIN</sub> = 5 V	-	333	-	kΩ

### DEAD-TIME SECTION

V <sub>DT,MIN</sub>	Minimum Dead-Time Control Voltage	R <sub>DT</sub> = 30 kΩ	0.45	0.60	0.75	V
t <sub>DT,MIN</sub>			22	30	38	ns
V <sub>DT,MAX</sub>	Maximum Dead-Time Control Voltage	R <sub>DT</sub> = 200 kΩ	3.1	4.0	4.8	V
t <sub>DT,MAX</sub>			160	200	240	ns
Δt <sub>DT</sub>	Dead-Time mismatch between LO → HO and HO → LO	R <sub>DT</sub> = 30 kΩ	-	-	5	ns
		R <sub>DT</sub> = 200 kΩ	-	-	10	ns

# NCP51810

**ELECTRICAL CHARACTERISTICS** ( $V_{BIAS}$  ( $V_{DD}$ ,  $V_{BST}$ ) = 15 V, DT = SGND = PGND and  $C_{LOAD}$  = 330 pF for typical values  $T_J$  = 25°C, for min/max values  $T_J$  = -40°C to +125°C, unless otherwise specified.) The  $V_{IN}$  and  $I_{IN}$  parameters are referenced to SGND. The  $V_O$  and  $I_O$  parameters are referenced to  $V_{SW}$  and PGND and are applicable to the respective outputs HOSRC, HOSNK, LOSRC, and LOSNK. (continued)

Symbol	Parameter	Test Conditions and Description	Min	Typ	Max	Unit
--------	-----------	---------------------------------	-----	-----	-----	------

## DEAD-TIME SECTION

$V_{DT,0}$	Dead-Time Disable Threshold	Cross conduction prevention active	0.35	0.40	0.45	V
$V_{DT,OLE}$	High- & Low-Side Overlap Enable Threshold	Cross conduction prevention disabled	5.5	6.0	6.5	V

## PROTECTION SECTION

$V_{UVTH\_VDDX+}$	UVLO Threshold on VDDH and VDDL positive going threshold		4.15	4.40	4.70	V
$V_{UVTH\_VDDX-}$	UVLO Threshold on VDDH and VDDL negative going threshold		4.0	4.2	4.5	V
TSD	Thermal Shutdown (Note 7)		150	-	-	°C
hys	Hysteresis of Thermal Shutdown (Note 7)		-	50	-	°C

## GATE DRIVE OUTPUT SECTION

$V_{OH}$	High-level output voltage, $V_{VDDH}-V_{HOSRC}$ or $V_{VDDL}-V_{LOSRC}$	$I_{OSRC} = 10$ mA	-	10	40	mV
$V_{OL}$	Low-level output voltage, $V_{HOSNK}-V_{SW}$ or $V_{LOSNK}-PGND$	$I_{OSNK} = 10$ mA	-	5	20	mV
$I_{OSRC}$	Peak source current (Note 7)	$C_{LOAD} = 200$ pF, $R_{gate} = 1$ $\Omega$	0.9	1.0	-	A
$I_{OSNK}$	Peak sink current (Note 7)	$C_{LOAD} = 200$ pF, $R_{gate} = 1$ $\Omega$	1.8	2.0	-	A

Product parametric performance is indicated in the Electrical Characteristics for the listed test conditions, unless otherwise noted. Product performance may not be indicated by the Electrical Characteristics if operated under different conditions.

7. Guaranteed by design, is not tested in production.

**DYNAMIC ELECTRICAL CHARACTERISTICS** ( $V_{BIAS}$  ( $V_{DD}$ ,  $V_{BST}$ )=15 V, DT=SGND=PGND and  $C_{LOAD}$ =330 pF, for typical values  $T_A$ =25°C, for min/max values  $T_A$ =-40°C to +125°C, unless otherwise specified.) (Notes 9)

Symbol	Parameter	Test Conditions	Min	Typ	Max	Unit
$I_{QDD}$	Quiescent $V_{DD}$ supply current	$V_{LIN} = V_{HIN} = 0$ V, EN = 0 V	-	100	150	$\mu$ A
$t_{PDLOn}$	LOSRC turn-on propagation delay time	LIN rising to LOSRC rising (50% to 10%)	-	25	50	ns
$t_{PDLOff}$	LOSNK turn-off propagation delay time	LIN falling to LOSNK falling (50% to 90%)	-	25	50	ns
$t_{PDHOOn}$	HOSRC turn-on propagation delay time	HIN rising to HOSRC rising (50% to 10%) SW = PGND	-	25	50	ns
$t_{PDHOOff}$	HOSNK turn-off propagation delay time	HIN falling to HOSNK falling (50% to 90%) SW = PGND	-	25	50	ns
$t_{RL}$	LOSRC turn-on rising time		-	2	4	ns
$t_{FL}$	LOSNK turn-off falling time		-	1.5	3.0	ns
$t_{RH}$	HOSRC turn-on rising time	SW = PGND	-	2	4	ns
$t_{FH}$	HOSNK turn-off falling time		-	1.5	3.0	ns
$\Delta t_{DEL}$	Propagation Delay match	HIN to HO and LIN to LO, SW = PGND	-	-	5	ns
$t_{PW}$	Minimum input pulse width		-	-	10	ns

Product parametric performance is indicated in the Electrical Characteristics for the listed test conditions, unless otherwise noted. Product performance may not be indicated by the Electrical Characteristics if operated under different conditions.

8. This parameter, although guaranteed by design, is not tested in production.

9. Performance guaranteed over the indicated operating temperature range by design and/or characterization tested at  $T_J = T_A = 25^\circ\text{C}$ .

# NCP51810

## Timing Diagram

Shown in Figure 4 are the timing waveform definitions matching the specified dynamic electrical characteristics specified in the gate drive output section.

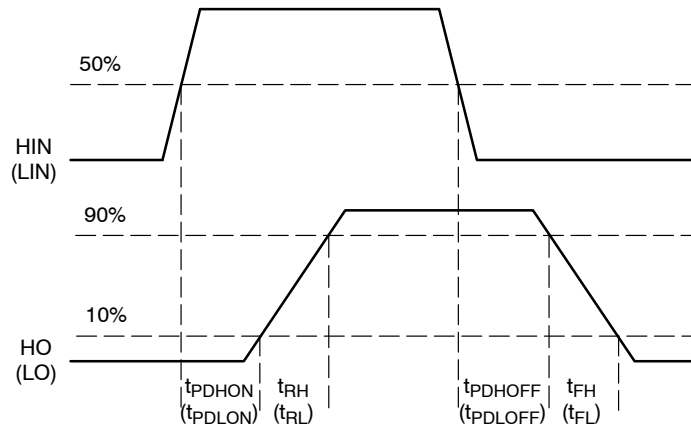


Figure 4. Input to Output Timing Diagram

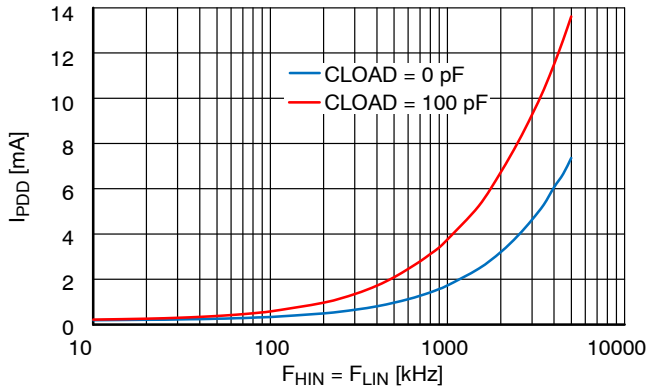


Figure 5. Operating VDD Supply Current ( $I_{PDD}$ ) vs. Frequency (VDD = 12 V, SW = PGND, EN = VDD, Both Outputs Switching)

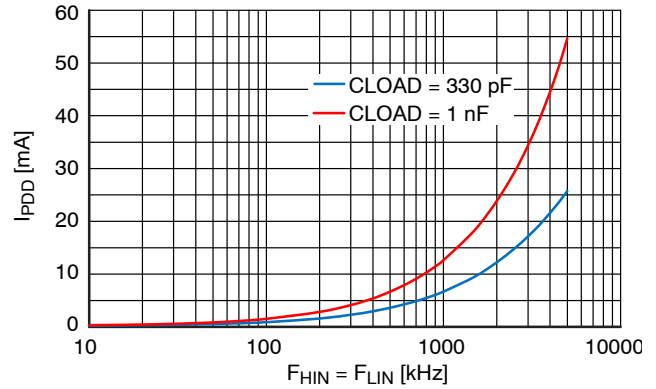


Figure 6. Operating VDD Supply Current ( $I_{PDD}$ ) vs. Frequency (VDD = 12 V, SW = PGND, EN = VDD, Both Outputs Switching)

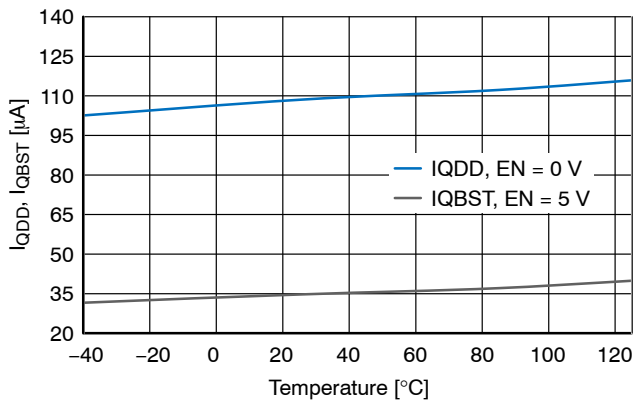


Figure 7. Quiescent Current ( $I_{QDD}$ ,  $I_{QBST}$ ) vs. Temperature

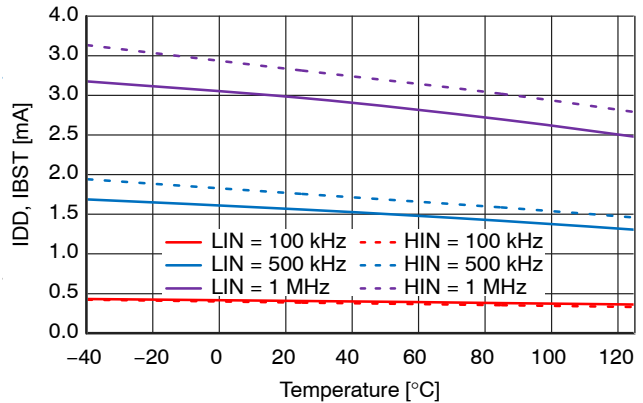
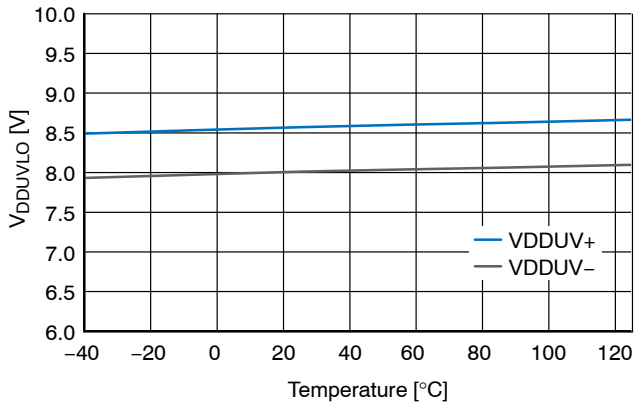
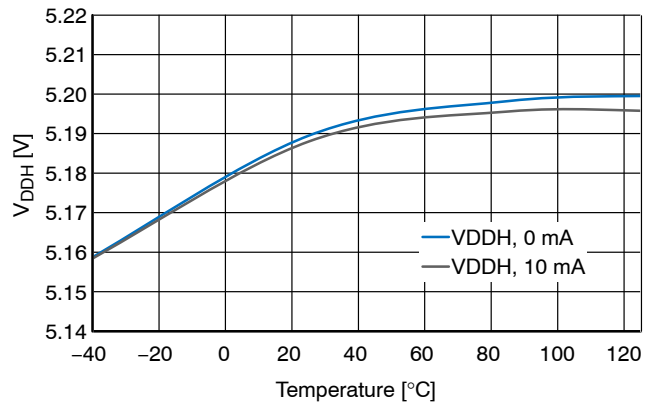


Figure 8. Operating Current ( $I_{PDD}$ ,  $I_{PBST}$ ) vs. Temperature

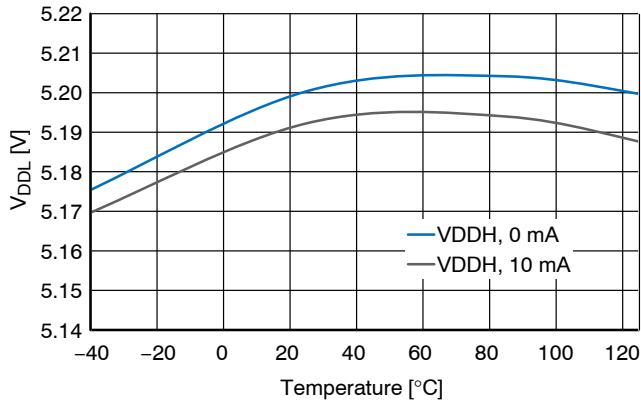
# NCP51810



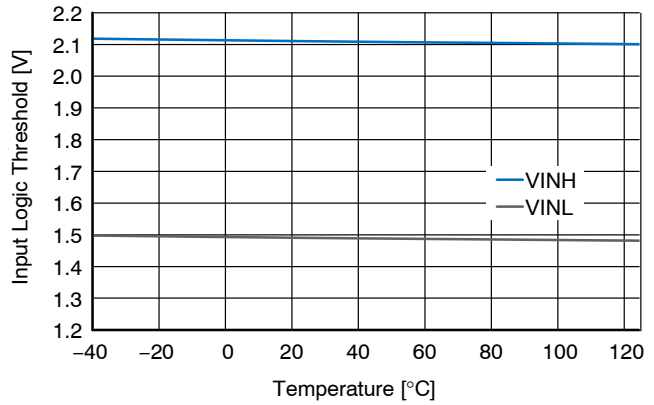
**Figure 9. VDD UVLO ( $V_{DDUVLO+}$ ,  $V_{DDUVLO-}$ ) vs. Temperature**



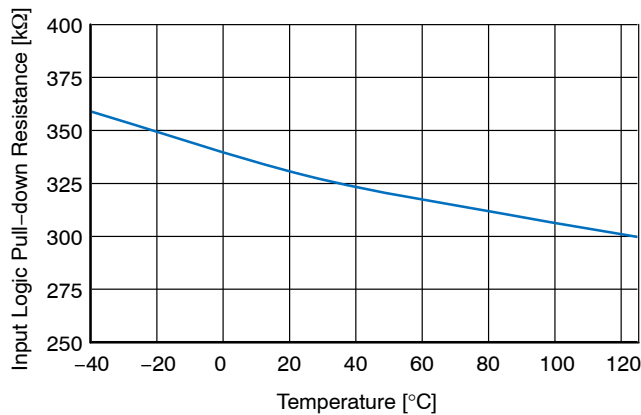
**Figure 10. VDDH ( $V_{DDH}$ ) Regulated Output Voltage vs. Temperature**



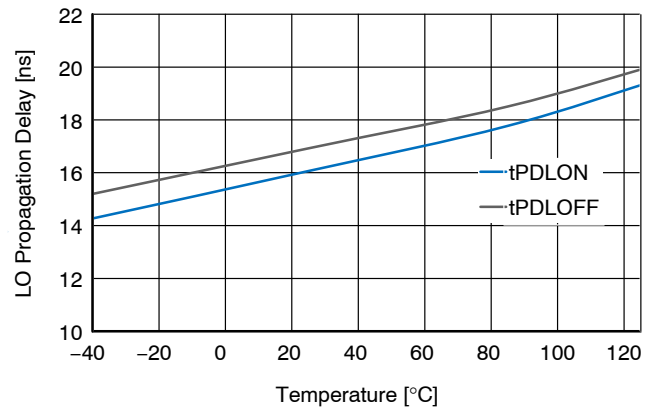
**Figure 11. VDDL ( $V_{DDL}$ ) Regulated Output Voltage vs. Temperature**



**Figure 12. Input Logic (HIN, LIN, EN) Threshold vs. Temperature**



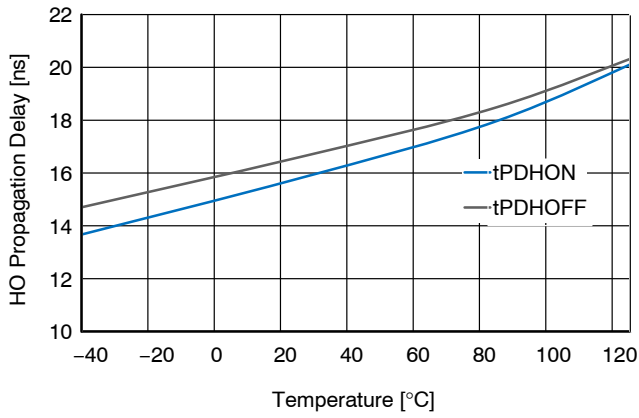
**Figure 13. Input Logic (HIN, LIN, EN) Pull-down Resistance vs. Temperature**



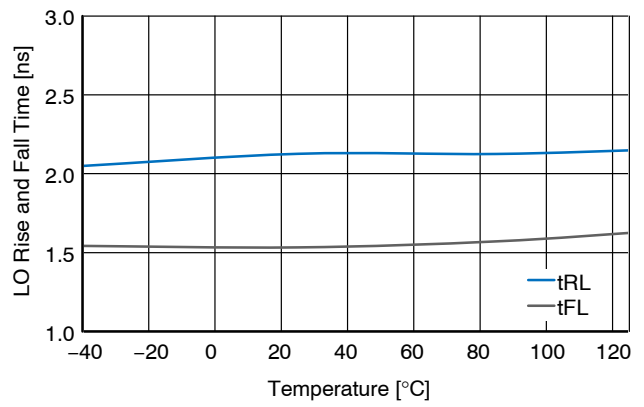
**Figure 14. LIN to LOSRC Propagation Delay vs. Temperature**



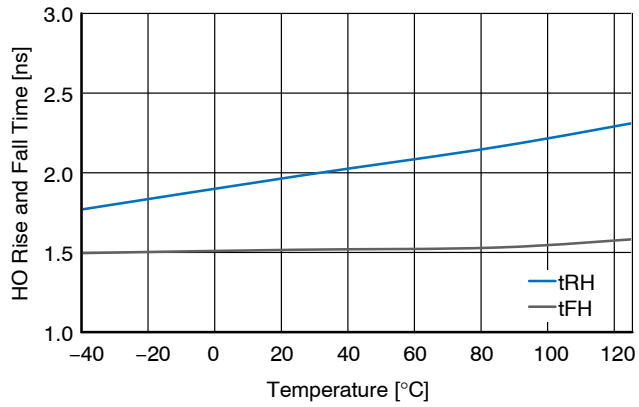
# NCP51810



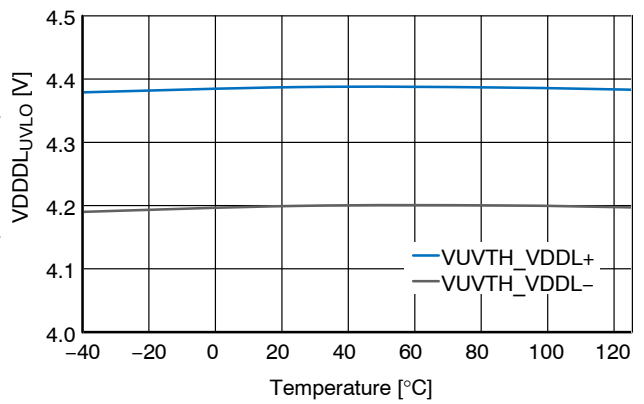
**Figure 15. HIN to HOSRC Propagation Delay vs. Temperature**



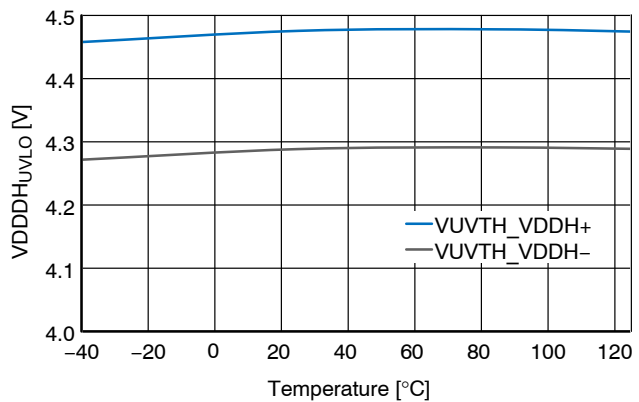
**Figure 16. LOSRC Rise Time and LOSNK Fall Time vs. Temperature**



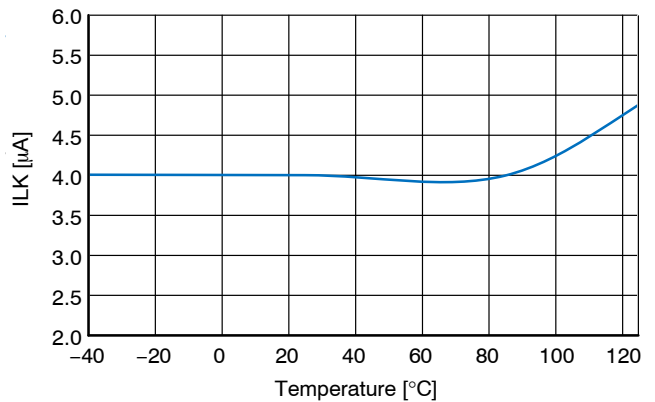
**Figure 17. HOSRC Rise Time and HOSNK Fall Time vs. Temperature**



**Figure 18. VDDL UVLO vs. Temperature**

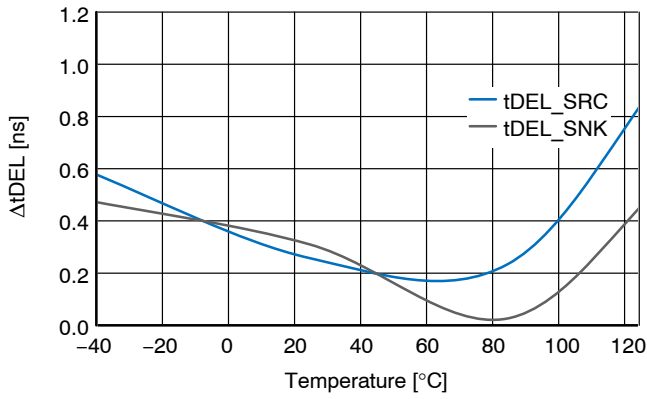


**Figure 19. VDDH UVLO vs. Temperature**

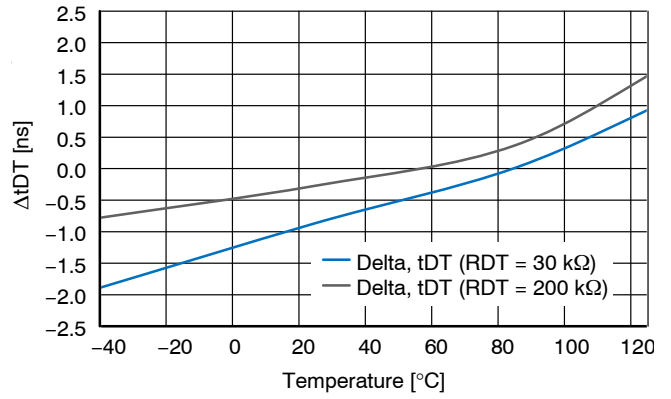


**Figure 20. VBST Leakage Current (ILK) vs. Temperature**

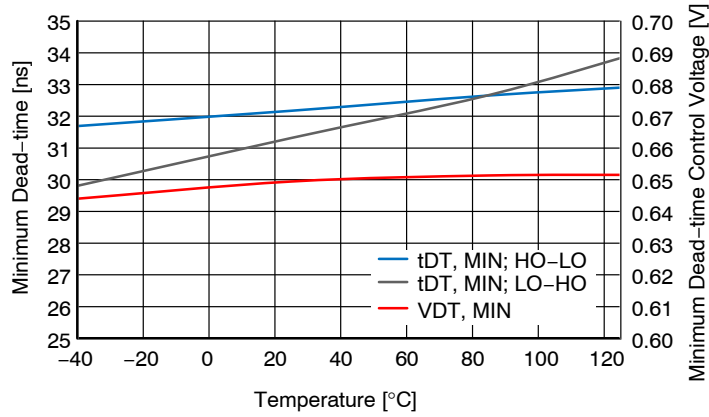
# NCP51810



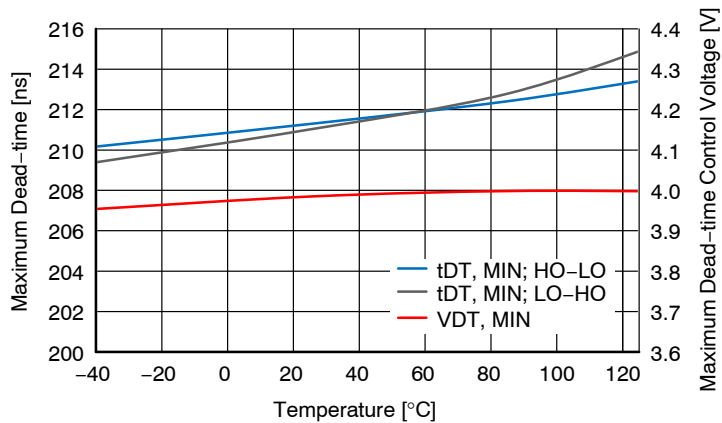
**Figure 21. Propagation Delay Matching (HIN to HO, LIN to LO) vs. Temperature**



**Figure 22. Dead-time Mismatch vs. Temperature**



**Figure 23. Minimum Dead-time ( $R_{DT} = 30\text{ k}\Omega$ ) vs. Temperature**



**Figure 24. Maximum Dead-time ( $R_{DT} = 200\text{ k}\Omega$ ) vs. Temperature**

**APPLICATIONS INFORMATION**

The NCP51810 can be quickly configured by following the steps outlined in this section. The component references made throughout this section refer to the schematic diagram and reference designations shown in Figure 25.

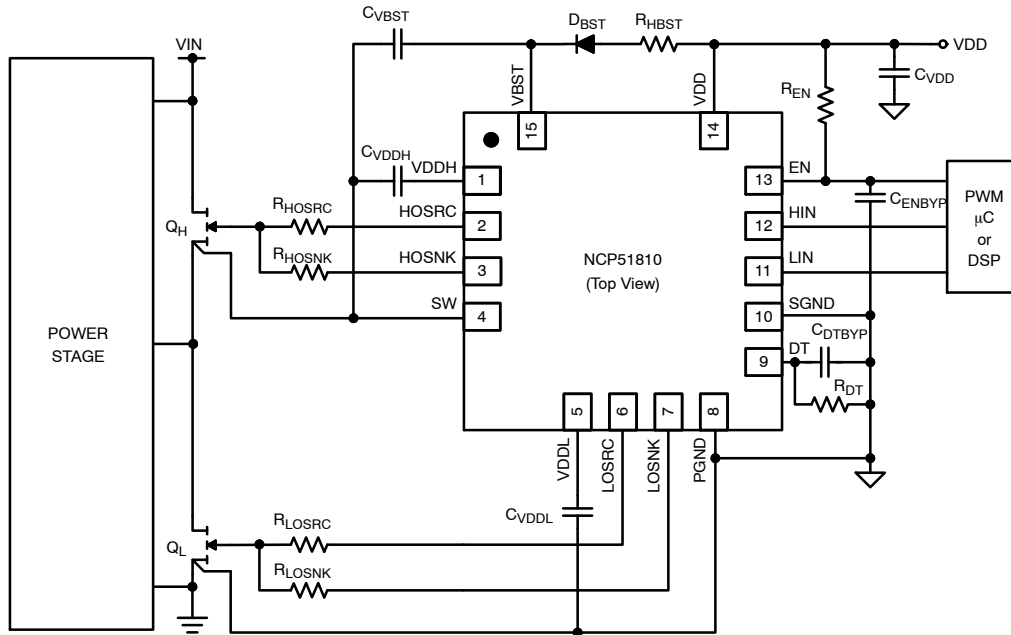


Figure 25. Application Schematic, Half-Bridge Example (Kelvin Gate Return Connections Shown)

**DETAILED PIN FUNCTIONALITY**

**Bias Supply Voltage (VDD)**

A dc voltage applied to VDD provides bias for the digital inputs, internal logic functions, high-side floating bootstrap (VBST) bias supplying the internal high-side regulator (VDDH) as well as providing bias directly to the internal low-side regulator (VDDL). Because the GaN FETs receive source current locally through the dedicated internal regulators, a single VDD bypass capacitor, CVDD, is all that's required, connected directly between the VDD and SGND pins. The CVDD capacitor should be a ceramic bypass capacitor > 100 nF, located as close as possible to the VDD and SGND pins to properly filter out all glitches while switching. Under voltage lockout (UVLO) is important for protecting the GaN FETs and power stage. The NCP51810 includes UVLO thresholds of VDDUV+ > 8.5 V, ON and VDDUV- < 8 V, OFF, making it well suited for +12 V bias rails.

**High-Side Bootstrap Voltage (VBST)**

Three components make up the high side bootstrap voltage bias serving as the input to the VDDH regulator. The bootstrap current limiting resistor and diode, RHBST and DBST, series connected between the VDD and VBST pins and the bootstrap capacitor, CVBST, connected directly Switch node between VBST and (SW) pins. The VBST voltage is input to an internal LDO which produces the VDDH voltage. The LDO has a dropout voltage of 6 V. No high side pulses are produced when the voltage on VBST pin

is below 6 V. A large value for CVBST means the bootstrap capacitor will take longer to fully charge as also determined by the on-time of the low-side GaN. Neglecting the effects of parasitic inductance, the minimum value bootstrap capacitor can be approximated as:

$$C_{BST} = \frac{Q_G}{\Delta V_{BST}} \quad \text{(eq. 1)}$$

Where:

- QG = total gate charge required by GaN
- $\Delta V_{BST} = VDD - V_{PP} - V_F > 6 V$
- VPP = allowable VBST droop voltage (typically less than 10% of VDD)
- VF = DBST forward voltage drop

Choose a low ESR and ESL ceramic capacitor with a voltage rating of twice the applied voltage (2 x ΔVBST). Once the bootstrap capacitor is selected, the peak charging current can be determined by knowing the frequency and duty cycle of the low-side gate drive.

$$I_{PK} = C_{BST} \times \frac{dV}{dt} = C_{BST} \times \frac{\Delta V_{BST} \times F_{SW}}{D_{MAX}} \quad \text{(eq. 2)}$$

Where:

- DMAX = Max duty cycle of low-side gate drive
- Fsw = Switching frequency

The bootstrap diode,  $D_{BST}$ , needs to have a voltage rating greater than  $V_{IN}$ , should be high-speed (low reverse recovery), should be low current and should have very low junction capacitance. Diode junction capacitance,  $C_J$ , can become more problematic due to the high  $dV/dt$  that can appear across the GaN  $V_{DS}$ . A Schottky diode rated for at least 150 V is recommended. Symptoms of high  $dV/dt$  switching can be mitigated by using a Kelvin source return to SW, as shown in Figure 25.

The purpose of the bootstrap resistor,  $R_{BST}$ , is to limit peak  $C_{BST}$  charging current,  $I_{PK}$ , especially during startup. A small resistor may not limit the peak current enough, resulting in excessive ringing which can cause jitter in the high-side gate drive and/or EMI problems. A large resistor will dissipate more power and create a longer RC time constant causing a longer start-up time. A bootstrap resistor in the range of  $1 \Omega < R_{BST} < 10 \Omega$  is usually sufficient.

### High-Side Linear Regulator (VDDH)

The NCP51810 includes an internal linear regulator dedicated to providing a tightly regulated, 5.2 V gate drive amplitude signal to the high-side GaN FET. The VDDH regulator appears after the bootstrap, providing the most direct interface to the high-side GaN FET. This assures the lowest possible parasitic capacitance, required for meeting high-speed switching requirements of GaN. The VDDH regulator is referenced between VDDH and the SW pins and can float between a common mode voltage range of  $-3.5$  V up to 150 V. Source current for the high-side GaN FET is provided from the charge stored in  $C_{VDDH}$  connected between VDDH and SW. The value of the  $C_{VDDH}$  capacitor is a function of the gate charge requirement of the GaN FET. The VDDH regulator also includes dedicated UVLO thresholds of  $V_{UVTH\_VDDH+} > 4.5$  V, ON and  $V_{UVTH\_VDDH-} < 4.3$  V, OFF.

### Switch Node (SW)

The SW pin serves as the high-side, gate drive, return reference. As shown in Figure 2, the high-side level shifter, drive logic, PMOS sink and VDDH regulator are referenced to SW. For GaN FETs that include a source Kelvin return, a direct connection should be made from SW to the GaN FET Kelvin return.  $C_{VDDH}$  and  $C_{BST}$  should then be referenced to the SW pin but separate from the power stage switch node as shown in Figure 25. For GaN FETs that do not include a dedicated source Kelvin pin, best practice PCB layout techniques should be used to isolate the gate drive return current from the power stage, switch node current. Please refer to document [AND9932](#), for NCP51810 and high-speed GaN, PCB layout tips.

### Low-Side Linear Regulator (VDDL)

The NCP51810 includes an internal linear regulator dedicated to providing a tightly regulated, 5.2 V gate drive amplitude signal to the low-side GaN FET. The VDDL regulator is fed directly from VDD, providing the most direct interface to the low-side GaN FET. This assures the

lowest possible parasitic capacitance, required for meeting high-speed switching requirements of GaN. The VDDL regulator is referenced between VDDL and the power ground (PGND) pins and is capable of operating from common mode voltage range between  $-3.5$  V to  $+3.5$  V. Source current for the low-side GaN FET is provided from the charge stored in the  $C_{VDDL}$  connected between VDDL and PGND. The value of the  $C_{VDDL}$  capacitor is a function of the gate charge requirement of the low-side GaN FET. The VDDL regulator also includes dedicated UVLO thresholds of  $V_{UVTH\_VDDL+} > 4.5$  V, ON and  $V_{UVTH\_VDDL-} < 4.3$  V, OFF.

### Signal Ground (SGND) and Power Ground (PGND)

SGND is the GND for all internal control logic and digital inputs. Internally, the SGND and PGND pins are isolated from each other.

PGND serves as the low-side, gate drive, return reference. As shown in Figure 2, the low-side level shifter, drive logic, PMOS sink and VDDL regulator are referenced to PGND. For GaN FETs that include a source Kelvin return, a direct connection should be made from PGND to the GaN FET Kelvin return.  $C_{VDDL}$  should then be referenced to the PGND but separate from the power stage ground as shown in Figure 25. For GaN FETs that do not include a dedicated source Kelvin pin, best practice PCB layout techniques should be used to isolate the gate drive return current from the power stage, ground return current. Please refer to document [AND9932](#), for NCP51810 and high-speed GaN, PCB layout tips.

For half-bridge power topologies or any applications using a current sense transformer, SGND and PGND must be connected together on the PCB. In such applications, it is recommended to connect the SGND and PGND pins together with a short, low-impedance trace on the PCB as close to the NCP51810 as possible. Directly beneath the NCP51810 is an ideal way to make the SGND to PGND connection.

For low-power applications, such as the active-clamp flyback or forward shown in Figure 26, a current sensing resistor,  $R_{CS}$ , located in the low-side GaN FET source leg is commonly used. In such applications, the NCP51810 PGND and SGND pins must not be connected on the PCB because  $R_{CS}$  would essentially be shorted through this connection. The NCP51810 low-side drive circuit is able to withstand  $-3.5$  V to  $+3.5$  V of common mode voltage. Since most current sense voltage signals are less than 1 V, the low-side drive stage can easily “float” above the voltage,  $V_{RCS}$ , generated by the current sense. For the active clamp example in Figure 26, the entire low-side gate drive, shown in the shaded box, is floating above  $V_{RCS}$ . This is important because it ensures no loss of gate drive amplitude so the full 5.2 V, VDDL voltage appears at the low-side GaN FET gate-source terminals. A low impedance current sense resistor is recommended. Please refer to document [AND9932](#), for NCP51810 and high-speed GaN, PCB layout tips.

# NCP51810

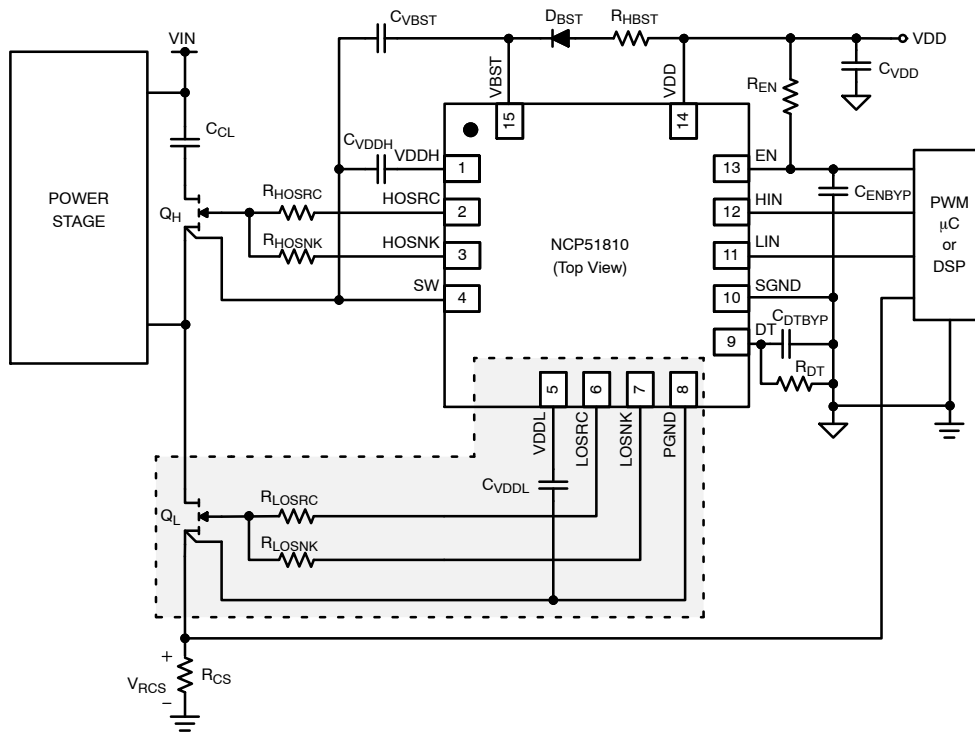


Figure 26. Application Schematic, Active Clamp, Low-Side, Floating Gate Drive Example

## Input (HIN, LIN)

Both independent PWM inputs are Schmitt trigger, Transistor-Transistor Logic (TTL) compatible and are internally pulled low to SGND such that each corresponding driver input is defaulted to the inactive (disabled) state. The TTL input thresholds provide buffer and logic level translation functions capable of operating from a variety of PWM signals up to VDD of the NCP51810. TTL levels permit the inputs to be driven from a range of input logic signal levels for which a voltage greater than 2.5 V maximum is considered logic high. Both input thresholds meet industry-standard, TTL-logic defined thresholds and are therefore independent of VDD voltage. A typical hysteresis voltage of 0.5 V is specified for each driver input. For optimal high-speed switching performance, the driving signal for the TTL inputs should have fast rising and falling edges with a slew rate of 6 V/ $\mu$ s or faster, so a rise time from 0 to 3.3 V should be 550 ns or less.

## Enable (EN)

Enable (EN) is internally pulled low to SGND so the driver is always defaulted to a disabled output status. Similar to HIN and LIN, EN is a Schmitt trigger TTL compatible input. Pulling the EN pin above 2.5 V maximum, enables the outputs, placing the NCP51810 into an active ready state. Due to the nature of high-speed switching associated with GaN power stages, and for improved noise immunity, it is recommended to connect the EN pin to VDD through a 1 k $\Omega$  (or less) pull-up resistor. For applications where the EN pin is actively controlled, the EN pin can be driven direct but should be bypassed with a 10 nF decoupling capacitor. As shown in Figure 27, if EN is pulled low during normal operation, the driver outputs are immediately disabled, even terminating an active HIN or LIN pulse mid-cycle during the on-time. When EN is toggled high, during normal operation, a cycle-by-cycle, edge-triggered logic function is employed to prevent shortened, erroneous control pulses from being processed by the output. This behavior is highlighted in Figure 27, where EN transitions high at the same time the HIN (or LIN) input pulse is high. In this way, the NCP51810 is intelligent by waiting until the next rising edge to process the full input signal to the output driver stage.

# NCP51810

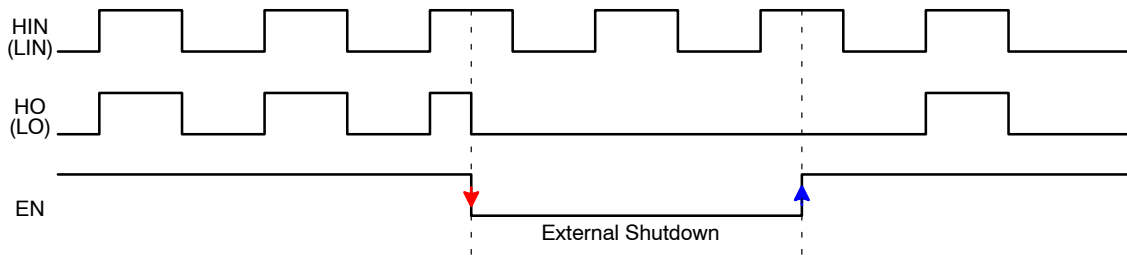


Figure 27. Timing Chart of Enable Function

## Dead-Time Control (DT)

Accurately ensuring some minimal amount of dead-time between the high-side and low-side gate drive output signals is critical for safe, reliable optimized operation of any high-speed, half-bridge power stage. The DT should be bypassed with a 100 nF ( $C_{DTBYP}$ ) ceramic capacitor placed closest to the pin and directly between DT and SGND. If used, the  $R_{DT}$  resistor should then be placed directly in parallel with  $C_{DTBYP}$ . The NCP51810 offers four unique mode settings to utilize dead-time in such a way to be fully compatible with any control algorithm.

### MODE A:

Connect DT to SGND; When the DT pin voltage,  $V_{DT}$ , is less than 0.5 V typical ( $R_{DT} = 0 \Omega$ ), the DT programmability is disabled and fixed dead-time, anti-cross-conduction protection is enabled. If HIN and LIN are overlapping by X ns, then X ns of dead-time is automatically inserted. Conversely, if HIN and LIN have greater than 0 ns of dead-time, then the dead-time is not modified by the NCP51810 and is passed through to the output stage as defined by the controller. This type of dead-time control is preferred when the controller will be making the necessary dead-time adjustments but needs to rely on the NCP51810 dead-time control function for anti-cross-conduction protection.

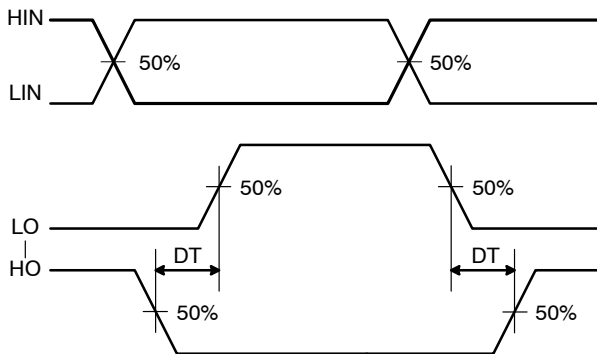


Figure 28. Internal Dead-Time Definitions

### MODE B:

Connect a  $25 \text{ k}\Omega < R_{DT} < 200 \text{ k}\Omega$  Resistor from DT to SGND; Dead-time is programmable by a single resistor connected between the DT and SGND pins. The amount of desired dead-time can be programmed via the dead-time resistor,  $R_{DT}$ , between the range of  $25 \text{ k}\Omega < R_{DT} < 200 \text{ k}\Omega$  to obtain an equivalent dead-time, proportional to  $R_{DT}$ , in the range of  $25 \text{ ns} < t_{DT} < 200 \text{ ns}$ . If either edge between HIN and LIN result in a dead-time less than the amount set by  $R_{DT}$ , the set DT value shall be dominant. If either edge between HIN and LIN result in a dead-time greater than the amount set by  $R_{DT}$ , the controller dead-time shall be dominant. The control voltage range,  $V_{DT}$ , for  $R_{DT}$  is  $0.5 \text{ V} < V_{DT} < 4 \text{ V}$ . DT programmability is summarized and shown graphically in Figure 29.

### MODE C:

Connect a 249 k $\Omega$  Resistor from DT to SGND; Connect a 249 k $\Omega$  resistor between DT and SGND to program the maximum dead-time value of 200 ns. The control voltage range,  $V_{DT}$ , for assuring  $t_{DT} = 200 \text{ ns}$  is  $4 \text{ V} < V_{DT} < 5 \text{ V}$ . DT programmability is summarized and shown graphically in Figure 29.

### MODE D:

Connect DT to VDD; When the DT pin voltage,  $V_{DT}$ , is greater than 6 V (pulled up to VDD through 10 k $\Omega$  resistor), anti-cross-conduction protection is disabled, allowing the output signals to overlap. This operating mode is suitable for applications where it is desired to have both driver output stages switching simultaneously. If choosing this operating mode while driving a half-bridge power stage, extreme caution should be taken, as cross conduction can potentially damage power components if not accounted for. This type of dead-time control is preferred when the controller will be making extremely accurate dead-time adjustments and can respond to the potential of over-current faults on a cycle-by-cycle basis. DT programmability is summarized and shown graphically in Figure 29.

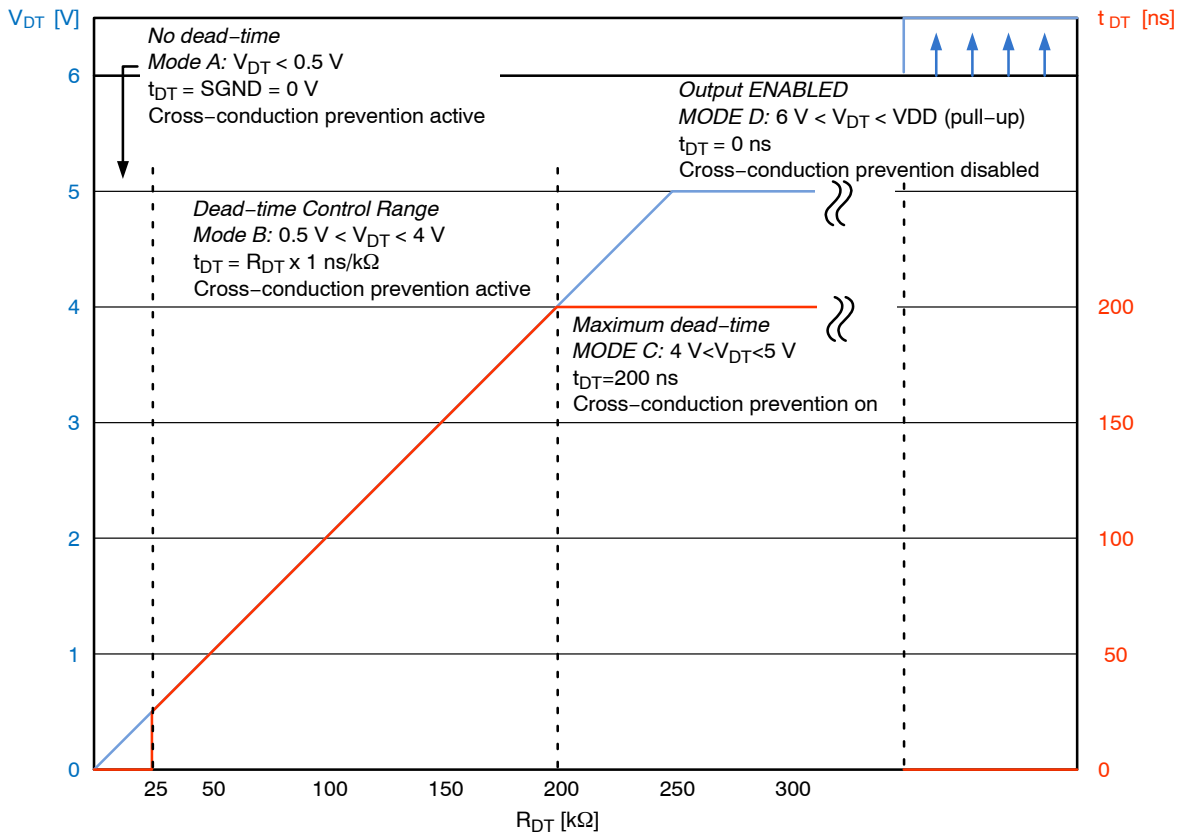


Figure 29. Dead-Time Control,  $t_{DT}$ ,  $V_{DT}$  vs  $R_{DT}$

**High-Side Output (HOSRC and HOSNK)**

The NCP51810 high-side drive stage is level shifted from HIN and SGND and referenced to SW and can withstand a common mode voltage range from -3.5 V to +150 V. HOSRC and HOSNK outputs are driven by a pure MOS, low-impedance totem pole output stage to ensure tightly regulated, low stray capacitance, full VDDH switching. The output slew rate is determined primarily by VDDH and the  $Q_G$  of the high-side GaN FET. The turn-on (HOSRC) and turn-off (HOSNK) functions each have dedicated pins. This allows a single resistor between each pin and the high-side GaN FET gate to independently control gate ringing as well as fine tuning  $dV_{DS}/dt$  turn-on and turn-off transitions present on the GaN drain-source voltage. The driver provides the high peak currents necessary for high-speed switching, even at the Miller plateau voltage. The outputs of the NCP51810 are rated to 1 A peak current source (HOSRC) and 2 A sink (HOSNK).

**Low-Side Output (LOSRC and LOSNK)**

The NCP51810 low-side drive stage is level shifted from LIN and SGND and referenced to PGND and can withstand a common mode voltage range from -3.5 V to +3.5 V. LOSRC and LOSNK outputs are driven by a pure MOS, low-impedance totem pole output stage to ensure tightly regulated, low stray capacitance, full VDDL switching. The

output slew rate is determined primarily by VDDL and the  $Q_G$  of the low-side GaN FET. The turn-on (LOSRC) and turn-off (LOSNK) functions each have dedicated pins. This allows a single resistor between each pin and the low-side GaN FET gate to independently control gate ringing as well as fine tuning  $dV_{DS}/dt$  turn-on and turn-off transitions present on the GaN drain-source voltage. The driver provides the high peak currents necessary for high-speed switching, even at the Miller plateau voltage. The outputs of the NCP51810 are rated to 1 A peak current source (LOSRC) and 2 A sink (LOSNK). The high-side and low-side drive stage can be thought of as two independent floating driver channels. Both driver output channels are perfectly suited for driving the latest generation HEMT GaN FETs voltage controlled devices requiring tightly regulated gate drive signals.

**Input to Output Protection Functions**

Figure 30 graphically summarizes the input to output protection functions for the following three cases:

*Case A:*

External shutdown due to EN pulled low. Outputs are immediately terminated when EN is pulled low. The second rising edge of either HIN or LIN is processed to the output when EN is pulled high.



# NCP51810

## Case B:

UVLO protection event during shutdown and start-up. Crossing the UVLO ON and OFF thresholds has the same effect as EN, where outputs are immediately terminated when UVLO OFF is reached. The second rising edge of either HIN or LIN is processed to the output when UVLO ON is reached.

## Case C:

Anti-cross-conduction, shoot-through protection. As described in the DT section [MODE A](#), when the DT pin is connected SGND, any amount of HIN to LIN overlap is translated to HO to LO dead-time.

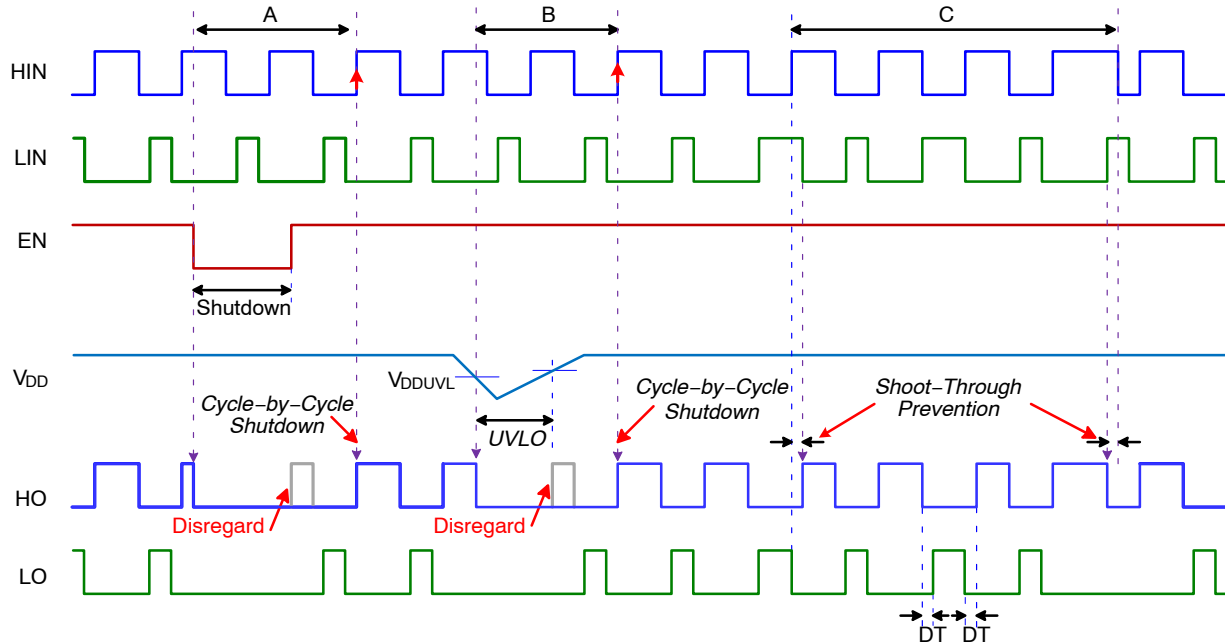


Figure 30. Protection Functions, Timing Diagram

## PCB LAYOUT

When beginning a PCB design using GaN FETs, the best layout procedure is one that is priority-driven as listed below. Each of these “summary” comments are highlighted in more detail with clarifying diagrams in document [AND9932](#), NCP51810 and high-speed GaN, PCB layout tips.

1. Multi-layer PCB designs with proper use of ground/return planes as described in this document are a must. High frequency, high dV/dt and high di/dt all warrant the need for a multi-layer, PCB design approach. Inexpensive, single-layer, PCB designs do not allow for proper routing or design of ground planes necessary to realize the full benefits of a GaN based power stage.
2. Begin by placing the most noise sensitive components near the NCP51810 first. VDD, VDDH, VDDL, EN and DT bypass capacitors as well as the VBST capacitor, resistor and diode should be placed as close to their respective pins as possible.
3. Place the DT resistor directly next to  $C_{DTBYP}$  and the DT and SGND pins.
4. Place the HO and LO, source and sink gate drive resistors as close to the GaN FETs as possible.

5. Move the NCP51810 and associated components close to the GaN FET source and sink resistors.
6. If possible, arrange the GaN FETs in a “staggered” pattern with the goal of maintaining the HO and LO gate drive lengths as closely matched as possible. To avoid high current and high dV/dt through vias, it is preferred that both GaN FETs be located on the same side of the PCB as the NCP51810.
7. The HO and LO gate drives should be considered as two independent gate drive circuits that are electrically isolated from each other. HO and LO will therefore each require dedicated copper land return planes on layer 2 directly beneath layer 1 gate drive routing.

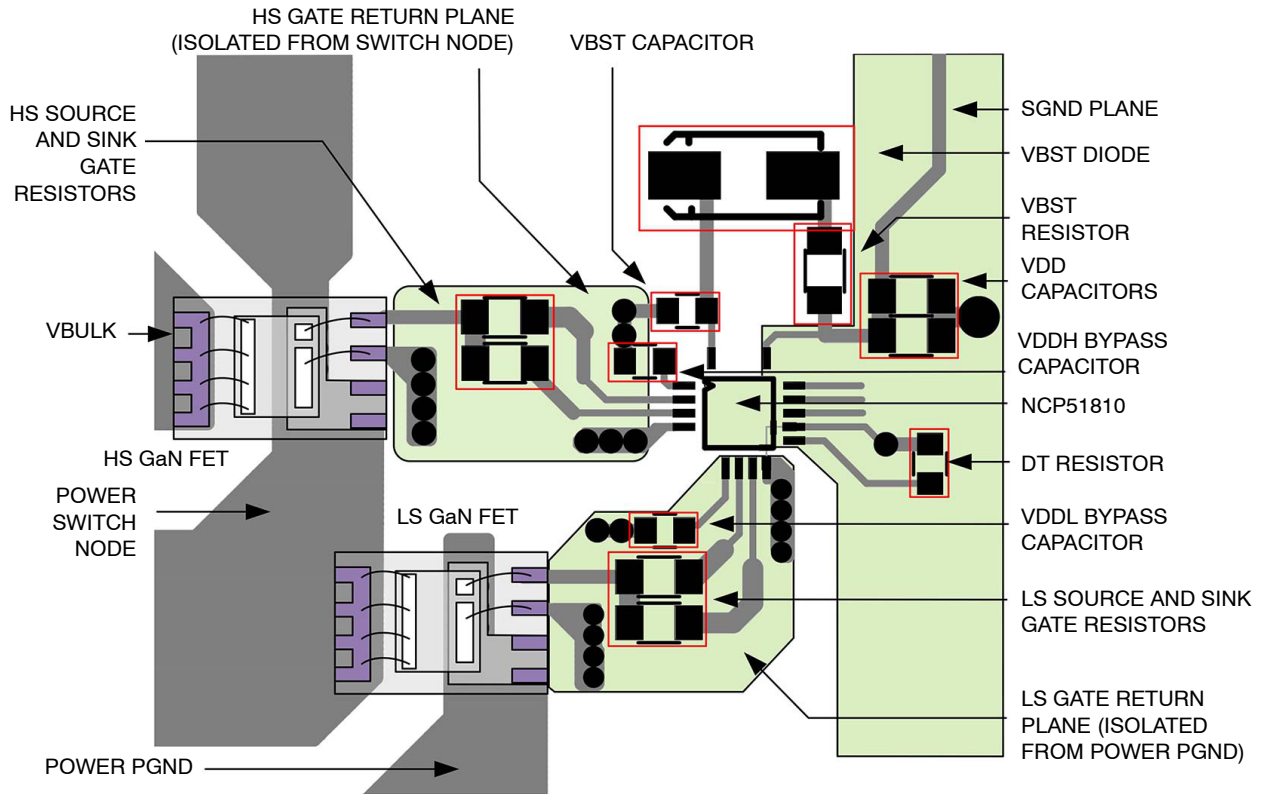
Proper routing of the power loop, switch-node, gate drive loops and use of planes are critical for a successful GaN PCB design. For the gate drives, proper routing and noise isolation will help reduce additional parasitic loop inductance, noise injection, ringing, gate oscillations and inadvertent turn-on. The goal is to design a high frequency, power PCB that is thoughtful with regard to proper grounding while maintaining controlled current flow through direct pathway connections with minimal loop distances.



**COMPONENT PLACEMENT AND ROUTING**

The diagram shown in Figure 31 highlights the critical component placement around the NCP51810 and the interface to the HS and LS GaN FETs. The strategic placement of critical components around the NCP51810,

use of dedicated ground and return planes, Kelvin source connections and direct gate drive routing are discussed in detail in document [AND9932](#), NCP51810 and high-speed GaN, PCB layout tips.



**Figure 31. NCP51810 Component Placement**

**Thermal Guidelines**

High-speed, gate drivers used to switch GaN FETs at high frequencies can dissipate significant amounts of power. It is important to determine the driver power dissipation and the resulting junction temperature in the application to ensure the IC is operating within acceptable temperature limits.

The total power dissipation in a gate driver is the sum of two components,  $P_{GATE}$  and  $P_{DYNAMIC}$ :

$$P_{TOTAL} = 2 \times P_{GATE} + P_{DYNAMIC} \quad (eq. 3)$$

**Gate Driving Loss:** The most significant power loss results from supplying gate current (charge per unit time) to switch the GaN FETs on and off at the switching frequency. The power dissipation that results from driving a GaN FET with a specified gate-source voltage,  $V_{GS}$ , with gate charge,  $Q_G$ , at switching frequency,  $F_{SW}$ , is determined by:

$$P_{GATE} = Q_G \times V_{GS} \times F_{SW} \quad (eq. 4)$$

This needs to be calculated for the high-side and low-side GaN FETs where the  $Q_G$  can possibly be different if the devices are not the same

**Dynamic Predrive / Shoot-through Current:** Power loss resulting from internal current consumption under dynamic operating conditions can be obtained using the “ $I_{PDD}$  vs. Frequency” graphs in Figure 5 and Figure 6 to determine the current,  $I_{PDD}$  flowing from  $V_{DD}$  under actual operating conditions.

$$P_{DYNAMIC} = I_{PDD} \times V_{DD} \quad (eq. 5)$$

Once the power dissipated in the driver is determined, the driver junction temperature rise with respect to the PCB can be evaluated using the thermal equation, given below:

$$T_J = (P_{TOTAL} \times \theta_{JA}) + T_B \quad (eq. 6)$$

Where:

- $T_J$  = driver junction temperature
- $\theta_{JA}$  = thermal characterization parameter relating temperature rise to total power dissipation
- $T_B$  = board temperature in location defined

## NCP51810

As an example, consider an application driving two GaN FETs with a gate charge of 5 nC each with  $V_{DD} = 12\text{ V}$  ( $V_{DDH} = V_{DDL} = 5.2\text{ V}$ ). At a switching frequency of 500 kHz, the total power dissipation is:

$$P_{\text{GATE}} = 5\text{ nC} \times 5.2\text{ V} \times 500\text{ kHz} \times 2 = 26\text{ mW} \quad (\text{eq. 7})$$

$$P_{\text{DYNAMIC}} = 4\text{ mA} \times 12\text{ V} = 48\text{ mW} \quad (\text{eq. 8})$$

$$P_{\text{TOTAL}} = 74\text{ mW} \quad (\text{eq. 9})$$

The QFN15 4x4 package has a junction-to-ambient thermal characterization parameter of  $\theta_{JA} = 245^\circ\text{C/W}$ . In a system application, the localized temperature around the device is a function of the layout and construction of the PCB along with airflow across the surfaces. To ensure

reliable operation, the maximum junction temperature of the device must not exceed the absolute maximum rating of  $150^\circ\text{C}$ ; with 80% derating,  $T_J$  would be limited to  $120^\circ\text{C}$ . Rearranging Equation 6 determines the board temperature required to maintain the junction temperature below  $120^\circ\text{C}$ :

$$T_B = T_J - (P_{\text{TOTAL}} \times \theta_{JA}) \quad (\text{eq. 10})$$

$$T_B \leq 120^\circ\text{C} - (74\text{ mW} \times 245^\circ\text{C/W}) = 102^\circ\text{C} \quad (\text{eq. 11})$$

Similarly, eq. 6 can be used to calculate the junction temperature (operating near room temperature) as:

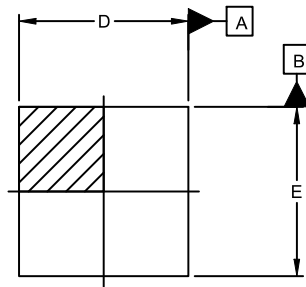
$$T_J = (74\text{ mW} \times 245^\circ\text{C/W}) + 25^\circ\text{C} \quad (\text{eq. 12})$$

$$T_J = 43.13^\circ\text{C} \quad (\text{eq. 13})$$

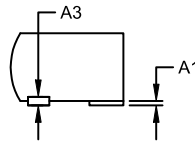


**QFN15 4x4, 0.5P**  
**CASE 485FN**  
**ISSUE B**

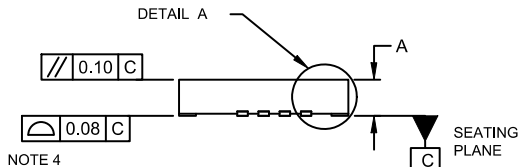
DATE 24 JUL 2019



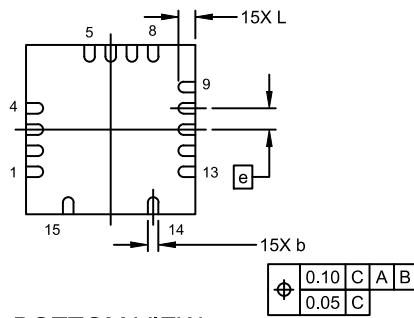
TOP VIEW



DETAIL A

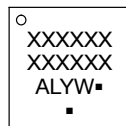


SIDE VIEW



BOTTOM VIEW

**GENERIC MARKING DIAGRAM\***



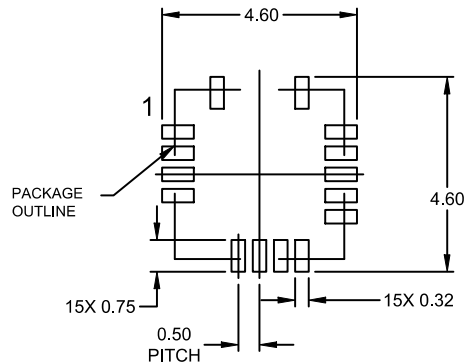
XXXXXX = Specific Device Code  
 A = Assembly Location  
 L = Wafer Lot  
 Y = Year  
 W = Work Week  
 ■ = Pb-Free Package

(Note: Microdot may be in either location)

NOTES:

1. DIMENSIONING AND TOLERANCING PER ASME Y14.5M, 1994.
2. CONTROLLING DIMENSION: MILLIMETERS
3. DIMENSION b APPLIES TO THE PLATED TERMINAL AND IS MEASURED BETWEEN 0.15 AND 0.30 FROM THE TERMINAL TIP.
4. COPLANARITY APPLIES TO THE EXPOSED PAD AS WELL AS THE TERMINALS.

DIM	MILLIMETERS		
	MIN.	NOM.	MAX.
A	0.80	0.85	0.90
A1	0.00	--	0.05
A3	0.10 REF		
b	0.20	0.25	0.30
D	3.95	4.00	4.05
E	3.95	4.00	4.05
e	0.50 BSC		
L	0.30	0.40	0.50



**RECOMMENDED MOUNTING FOOTPRINT**

\* For additional information on our Pb-Free strategy and soldering details, please download the ON Semiconductor Soldering and Mounting Techniques Reference Manual, SOLDERRM/D.

\*This information is generic. Please refer to device data sheet for actual part marking. Pb-Free indicator, "G" or microdot "■", may or may not be present. Some products may not follow the Generic Marking.

<b>DOCUMENT NUMBER:</b>	<b>98AON81104G</b>	Electronic versions are uncontrolled except when accessed directly from the Document Repository. Printed versions are uncontrolled except when stamped "CONTROLLED COPY" in red.
<b>DESCRIPTION:</b>	<b>QFN15 4x4, 0.5P</b>	<b>PAGE 1 OF 1</b>

ON Semiconductor and ON are trademarks of Semiconductor Components Industries, LLC dba ON Semiconductor or its subsidiaries in the United States and/or other countries. ON Semiconductor reserves the right to make changes without further notice to any products herein. ON Semiconductor makes no warranty, representation or guarantee regarding the suitability of its products for any particular purpose, nor does ON Semiconductor assume any liability arising out of the application or use of any product or circuit, and specifically disclaims any and all liability, including without limitation special, consequential or incidental damages. ON Semiconductor does not convey any license under its patent rights nor the rights of others.

**onsemi**, **Onsemi**, and other names, marks, and brands are registered and/or common law trademarks of Semiconductor Components Industries, LLC dba "**onsemi**" or its affiliates and/or subsidiaries in the United States and/or other countries. **onsemi** owns the rights to a number of patents, trademarks, copyrights, trade secrets, and other intellectual property. A listing of **onsemi**'s product/patent coverage may be accessed at [www.onsemi.com/site/pdf/Patent-Marking.pdf](http://www.onsemi.com/site/pdf/Patent-Marking.pdf). **onsemi** reserves the right to make changes at any time to any products or information herein, without notice. The information herein is provided "as-is" and **onsemi** makes no warranty, representation or guarantee regarding the accuracy of the information, product features, availability, functionality, or suitability of its products for any particular purpose, nor does **onsemi** assume any liability arising out of the application or use of any product or circuit, and specifically disclaims any and all liability, including without limitation special, consequential or incidental damages. Buyer is responsible for its products and applications using **onsemi** products, including compliance with all laws, regulations and safety requirements or standards, regardless of any support or applications information provided by **onsemi**. "Typical" parameters which may be provided in **onsemi** data sheets and/or specifications can and do vary in different applications and actual performance may vary over time. All operating parameters, including "Typicals" must be validated for each customer application by customer's technical experts. **onsemi** does not convey any license under any of its intellectual property rights nor the rights of others. **onsemi** products are not designed, intended, or authorized for use as a critical component in life support systems or any FDA Class 3 medical devices or medical devices with a same or similar classification in a foreign jurisdiction or any devices intended for implantation in the human body. Should Buyer purchase or use **onsemi** products for any such unintended or unauthorized application, Buyer shall indemnify and hold **onsemi** and its officers, employees, subsidiaries, affiliates, and distributors harmless against all claims, costs, damages, and expenses, and reasonable attorney fees arising out of, directly or indirectly, any claim of personal injury or death associated with such unintended or unauthorized use, even if such claim alleges that **onsemi** was negligent regarding the design or manufacture of the part. **onsemi** is an Equal Opportunity/Affirmative Action Employer. This literature is subject to all applicable copyright laws and is not for resale in any manner.

## ADDITIONAL INFORMATION

### TECHNICAL PUBLICATIONS:

Technical Library: [www.onsemi.com/design/resources/technical-documentation](http://www.onsemi.com/design/resources/technical-documentation)  
onsemi Website: [www.onsemi.com](http://www.onsemi.com)

### ONLINE SUPPORT: [www.onsemi.com/support](http://www.onsemi.com/support)

For additional information, please contact your local Sales Representative at [www.onsemi.com/support/sales](http://www.onsemi.com/support/sales)