

# ON Semiconductor

## Is Now

# onsemi™

To learn more about onsemi™, please visit our website at  
[www.onsemi.com](http://www.onsemi.com)

---

**onsemi** and **onsemi** and other names, marks, and brands are registered and/or common law trademarks of Semiconductor Components Industries, LLC dba "**onsemi**" or its affiliates and/or subsidiaries in the United States and/or other countries. **onsemi** owns the rights to a number of patents, trademarks, copyrights, trade secrets, and other intellectual property. A listing of **onsemi** product/patent coverage may be accessed at [www.onsemi.com/site/pdf/Patent-Marking.pdf](http://www.onsemi.com/site/pdf/Patent-Marking.pdf). **onsemi** reserves the right to make changes at any time to any products or information herein, without notice. The information herein is provided "as-is" and **onsemi** makes no warranty, representation or guarantee regarding the accuracy of the information, product features, availability, functionality, or suitability of its products for any particular purpose, nor does **onsemi** assume any liability arising out of the application or use of any product or circuit, and specifically disclaims any and all liability, including without limitation special, consequential or incidental damages. Buyer is responsible for its products and applications using **onsemi** products, including compliance with all laws, regulations and safety requirements or standards, regardless of any support or applications information provided by **onsemi**. "Typical" parameters which may be provided in **onsemi** data sheets and/or specifications can and do vary in different applications and actual performance may vary over time. All operating parameters, including "Typicals" must be validated for each customer application by customer's technical experts. **onsemi** does not convey any license under any of its intellectual property rights nor the rights of others. **onsemi** products are not designed, intended, or authorized for use as a critical component in life support systems or any FDA Class 3 medical devices or medical devices with a same or similar classification in a foreign jurisdiction or any devices intended for implantation in the human body. Should Buyer purchase or use **onsemi** products for any such unintended or unauthorized application, Buyer shall indemnify and hold **onsemi** and its officers, employees, subsidiaries, affiliates, and distributors harmless against all claims, costs, damages, and expenses, and reasonable attorney fees arising out of, directly or indirectly, any claim of personal injury or death associated with such unintended or unauthorized use, even if such claim alleges that **onsemi** was negligent regarding the design or manufacture of the part. **onsemi** is an Equal Opportunity/Affirmative Action Employer. This literature is subject to all applicable copyright laws and is not for resale in any manner. Other names and brands may be claimed as the property of others.

# Electronic Fuse, 3 to 12 V

## NIS6420

The NIS6420 is a cost effective, resettable fuse which can greatly enhance the reliability of a hard drive or other circuit from both catastrophic and shutdown failures.

It is designed to protect the downstream circuitry against an overcurrent event by limiting the current while protecting against high inrush current, as well as monitoring the load current in real time.

### Features

- 42 mΩ Typical
- Digital and Tristate Enable
- Integrated Reverse Current Protection
- Thermally Protected
- Integrated Soft–Start Circuit
- Internal Undervoltage Lockout Circuit
- Internal Charge Pump
- Load Current Monitor Pin
- ESD Ratings:
  - Human Body Model (HBM); 2000 V
  - Charged Device Model (CDM); 2000 V
  - Latch–Up; Class 1
- These Devices are Pb–Free and are RoHS Compliant

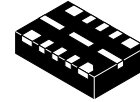
### Typical Applications

- Hard Drives
- Solid State Drives
- Mother Boards
- Industrial
- Handheld Devices
- Portable Instruments



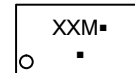
**ON Semiconductor®**

[www.onsemi.com](http://www.onsemi.com)



WQFN12  
CASE 510BM

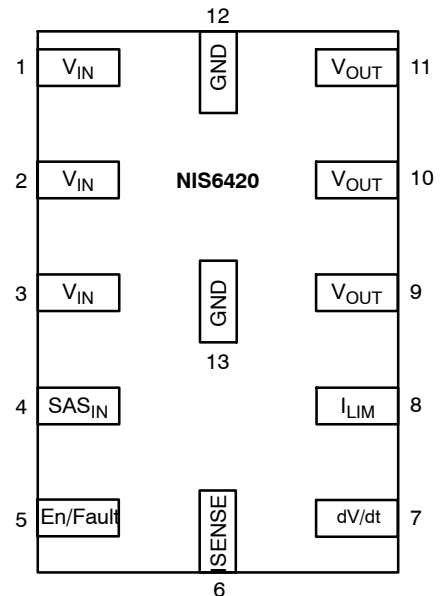
### MARKING DIAGRAM



XX = Specific Device Code  
M = Date Code  
▪ = Pb–Free Package

(Note: Microdot may be in either location)

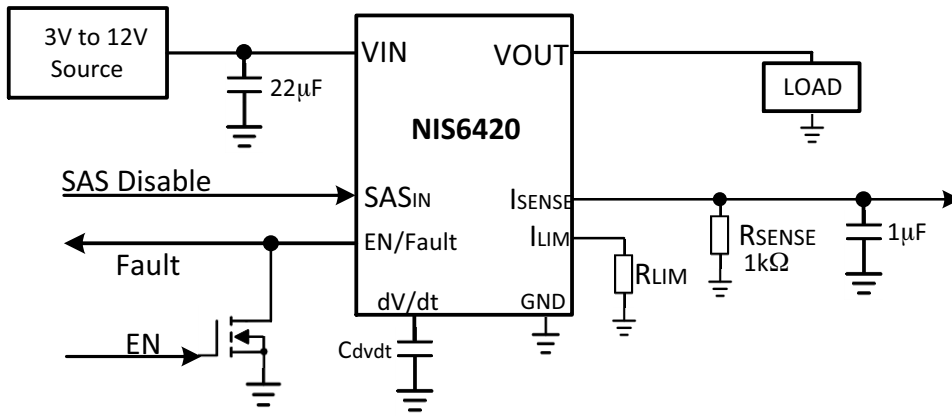
### PIN CONNECTIONS



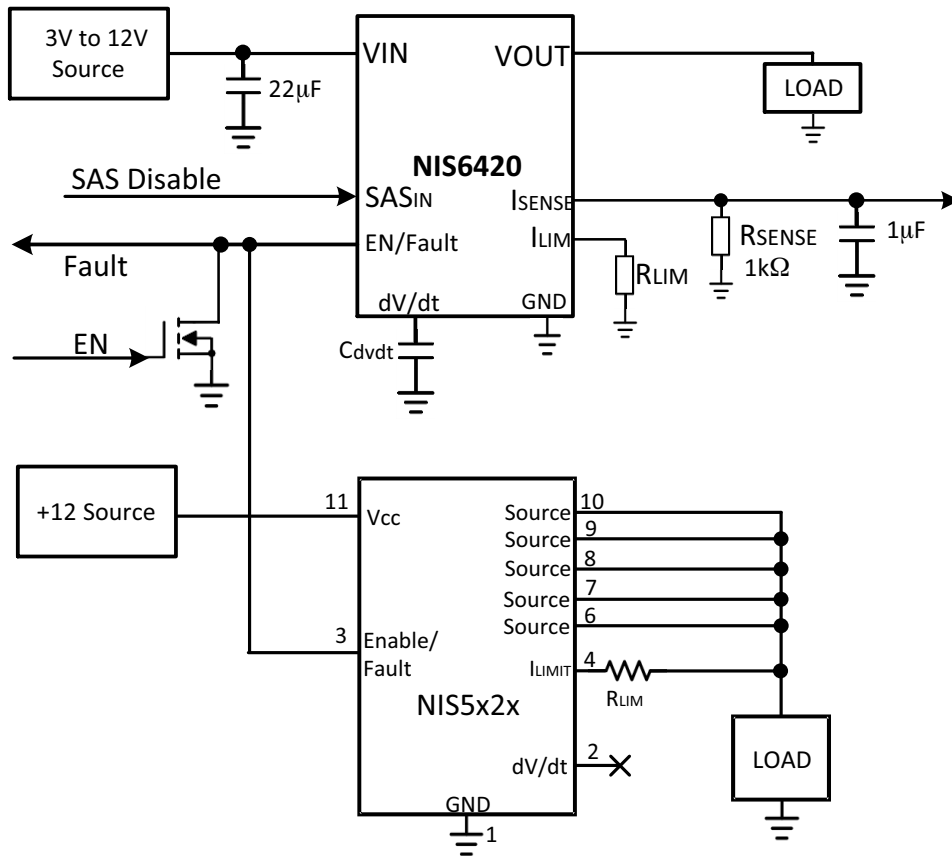
### ORDERING INFORMATION

See detailed ordering and shipping information on page 10 of this data sheet.

## NIS6420



**Figure 1. Typical Application Circuit**



**Figure 2. Common Thermal Shutdown with another eFuse**

# NIS6420

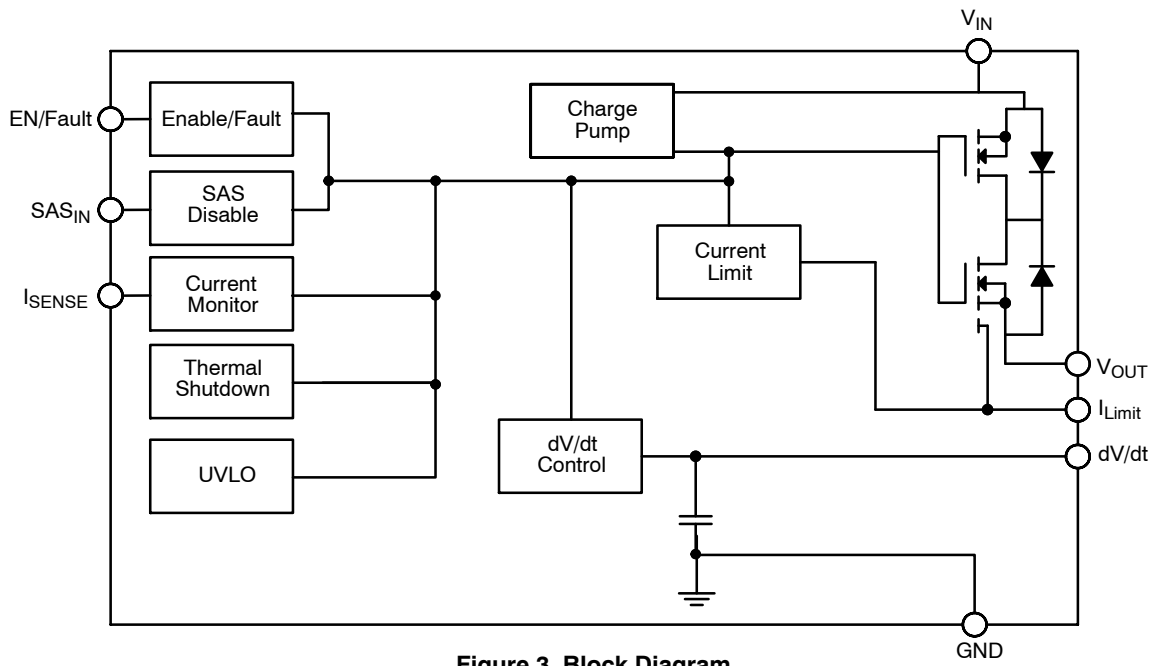


Figure 3. Block Diagram

# NIS6420

**Table 1. PIN FUNCTION DESCRIPTION**

| Pin No. | Pin Name           | Description   |
|---------|--------------------|---|
| 1,2,3   | V <sub>IN</sub>    | Positive input voltage to the device. Connect a 22 μF or greater capacitor to ground.   |
| 4       | SAS <sub>IN</sub>  | When this pin is pulled high the eFuse is turned off.   |
| 5       | EN/Fault           | This pin is a tri-state, bidirectional interface. It can be pulled to ground with an external open-drain or open collector device to shut down the eFuse. It can also be used as a status indicator; if the voltage level is intermediate (around 1.4 V), the eFuse is in thermal shutdown. If the voltage level is high (around 3 V) the eFuse is operating normally. Do not actively drive this pin to any voltage. Do not connect a capacitor to this pin. |
| 6       | I <sub>SENSE</sub> | Current Sense Pin. Connect a 1 kΩ 1% resistor and a 1 μF capacitor to ground.   |
| 7       | dV/dt              | The internal dV/dt circuit controls the slew rate of the output voltage at turn on.   |
| 8       | I <sub>LIM</sub>   | A resistor between this pin and the source pin sets the overload and short circuit current limit levels.  |
| 9,10,11 | V <sub>OUT</sub>   | Source of the internal power FET and the output terminal of the fuse  |
| 12,13   | GND                | Negative input voltage to the device. This is used as the internal reference for the IC.  |

**Table 2. MAXIMUM RATINGS**

| Rating  | Symbol          | Value       | Unit |
|---|-----------------|-------------|------|
| Input Voltage, operating, steady-state (V <sub>IN</sub> to GND)<br>Transient (100 ms) | V <sub>IN</sub> | -0.3 to +16 | V    |
|   |                 | -0.3 to +19 |      |
| Voltage range on EN/Fault pin   |                 | -0.3 to 6   | V    |
| Voltage range on SAS <sub>IN</sub> pin  |                 | -0.3 to 6   |      |

Stresses exceeding those listed in the Maximum Ratings table may damage the device. If any of these limits are exceeded, device functionality should not be assumed, damage may occur and reliability may be affected.

**Table 3. THERMAL RATINGS**

|  |                  |            |       |
|--|------------------|------------|-------|
| Thermal Resistance, Junction to Air<br>(4 layer High-K JEDEC JESD51-7 PCB, 100 mm <sup>2</sup> , 2 oz. Cu)             | θ <sub>JA</sub>  | 75         | °C/W  |
| Thermal Resistance, Junction-to-Lead<br>(4 layer High-K JEDEC JESD51-7 PCB, 100 mm <sup>2</sup> , 2 oz. Cu)            | Ψ <sub>J-L</sub> | 12         | °C/W  |
| Thermal Resistance, Junction-to-Board<br>(4 layer High-K JEDEC JESD51-7 PCB, 100 mm <sup>2</sup> , 2 oz. Cu)           | Ψ <sub>J-B</sub> | 12         | °C/W  |
| Thermal Resistance, Junction-to-Case Top<br>(4 layer High-K JEDEC JESD51-7 PCB, 100 mm <sup>2</sup> , 2 oz. Cu)        | Ψ <sub>J-T</sub> | 5          | °C/W  |
| Total Power Dissipation @ T <sub>A</sub> = 25°C<br>(4 layer High-K JEDEC JESD51-7 PCB, 100 mm <sup>2</sup> , 2 oz. Cu) | P <sub>max</sub> | 1.67       | W     |
| Derate above 25°C  |                  | 13.4       | mW/°C |
| Operating Ambient Temperature Range  | T <sub>A</sub>   | -40 to 125 | °C    |
| Operating Junction Temperature Range   | T <sub>J</sub>   | -55 to 150 | °C    |
| Non-operating Storage Temperature Range  | T <sub>STG</sub> | -55 to 155 | °C    |
| Lead Temperature, Soldering (10 Sec)   | T <sub>L</sub>   | 260        | °C    |

# NIS6420

**Table 4. ELECTRICAL CHARACTERISTICS**

(Unless otherwise noted:  $V_{IN} = 12\text{ V}$ ,  $dV/dt$  pin open,  $R_{LIM} = 10\text{ k}\Omega$ ,  $T_A = 25^\circ\text{C}$ )

| Characteristics   | Symbol          | Min  | Typ  | Max   | Unit             |
|---|-----------------|------|------|-------|------------------|
| <b>POWER FET</b>  |                 |      |      |       |                  |
| ON Resistance (Note 4)<br>$T_J = 140^\circ\text{C}$ (Note 5)  | $R_{DS(on)}$    |      | 42   | 60    | $\text{m}\Omega$ |
|   |                 |      | 62   |       |                  |
| Continuous Current ( $T_a = 25^\circ\text{C}$ , 0.5 sq in pad) (Note 4)<br>( $T_a = 80^\circ\text{C}$ , minimum copper) | $I_d$           |      | 5    |       | A                |
|   |                 |      | 3.8  |       |                  |
| Off State Leakage ( $V_{in} = 12\text{ V}$ , $EN = 0\text{ V}$ )  | $I_{leak}$      |      |      | 1     | $\mu\text{A}$    |
| <b>THERMAL LATCH</b>  |                 |      |      |       |                  |
| Shutdown Temperature (Note 1)   | $T_{SD}$        | 150  | 175  | 200   | $^\circ\text{C}$ |
| <b>UNDERVOLTAGE PROTECTION</b>  |                 |      |      |       |                  |
| Undervoltage Lockout (Turn on, Voltage Going High)  | $V_{UVLO}$      | 2.3  |      | 3.0   | V                |
| UVLO Hysteresis   | $V_{Hyst}$      |      | 0.3  |       | V                |
| <b>CURRENT LIMIT</b>  |                 |      |      |       |                  |
| Overload Current Limit (overload/trigger), $R_{LIM} = 10\text{ k}\Omega$  | $I_{OL}$        |      | 4.5  |       | A                |
| Short Circuit Current Limit, $R_{LIM} = 10\text{ k}\Omega$  | $I_{SC}$        | 1.99 | 2.3  | 2.6   | A                |
| Current Limit Response Time   | $T_{ilim}$      | 5.5  |      | 40    | $\mu\text{s}$    |
| <b>LOAD CURRENT MONITORING</b>  |                 |      |      |       |                  |
| Load Monitor Sense Current, $R_{SENSE} = 1\text{ k}\Omega$  | $I_{SENSE}$     | 0.8  | 1    | 1.2   | $\text{mA/A}$    |
| <b>REVERSE CURRENT LIMIT</b>  |                 |      |      |       |                  |
| Reverse Current Limit (Note 5)  | $I_{REVERSE}$   |      |      | 1.78  | A                |
| Reverse Current Limit Response Time<br>( $dV_{in}/dt = -5\text{ V}/1\text{ ms}$ , $20\text{ }\mu\text{F}$ Load)         | $T_{IREVERSE}$  | 5    |      | 10    | $\mu\text{s}$    |
| <b>SLEW RATE CONTROL</b>  |                 |      |      |       |                  |
| Slew Rate (No $dV/dt$ capacitor)  | SR              |      | 1.0  |       | ms               |
| <b>ENABLE/FAULT</b>   |                 |      |      |       |                  |
| Output Logic Level Low (Output Disabled)  | $EN_{(VOL)}$    |      |      | 0.8   | V                |
| Output Logic Level Mid (Thermal Fault, Output Disabled)   | $EN_{(O-MID)}$  | 0.9  | 1.4  | 1.95  | V                |
| Output Logic Level High (Output Enabled)  | $EN_{(VOH)}$    | 2.1  |      |       | V                |
| Logic Low Sink Current ( $V_{enable} = 0\text{ V}$ )  | $EN_{(ISink)}$  |      | 16.7 | 20.24 | $\mu\text{A}$    |
| Logic High Leakage Current for External Switch<br>( $V_{enable} = 3.3\text{ V}$ )                                       | $EN_{(ILeak)}$  |      |      | 1     | $\mu\text{A}$    |
| Maximum Fanout for Fault Signal (Total number of chips that can be connected to this pin for simultaneous shutdown)     | $EN_{(Fanout)}$ |      |      | 3     | Units            |
| <b>SAS DISABLE</b>  |                 |      |      |       |                  |
| Logic Level Low (Output Enabled)  | $SAS_{IN(VIL)}$ | 0.3  |      |       | V                |
| Logic Level High (Output Disabled)  | $SAS_{IN(VIH)}$ |      |      | 1.2   | V                |
| De-glitch Filter Delay  | $SAS_{Tdlv}$    | 2    |      | 50    | $\mu\text{s}$    |
| <b>TOTAL DEVICE</b>   |                 |      |      |       |                  |
| Bias Current  | $I_{Bias}$      |      |      |       | $\mu\text{A}$    |
| Operational ( $I_{Load} = 0\text{ A}$ )   |                 |      | 300  |       |                  |
| Shutdown ( $EN = 0$ ), (Note 2)   |                 |      | 220  |       |                  |
| Fault   |                 |      | 100  | 120   |                  |

# NIS6420

**Table 4. ELECTRICAL CHARACTERISTICS**

(Unless otherwise noted:  $V_{IN} = 12\text{ V}$ ,  $dV/dt$  pin open,  $R_{LIM} = 10\text{ k}\Omega$ ,  $T_A = 25^\circ\text{C}$ )

| Characteristics              | Symbol   | Min            | Typ             | Max           | Unit |
|------------------------------|----------|----------------|-----------------|---------------|------|
| <b>FAULT EVENTS</b>          |          |                |                 |               |      |
|                              |          | EN/Fault Level | $V_{OUT}$ State | Latch         |      |
| Under Voltage Lock Out       | UVLO     | $EN_{(VOL)}$   | off             | no            |      |
| Thermal Shutdown             | TSD      | $EN_{(MID)}$   | off             | yes, (Note 1) |      |
| Reverse Current Protection   | Ireverse | $EN_{(MID)}$   | off             | no, (Note 5)  |      |
| No Fault ( $V_{in} > UVLO$ ) |          | $EN_{(VOH)}$   | on              | N/A           |      |

Product parametric performance is indicated in the Electrical Characteristics for the listed test conditions, unless otherwise noted. Product performance may not be indicated by the Electrical Characteristics if operated under different conditions.

1. eFuse is latched off until the En/Fault pin is pulled low and then released, the SAS Disable pin is pulled high and then released or a power on reset is applied to the device.
2. Does not include fan out of Enable/Fault function.
3. Pulse test: Pulse width 300 s, duty cycle 2%
4. Verified by design.
5. Once the device has entered shutdown mode due to a reverse current event, it will re-enable its output when  $V_{IN} > V_{OUT}$  for at least 100  $\mu\text{s}$ . The slew rate SR will be applied when the output is re-enabled.

TYPICAL CHARACTERISTICS

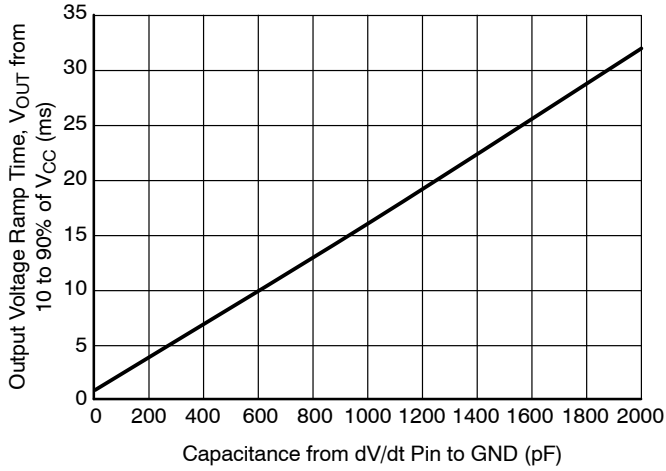


Figure 4. Slew Rate vs dV/dt Capacitance  
3.3 V to 12 V V<sub>CC</sub>

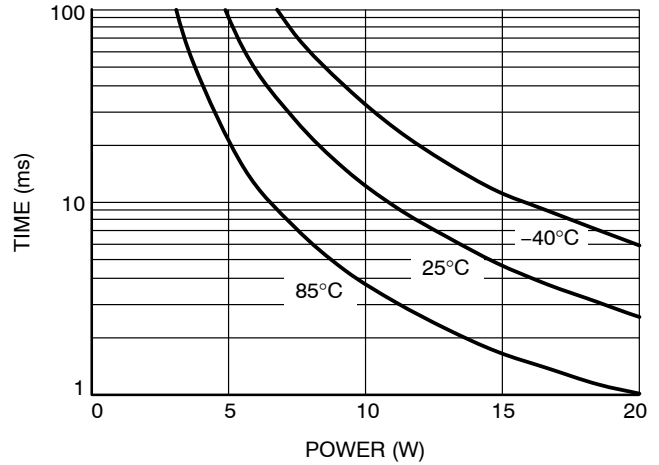


Figure 5. Thermal Trip Time vs. Power Dissipation

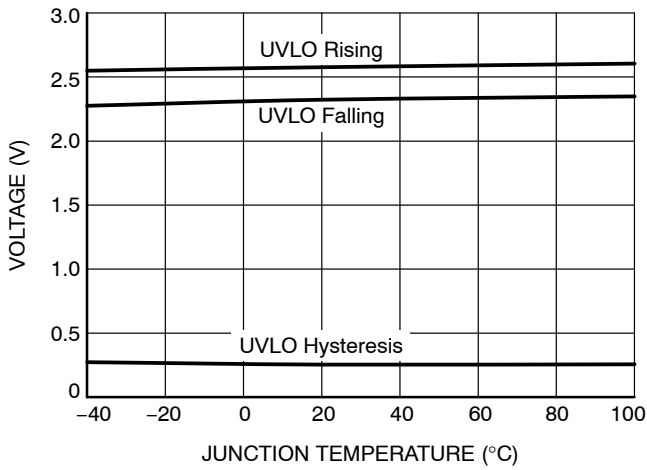


Figure 6. UVLO vs. Junction Temperature

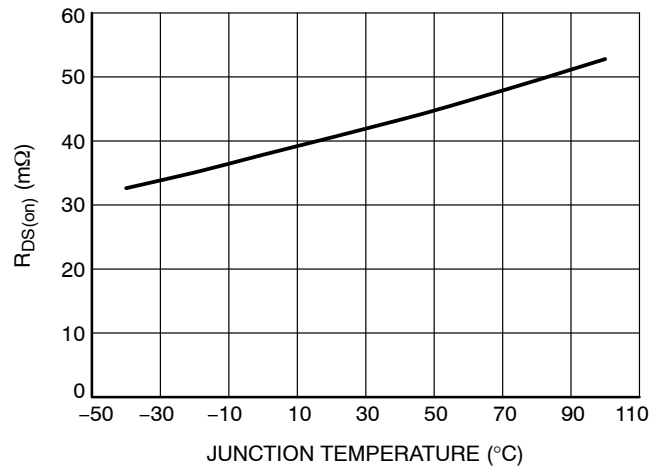


Figure 7. R<sub>DS(on)</sub> vs. Junction Temperature

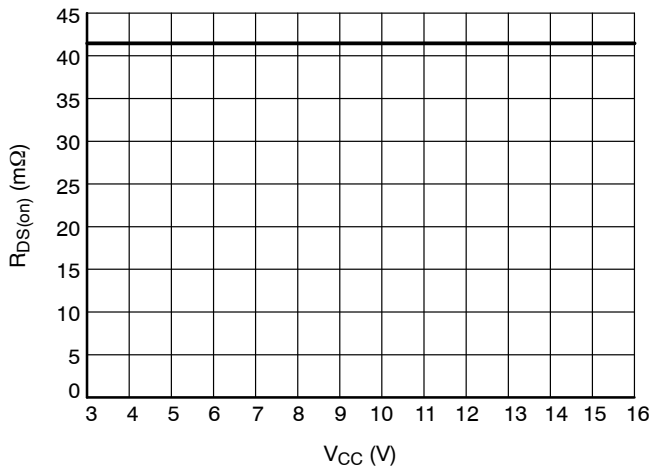


Figure 8. R<sub>DS(on)</sub> vs. V<sub>CC</sub>

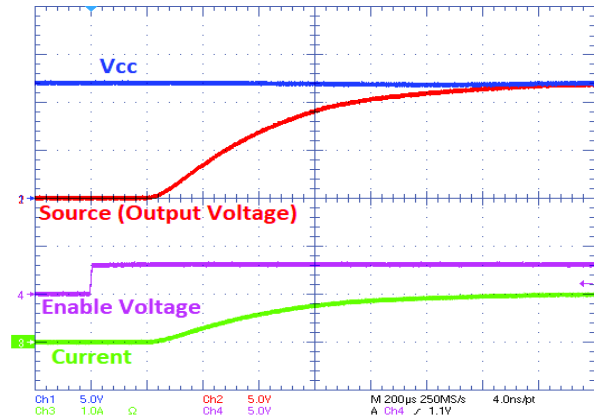


Figure 9. Slew Rate Control



TYPICAL CHARACTERISTICS

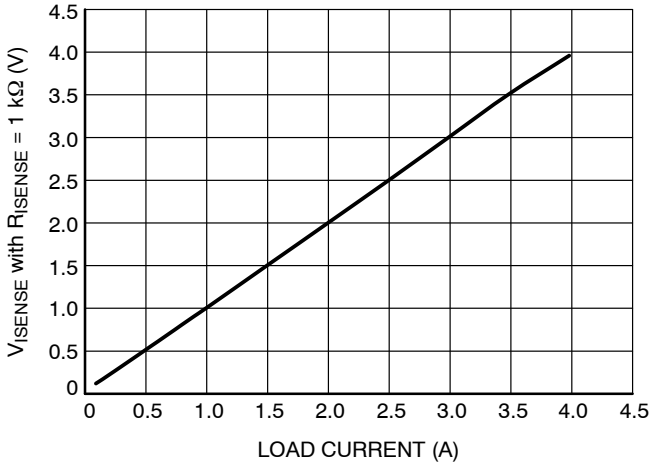


Figure 10.  $V_{ISENSE}$  vs. Load Current

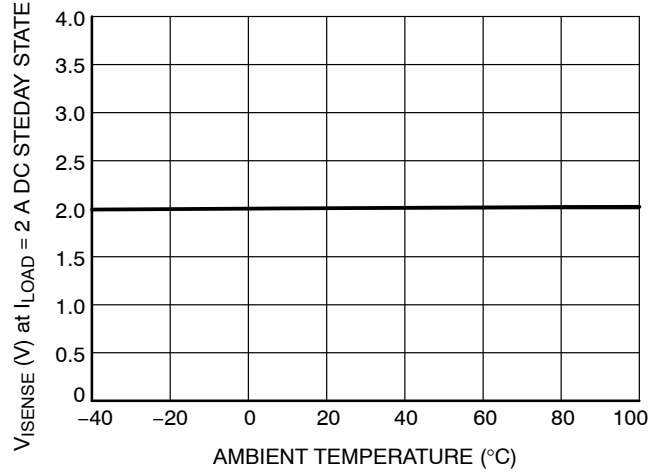


Figure 11.  $V_{ISENSE}$  vs. Ambient Temperature

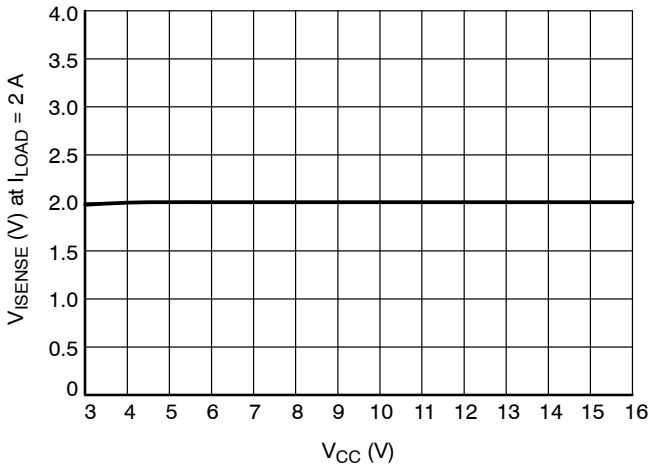


Figure 12.  $V_{ISENSE}$  vs.  $V_{CC}$

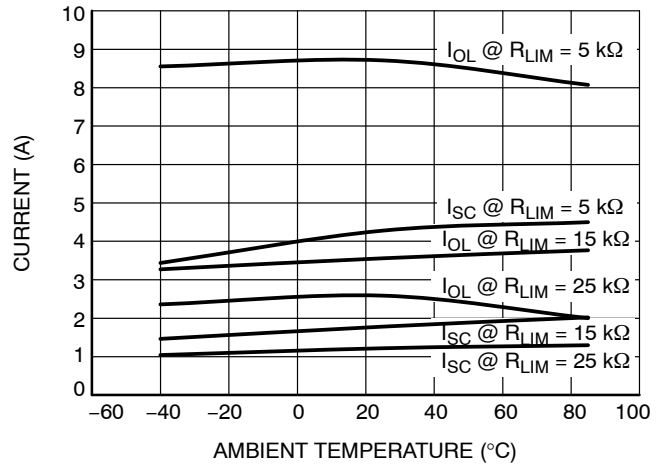


Figure 13.  $I_{LIM}$  vs.  $R_{LIM}$  over Ambient Temperature

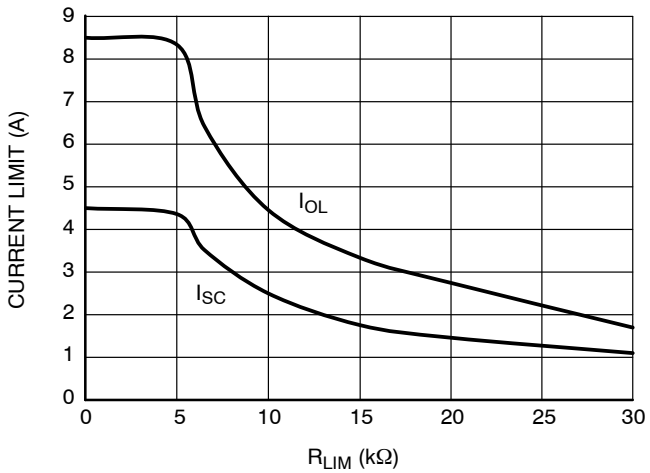


Figure 14. Overload and Short Circuit Current Limit vs  $R_{LIM}$

## APPLICATIONS INFORMATION

**Basic Operation**

This device is a self-protected, resettable, electronic fuse. It contains circuits to monitor the input voltage, output voltage, output current and die temperature.

On application of the input voltage, the device will apply the input voltage to the load based on the restrictions of the controlling circuits. The output voltage, which is controlled by an internal dv/dt circuit, will slew from 0 V to the rated output voltage in 1.3 ms.

The device will remain on as long as the temperature does not exceed the 175°C limit that is programmed into the chip.

The internal current limit circuit does not shut down the part but will reduce the conductivity of the FET to maintain a constant current at the internally set current limit level.

An internal charge pump provides bias for the gate voltage of the internal n-channel power FET and also for the current limit circuit. The remainder of the control circuitry operates between the input voltage ( $V_{CC}$ ) and ground.

**Enable/Fault**

The Enable/Fault Pin is a multi-function, bidirectional pin that can control the output of the chip as well as send information to other devices regarding the state of the chip. When this pin is low, the output of the fuse will be turned off. When this pin is high the output of the fuse will be turned-on. If a thermal fault occurs, this pin will be pulled low to an intermediate level by an internal circuit. To use as a simple enable pin, an open drain or open collector device should be connected to this pin. Due to its tri-state operation, it should not be connected to any type of logic with an internal pull-up device.

If the chip shuts down due to the die temperature reaching its thermal limit, this pin will be pulled down to an intermediate level. This signal can be monitored by an external circuit to communicate that a thermal shutdown has occurred. If this pin is tied to another device in this family, a thermal shutdown of one device will cause both devices to disable their outputs. Both devices will turn on once the fault is removed for the auto-retry devices.

Since this is a latching thermal device, the outputs will be enabled after the enable pin has been pulled to ground with an external switch and then allowed to go high or after the input power has been recycled.

**Thermal Protection**

The NIS6420 includes an internal temperature sensing circuit that senses the temperature on the die of the power FET. If the temperature reaches 175°C, the device will shut down, and remove power from the load. Output power can be restored by either recycling the input power or toggling the enable pin.

The thermal limit has been set high intentionally, to increase the trip time during high power transient events. It is not recommended to operate this device above 150°C for extended periods of time.

**SAS Disable**

The SAS Disable feature provides a digital interface to control the output of the eFuse. When the SAS<sub>IN</sub> pin is pulled high by any external digital control circuitry the eFuse switches to its off state. When the SAS<sub>IN</sub> pin is pulled low the eFuse output is turned on. All fault conditions will be cleared when the eFuse is reset through the SAS pin.

**Reverse Current Protection**

The NIS6420 monitors and protects against reverse current events, which can be the result of a malfunction in the power supply or noise induced in the input voltage rail under certain load characteristics (for example, when the load is largely capacitive).

The protection mechanism disables the eFuse's output and triggers when the reverse current exceeds the preset magnitude and this condition remains for at least 7.5  $\mu$ s.

The NIS6420 automatically re-enables its output once the input voltage exceeds the output voltage for at least 100  $\mu$ s.

**Current Limit**

The current limit circuit uses a SENSEFET along with a reference and amplifier to control the peak current in the device. The SENSEFET allows for a small fraction of the load current to be measured, which has the advantage of reducing the losses in the sense resistor. The current limit circuit has two limiting values, one for short circuit hold current –  $I_{SC}$ , another is overload current limit  $I_{OL}$ . Refer to Figure 14. for dependence of  $I_{OL}$  and  $I_{SC}$  vs current limit resistor  $R_{LIM}$ .

**Load Current Monitoring**

The current monitor  $I_{SENSE}$  pin provides a small current proportional to the main device current which is flowing through the device. This pin should have a decoupling capacitor to filter out internal sampling noise. A resistor connected between the  $I_{SENSE}$  pin and GND converts the  $I_{SENSE}$  current into a GND referenced voltage. This pin can be floated if the feature is not required by application. Connect this pin to ground through 1 kOhm 1% resistor and a 1  $\mu$ F capacitor to ground to read the voltage corresponding to a load current.

**Slew Rate Control**

The dv/dt circuit brings the output voltage up under a linear, controlled rate regardless of the load impedance characteristics. An internal ramp generator creates a linear ramp, and a control circuit forces the output voltage to follow that ramp, scaled by a factor. The default ramp time is approximately 1.3 ms. This pin includes an internal current source of approximately 1  $\mu$ A. Since the current level is very low, it is important to use a ceramic cap or other low leakage capacitor. Aluminum electrolytic capacitors are not recommended for this circuit. Refer to Figure 4. for the typical ramp time vs Cdvdt capacitor. Anytime that the unit shuts down due to a fault, enable shut-down, or recycling of input power, the timing capacitor will be discharged and the output voltage will ramp from 0 at turn on.

# NIS6420

## ORDERING INFORMATION

| Device        | Marking | Auto-Retry/Latch | Package             | Shipping <sup>†</sup> |
|---------------|---------|------------------|---------------------|-----------------------|
| NIS6420MT1TWG | 62L     | Latch            | WQFN12<br>(Pb-Free) | 3000 / Tape & Reel    |
| NIS6420MT2TWG | 62A     | Auto-Retry       |                     | 3000 / Tape & Reel    |

<sup>†</sup>For information on tape and reel specifications, including part orientation and tape sizes, please refer to our Tape and Reel Packaging Specifications Brochure, BRD8011/D.

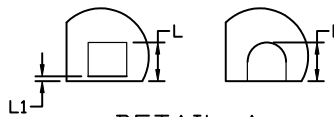
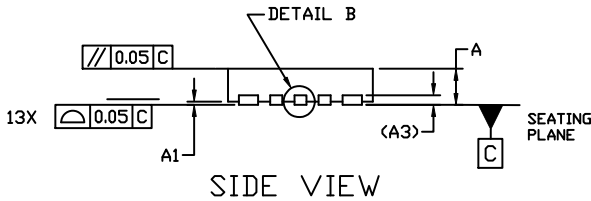
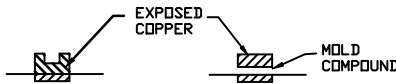
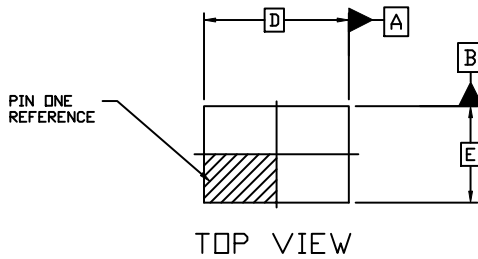
# NIS6420

## PACKAGE DIMENSIONS

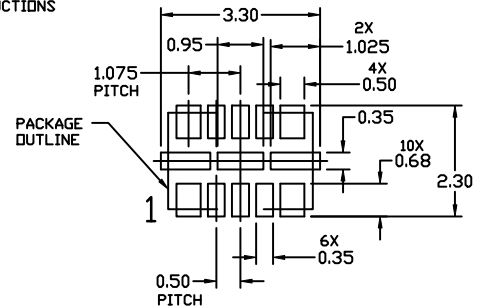
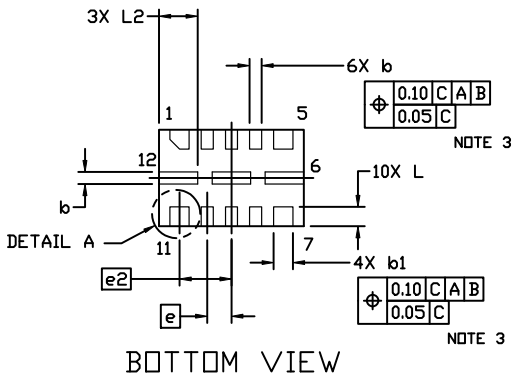
**WQFN12 3.0x2.0, 0.5P**  
**CASE 510BM**  
**ISSUE C**

**NOTES:**

1. DIMENSIONING AND TOLERANCING PER ASME Y14.5M, 2009.
2. CONTROLLING DIMENSION: MILLIMETERS
3. DIMENSION b AND b1 APPLY TO THE PLATED TERMINALS AND ARE MEASURED BETWEEN 0.15 AND 0.25MM FROM THE TERMINAL TIP.
4. COPLANARITY APPLIES TO THE EXPOSED PAD AS WELL AS THE TERMINALS.



| DIM | MILLIMETERS |      |      |
|-----|-------------|------|------|
|     | MIN.        | NOM. | MAX. |
| A   | 0.70        | 0.75 | 0.80 |
| A1  | 0.00        | ---  | 0.05 |
| A3  | 0.20 REF    |      |      |
| b   | 0.20        | 0.25 | 0.30 |
| b1  | 0.35        | 0.40 | 0.45 |
| D   | 2.90        | 3.00 | 3.10 |
| E   | 1.90        | 2.00 | 2.10 |
| e   | 0.50 BSC    |      |      |
| e2  | 1.075 BSC   |      |      |
| L   | 0.30        | 0.40 | 0.50 |
| L1  | 0.00        | ---  | 0.15 |
| L2  | 0.70        | 0.80 | 0.90 |



\* For additional information on our Pb-Free strategy and soldering details, please download the ON Semiconductor Soldering and Mounting Techniques Reference Manual, SOLDERM/D.

ON Semiconductor and are trademarks of Semiconductor Components Industries, LLC dba ON Semiconductor or its subsidiaries in the United States and/or other countries. ON Semiconductor owns the rights to a number of patents, trademarks, copyrights, trade secrets, and other intellectual property. A listing of ON Semiconductor's product/patent coverage may be accessed at [www.onsemi.com/site/pdf/Patent-Marking.pdf](http://www.onsemi.com/site/pdf/Patent-Marking.pdf). ON Semiconductor reserves the right to make changes without further notice to any products herein. ON Semiconductor makes no warranty, representation or guarantee regarding the suitability of its products for any particular purpose, nor does ON Semiconductor assume any liability arising out of the application or use of any product or circuit, and specifically disclaims any and all liability, including without limitation special, consequential or incidental damages. Buyer is responsible for its products and applications using ON Semiconductor products, including compliance with all laws, regulations and safety requirements or standards, regardless of any support or applications information provided by ON Semiconductor. "Typical" parameters which may be provided in ON Semiconductor data sheets and/or specifications can and do vary in different applications and actual performance may vary over time. All operating parameters, including "Typicals" must be validated for each customer application by customer's technical experts. ON Semiconductor does not convey any license under its patent rights nor the rights of others. ON Semiconductor products are not designed, intended, or authorized for use as a critical component in life support systems or any FDA Class 3 medical devices or medical devices with a same or similar classification in a foreign jurisdiction or any devices intended for implantation in the human body. Should Buyer purchase or use ON Semiconductor products for any such unintended or unauthorized application, Buyer shall indemnify and hold ON Semiconductor and its officers, employees, subsidiaries, affiliates, and distributors harmless against all claims, costs, damages, and expenses, and reasonable attorney fees arising out of, directly or indirectly, any claim of personal injury or death associated with such unintended or unauthorized use, even if such claim alleges that ON Semiconductor was negligent regarding the design or manufacture of the part. ON Semiconductor is an Equal Opportunity/Affirmative Action Employer. This literature is subject to all applicable copyright laws and is not for resale in any manner.

### PUBLICATION ORDERING INFORMATION

**LITERATURE FULFILLMENT:**  
 Email Requests to: [orderlit@onsemi.com](mailto:orderlit@onsemi.com)

**TECHNICAL SUPPORT**  
**North American Technical Support:**  
 Voice Mail: 1 800-282-9855 Toll Free USA/Canada  
 Phone: 011 421 33 790 2910

**Europe, Middle East and Africa Technical Support:**  
 Phone: 00421 33 790 2910  
 For additional information, please contact your local Sales Representative