

REV.	DESCRIPTION	DRAWN	DATE
1	INITIAL RELEASE	Willis	2012/08/03
2	Revised frame & corrected temp.	Fros	2015/10/14

SPECIFICATION:

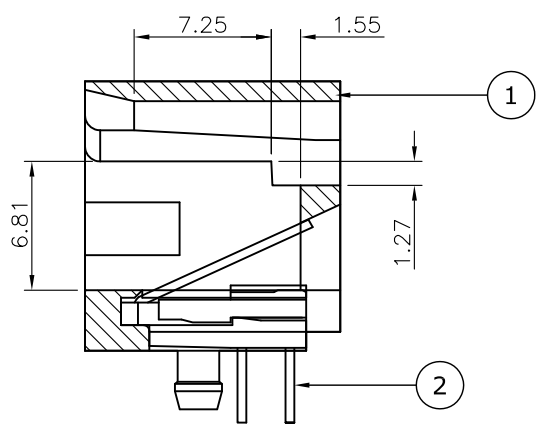
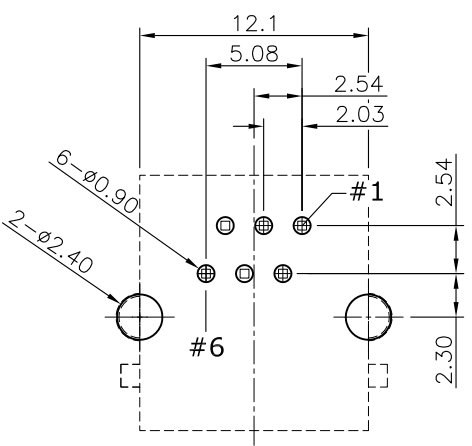
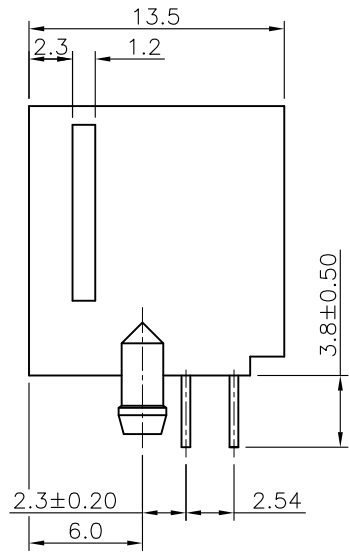
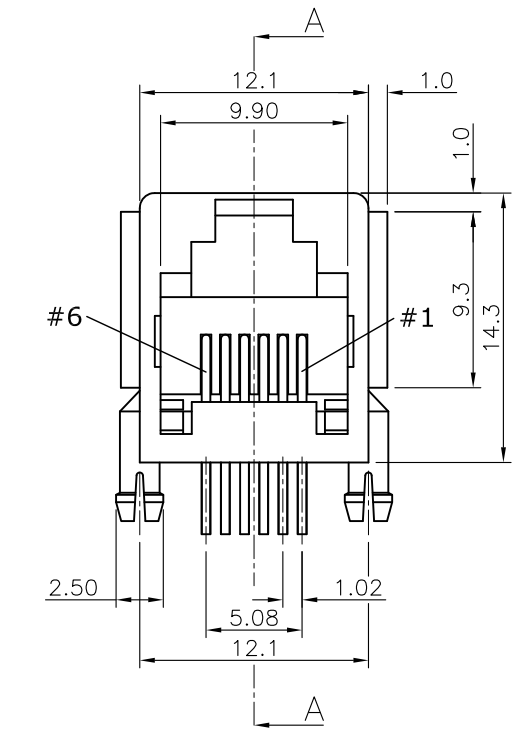
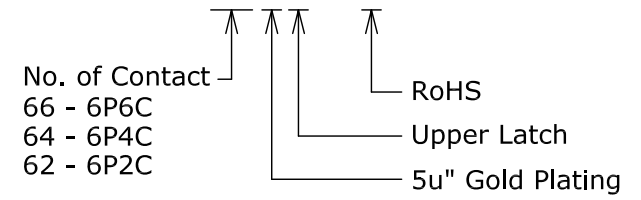
1. ELECTRICAL
 - 1.1 Current Rating: 1.5A
 - 1.2 Voltage Rating: 125V AC RMS.
 - 1.3 Contact Resistance: 30mΩ
 - 1.4 Insulation Resistance: 1000MΩ
 - 1.5 Dielectric Withstanding Voltage: 1000VAC

2. MECHANICAL
 - 2.1 Durability: 750 Cycle
 - 2.2 PCB Retention Pre-Solder: 1LB MIN.
 - 2.3 PCB Retention Post-Solder: 10LBS min

3. ENVIRONMENTAL
 - 3.1 Operating temperature range: -40°C~+85°C
 - 3.2 Storage temperature range: -40°C~+85°C

Mates with modular plug conforming to TIA-1096-A

P/N TABLE: 210B - 6 X C A 0 - R



RECOMMENDED LAYOUT (TOP VIEW)

SECTION A-A

2	CONTACT	PHOSPHOR BRONZE, GOLD PLATING OVER NICKEL		
1	HOUSING	HIGH TEMP. UL94V-0, BLACK. OR GRAY.		
NO. PART NAME DESCRIPTION				
UNLESS OTHERWISE SPECIFIED TOLERANCE				
UNIT:	DECIMAL	LINEAR	ANGLES	
	mm	X, X.X	±0.50 ±0.25	±5° ±3°
		X, XX	±0.12	±1°
DRAWN Willis 2012/08/03			DRAWN NAME: RJ45 Plastic Jack Single Port Type	
CHECKED Angel 2012/08/03				
APPROVED Ken 2012/08/03			PRODUCT NO. SEE TABLE	
SCALE	SHEET	SIZE	FILE NAME	
2.5	1/1	A4	210B-6XCA0-R_B_2	



WWW.ATTEND.COM.TW