

THIS DRAWING IS UNPUBLISHED.

RELEASED FOR PUBLICATION

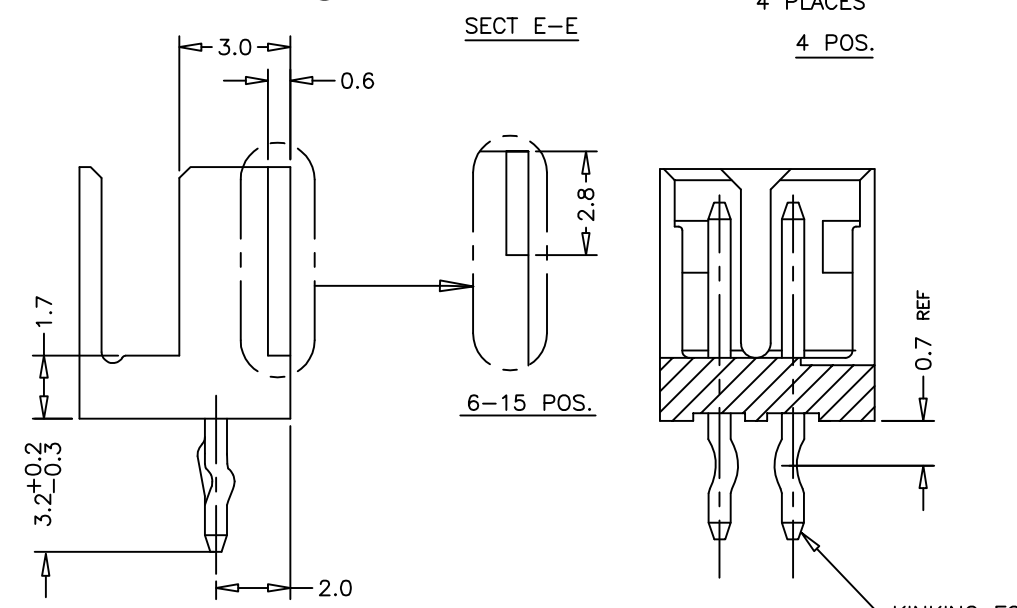
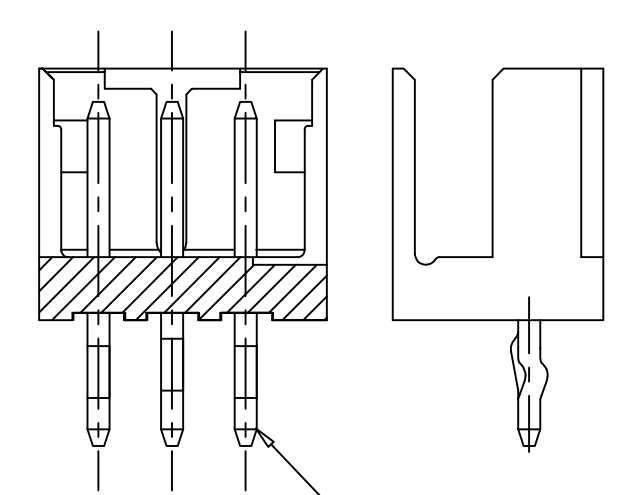
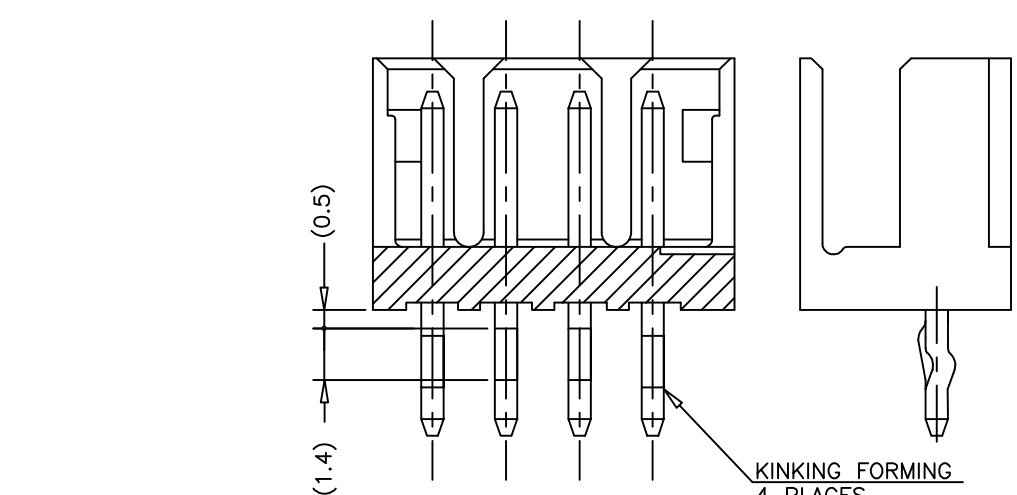
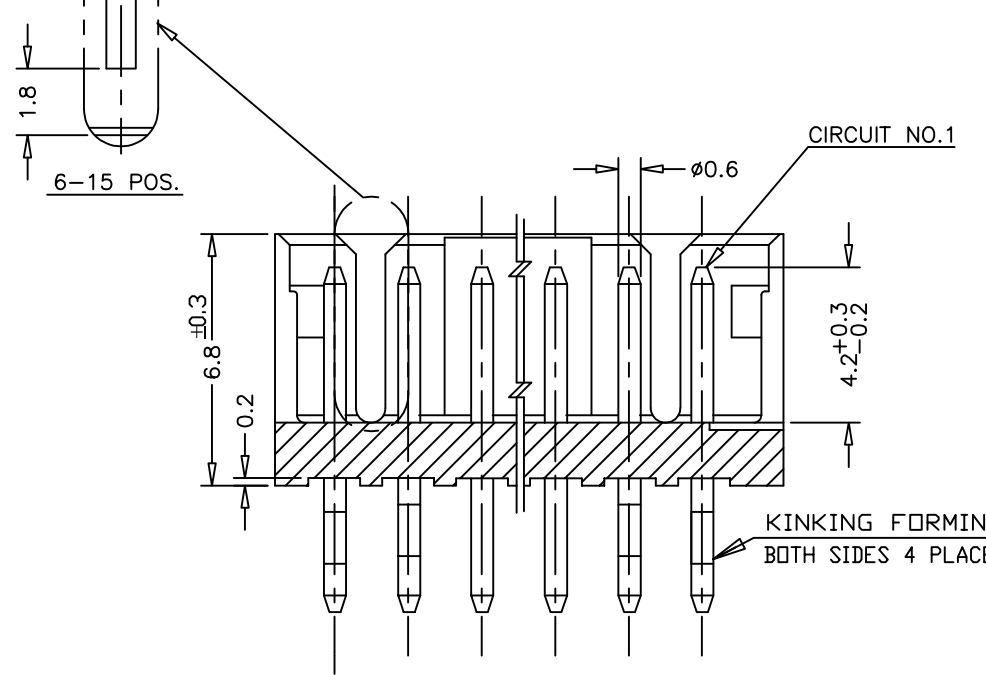
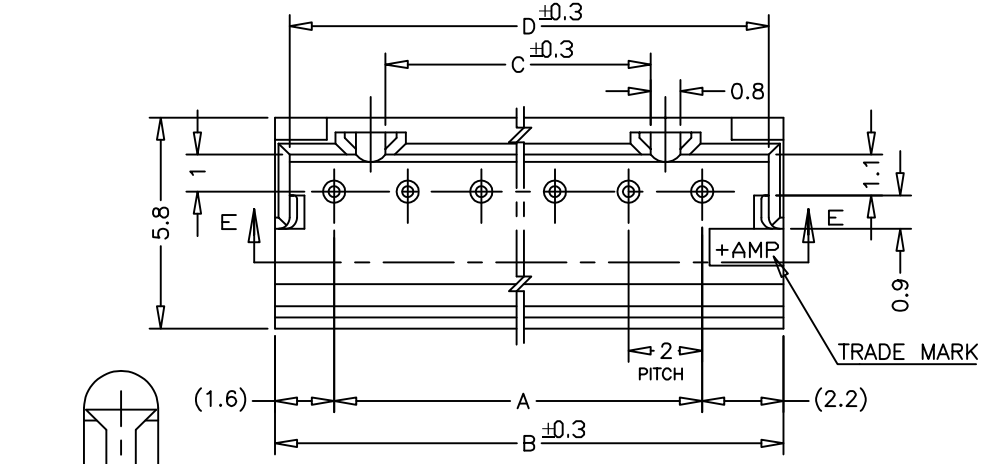
© COPYRIGHT - By -

ALL RIGHTS RESERVED.

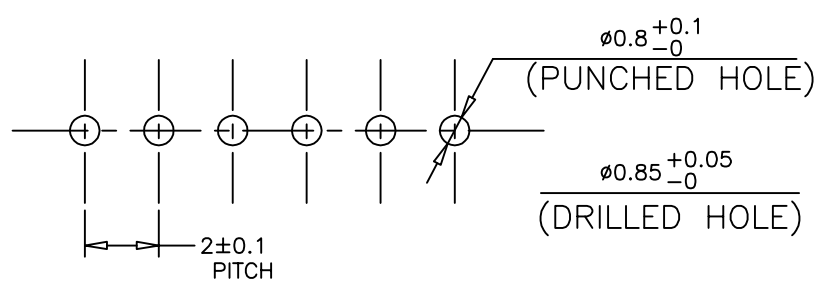
LOC FB DIST 00

REVISIONS

P	LTR	DESCRIPTION	DATE	DWN	APVD
P1	REVISED	ECR-14-006619	13MAY14	T.Q	W.H



- NOTES:  
 1 MATERIAL : HOUSING-66 NYLON (UL94V-0)  
 POST -GOLD-PLT BRASS  
 2 APPLICABLE RECEPTACLE : P/N 176392



NOT ACCUMULATED TOLERANCE

RECOMMENDABLE P.C. BOARD LAYOUT  
(PCB THK : 0.8-1.6)

	1-292134-5	15	28	31.8	25.2	31.0
NATURAL (WHITE)	1-	-2	12	22	25.8	19.2
	1-	-0	10	18	21.8	15.2
		-9	9	16	19.8	13.2
		-6	6	10	13.8	7.2
		-5	5	8	11.8	5.2
		-4	4	6	9.8	3.2
		-3	3	4	7.8	—
		-2	2	2	5.8	—
	292134-2	2	2	2	5.8	—
COLOR	P/N	POS.	A	B	C	D

THIS DRAWING IS A CONTROLLED DOCUMENT.

DWN S.XU 31JAN03  
 CHK S.YAO 31JAN03  
 APVD T.SASAKI 31JAN03

DIMENSIONS: mm TOLERANCES UNLESS OTHERWISE SPECIFIED: ±0.2

0-PLG ±  
 1-PLG ±  
 2-PLG ±  
 3-PLG ±  
 4-PLG ±  
 ANGLES ±

MATERIAL SEE NOTE FINISH SEE NOTE

108-60016

TE Connectivity

POST HEADER ASS'Y (BOX-V)  
 GOLD PLT TYPE (AMP CT CONNECTOR 2mm PITCH)

SIZE A3 CAGE CODE 00779 DRAWING NO C=292134 RESTRICTED TO

WEIGHT -

CUSTOMER DRAWING SCALE 5:1 SHEET 1 of 1 REV P1