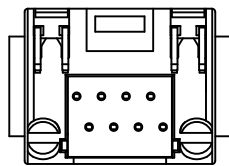
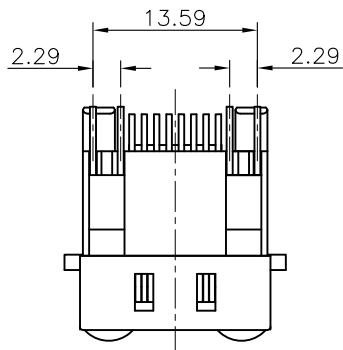
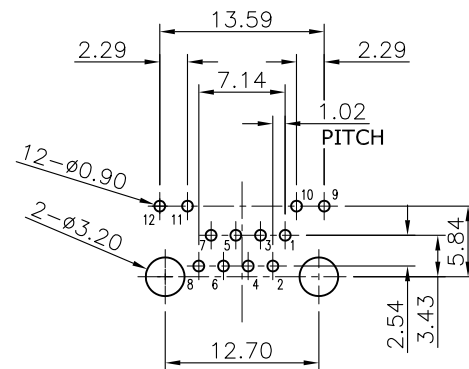
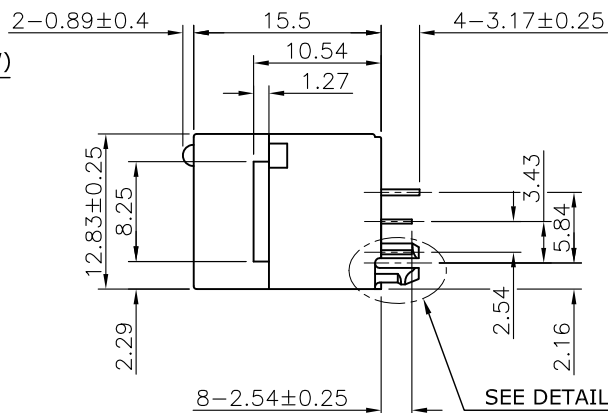
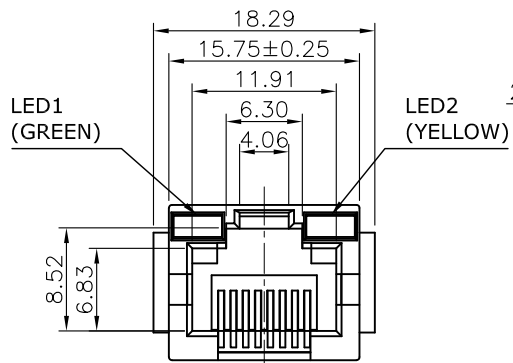
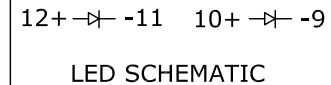


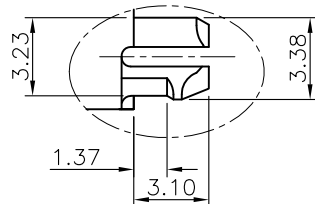
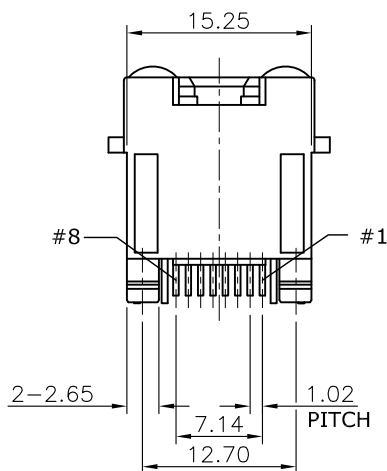
REV.	DESCRIPTION	DRAWN	DATE
1	INITIAL RELEASE	FROS	2016/10/14



BOTTOM VIEW



Recommended Layout (top view)
General Tolerance: ±0.05mm



DETAIL Z
SCALE 3.2/1

*Cavity conforms to FCC rules and regulations part 68. subpart F

3	LED	Steel Tail, Tin Plating	
2	CONTACT	Phosphor Bronze, Gold plating on contact area Tin plating on solder tails, under Nickel plated	
1	HOUSING	PA46+GF, UL94V-0, Black	
NO. PART NAME		DESCRIPTION	
UNLESS OTHERWISE SPECIFIED TOLERANCE			
UNIT:	DECIMAL	LINEAR	ANGLES
mm	X.	±0.50	±5°
	X.X	±0.25	±3°
	X.XX	±0.12	±1°
		WWW.ATTEND.COM.TW	
DRAWN	Fros	2016/10/14	DRAWN NAME:
CHECKED	Tim	2016/10/14	RJ45 Plastic Type, 1x1 Port Top Entry DIP w/LED G(Left)+Y(Right), 6u", Tray
APPROVED	Ken	2016/10/14	PRODUCT NO. 211B-11COB-01
SCALE	SHEET	SIZE	FILE NAME
1.6	1/1	A4	211B-11COB-01_B_1

