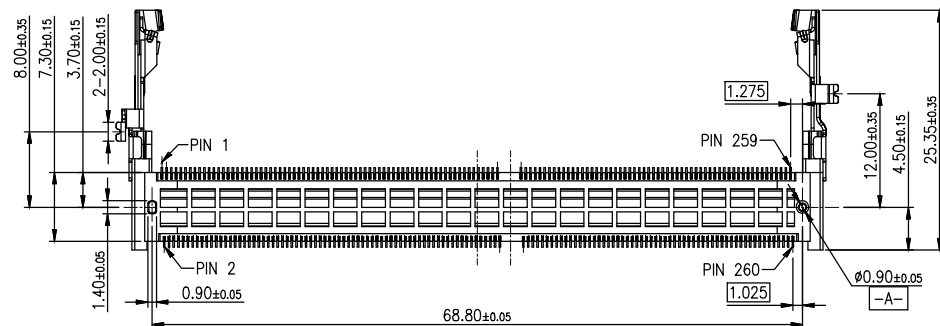
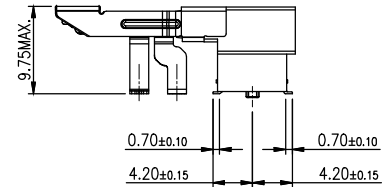
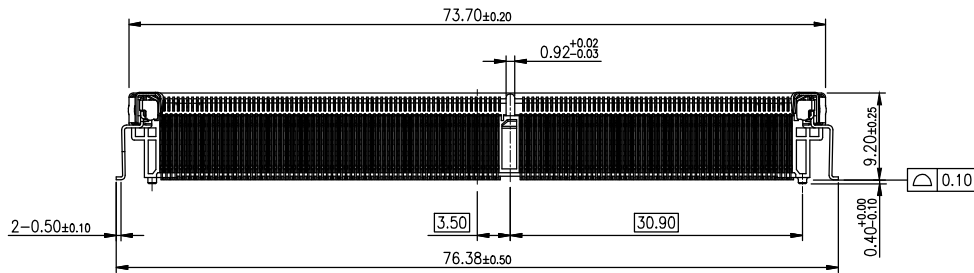
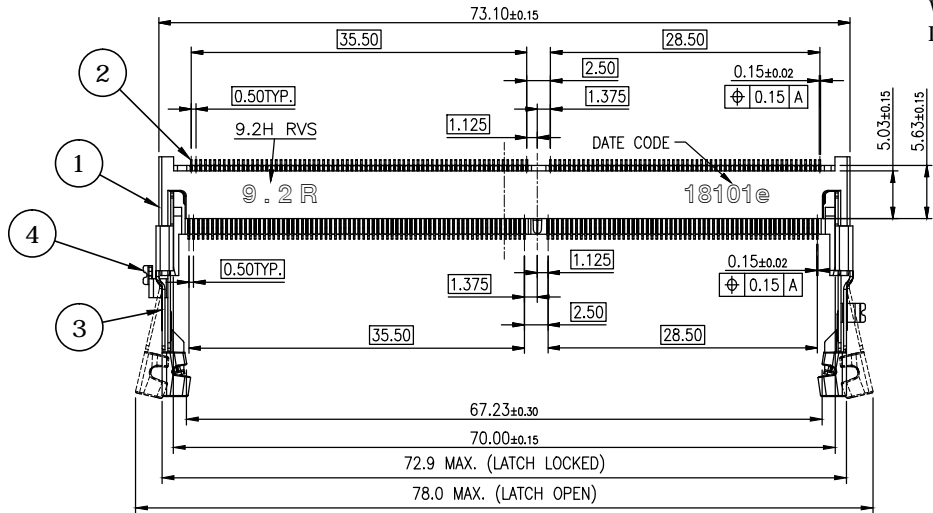


DATE CODE: 18101 (YYWW)  
 YY: YEAR (2018)  
 WW: WEEK (01~52)  
 D: DAY (1~7)

REV.	DESCRIPTION	DRAWN	DATE
1	Initial release	FROS	2019/05/30



**SPECIFICATION:**

1. ELECTRICAL
  - 1.1 Current Rating: 0.6A per pin
  - 1.2 Voltage Rating: 25V AC
  - 1.3 Contact Resistance: 60mΩ max.
  - 1.4 Insulation Resistance: 100MΩ
  - 1.5 Dielectric Withstanding Voltage: 500VAC
2. MECHANICAL
  - 2.1 Durability: 50 Cycle
  - 2.2 Insertion Force: 59.8N max.
  - 2.3 Extraction Force: 44.6N max.
3. ENVIRONMENTAL
  - 3.1 Operating temperature range: -40°C~+85°C
  - 3.2 Storage temperature range: -40°C~+85°C
4. SOLDER ABILITY
  - 4.1 Recommended IR-Reflow Temperature: 260°C

4	PEG	Stainless steel, 50u" min. tin plating over 50u" min. nickel plating
3	LATCH	Stainless steel
2	CONTACT	Copper alloy, contact area gold flash, solder area gold flash, under plating 50u" min. nickel
1	HOUSING	LCP, UL94V-0, black

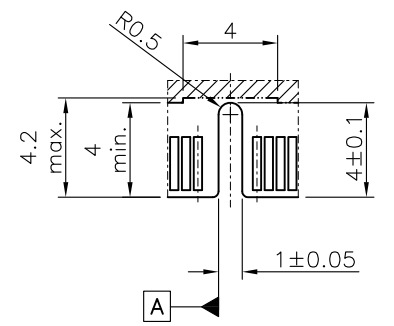
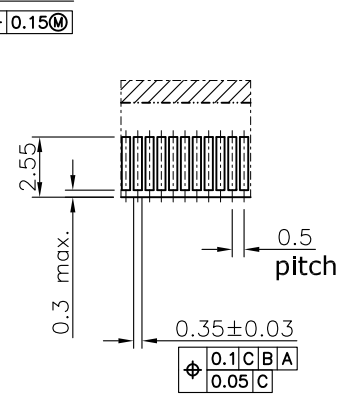
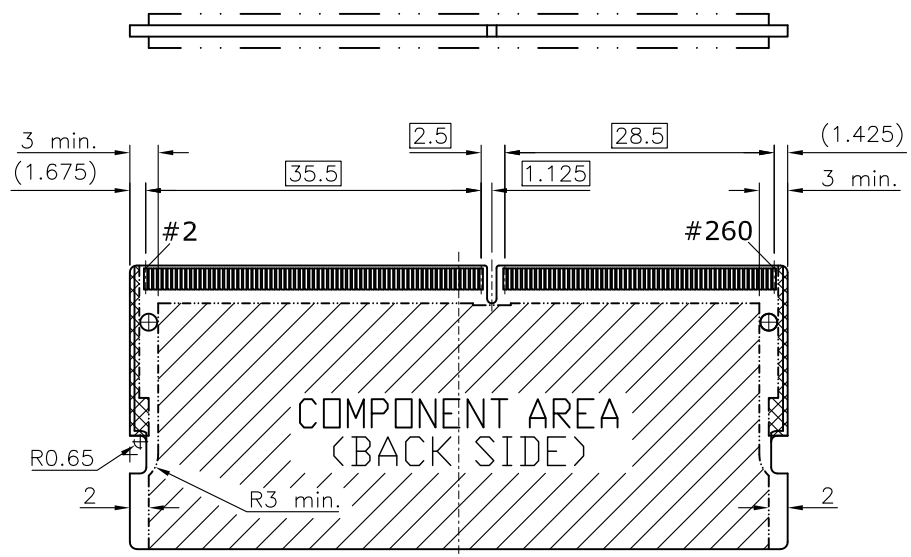
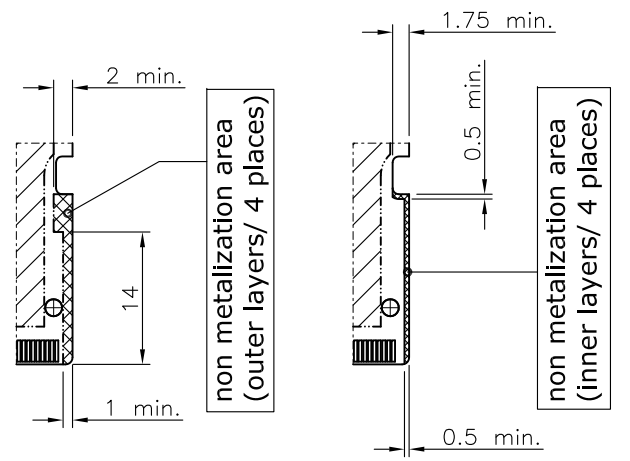
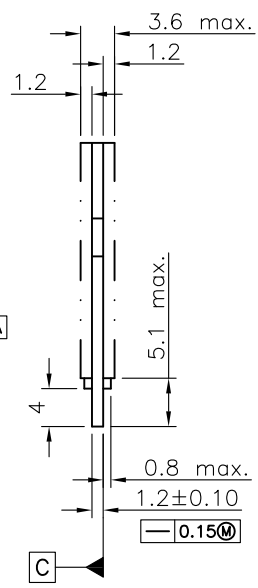
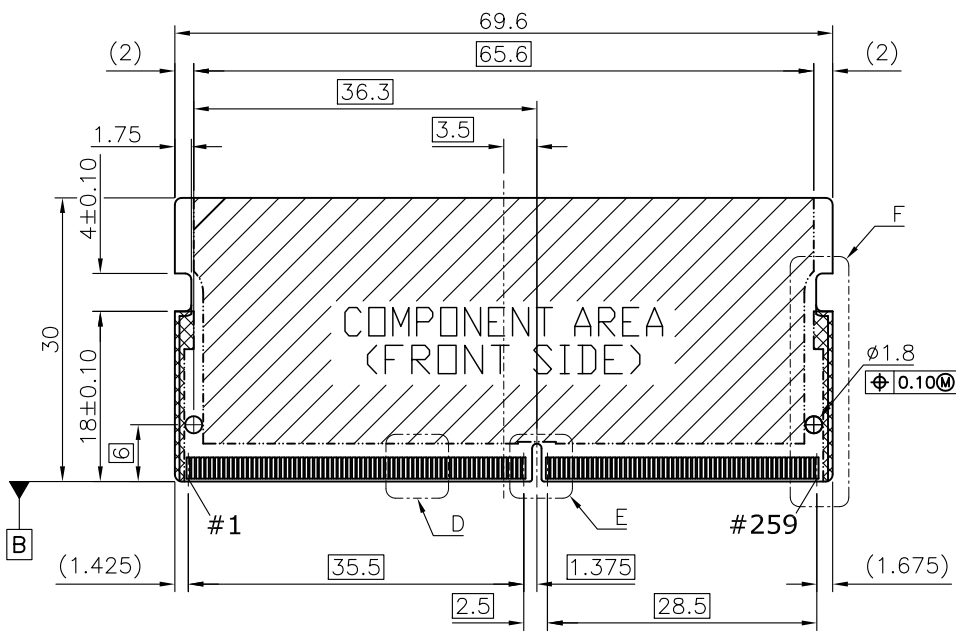
NO.		PART NAME		DESCRIPTION
UNLESS OTHERWISE SPECIFIED TOLERANCE				
UNIT:	DECIMAL	LINEAR	ANGLES	
	X.	±0.50	±5°	
	X.X	±0.25	±3°	
	X.XX	±0.12	±1°	
DRAWN		Fros	2019/05/30	DRAWN NAME: DDR4 SODIMM Socket, Horizontal 9.2H, RVS, G/F, Black, Reel, Solder PEG
CHECKED		Tim	2019/05/30	
APPROVED		Ken	2019/05/30	PRODUCT NO. 124A-92A13
SCALE	1.25/1	SHEET	1/2	FILE NAME
SIZE	A4			




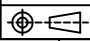
www.attend.com.tw



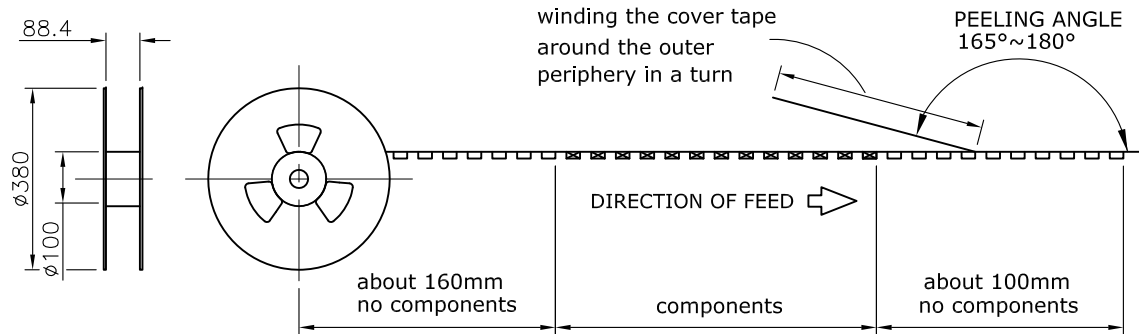
REV.	DESCRIPTION	DRAWN	DATE
1	INITIAL RELEASE	FROS	2017/02/23



Note: tolerance on dimensions is  $\pm 0.15$  unless otherwise specified.

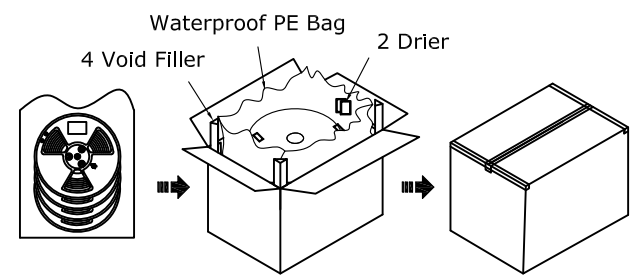
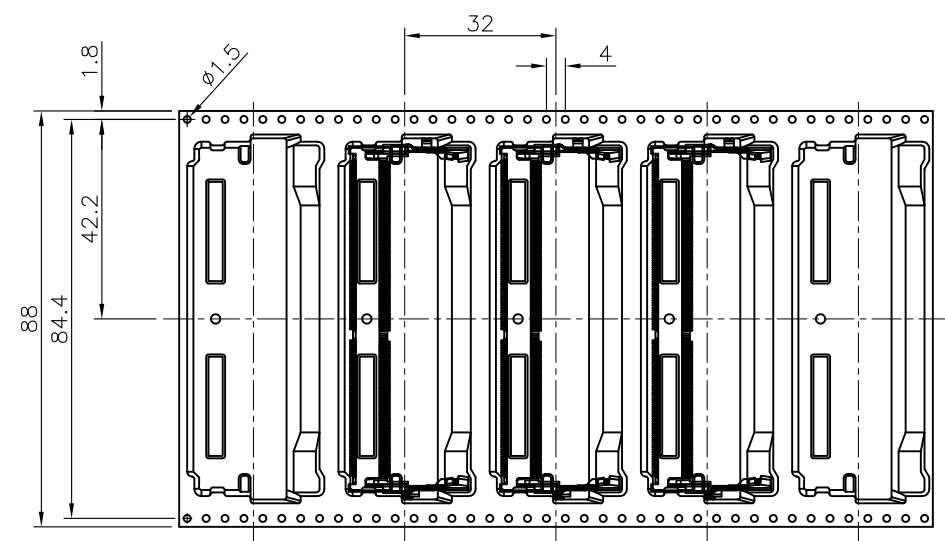
UNLESS OTHERWISE SPECIFIED TOLERANCE				 www.attend.com.tw	
UNIT:	DECIMAL	LINEAR	ANGLES		
mm	X.	$\pm 0.50$	$\pm 5^\circ$	DRAWN NAME: DDR4 SODIMM CARD SPEC.	
	X.X	$\pm 0.25$	$\pm 3^\circ$		
	X.XX	$\pm 0.12$	$\pm 1^\circ$		
DRAWN	Fros	2017/02/23	DRAWN NAME:		
CHECKED	Tim	2017/02/23	DDR4 SODIMM CARD SPEC.		
APPROVED	Ken	2017/02/23	PRODUCT NO.		
	SCALE	SHEET	SIZE	FILE NAME	124-CARD_B_1
	1.25/1	1/1	A4		

REV.	DESCRIPTION	DRAWN	DATE
1	INITIAL RELEASE	FROS	2019/06/10




### PACKAGING SPECIFICATION:

1. MATERIAL
  - 1.1 Embossed Carrier Tape: PS Black
  - 1.2 Top Cover Tape: PET  
20-80g(Peel Speed 300mm/Minute)
  - 1.3 Taping Reel: Plastic



Carton L\*W\*H=405\*405\*320

P/N	REEL	CARTON	
124A-92A03	270PCS	810PCS	
124A-92A13	270PCS	810PCS	
UNLESS OTHERWISE SPECIFIED TOLERANCE			
UNIT:	DECIMAL	LINEAR	ANGLES
mm	X.	±0.50	±5°
	X.X	±0.25	±3°
	X.XX	±0.12	±1°
 www.attend.com.tw			
DRAWN	Fros	2019/06/10	DRAWN NAME:
CHECKED	Tim	2019/06/10	DDR4 SODIMM Socket, Horizontal 9.2H, G/F, Reel, Solder Latch
APPROVED	Ken	2019/06/10	PRODUCT NO. SEE TABLE
SCALE	SHEET	SIZE	FILE NAME
1/1	1/1	A4	124A-92AX3_D_1