

REV.	DESCRIPTION	DRAWN	DATE
1	INITIAL RELEASE	FROS	2016/03/18
2	ECR231005001	TIM	2023/10/05

Notes:

Characterization Description:

1. RJ45 1000 Transformer Jack With Transformer Impedance Resistor/High Voltage Capacitor.
2. Size Same As RJ-45 Modular Jack To Save PCB Space.
3. Reduce EMI Radiation, Improve EMI Performance.
4. Designed For Network Interface Card Application.
5. Designed To Meet IEEE 802.3u Requirement.

Electrical Specifications:

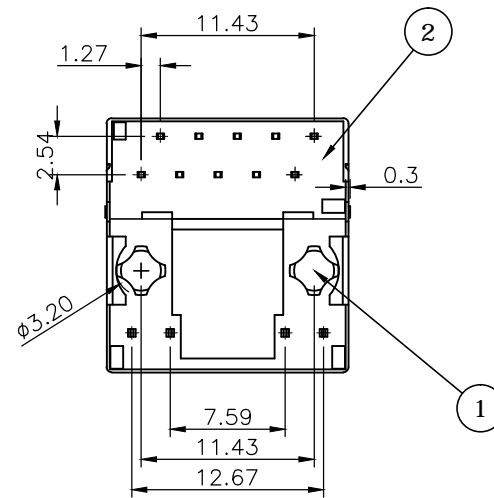
1. Inductance at 100KHz, 100mV 8mADC Bias: 350uH Min.
2. Leakage Inductance 0.4uH Max. at 100KHz 100mV
3. Insertion Loss: 1.1dB Max. at 1 to 100MHz
4. Return Loss: 18dB Min. at 1 to 30MHz
16dB Min. at 30 to 60MHz
12dB Min. at 60 to 80MHz
5. Cross Talk: 1 to 100MHz 30dB Min.
6. Common Mode Rejection: 30dB Min. at 1 to 100MHz
7. Isolation Voltage at 60Hz: 1500Vrms (Input to Output) 60 Seconds

Mechanical:

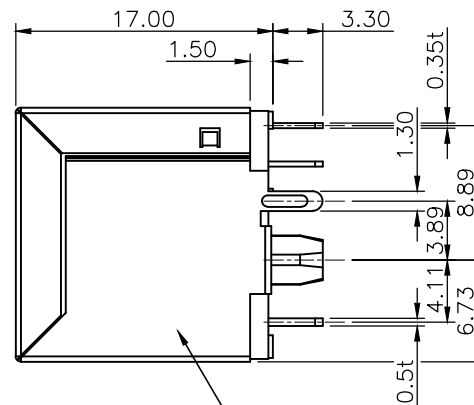
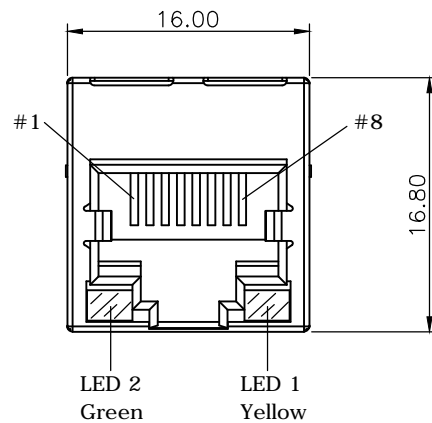
1. Operating Life : 750 Cycles Min.

Environmental:

1. Storage: -40°C to +85°C.
 2. Operation: -40°C to +85°C.
 3. Soldering Temperature: 260±5°C, 10 Seconds
- Mates With Modular Plug Conforming To TIA-1096-A



Bottom View



3	SHELL	Brass C2680 0.2t, Nickel plating
2.3	PCBA	FR-4, 0.5t
2.2	CONTACT	Phosphor Bronze C5210 0.35t, 5u" Gold plating over Nickel
2.1	INSULATOR	Zytel HTNFR52, UL94V-0, Black
2	INSERT	Assembly
1	HOUSING	Zytel HTNFR52, UL94V-0, Black

UNLESS OTHERWISE SPECIFIED TOLERANCE

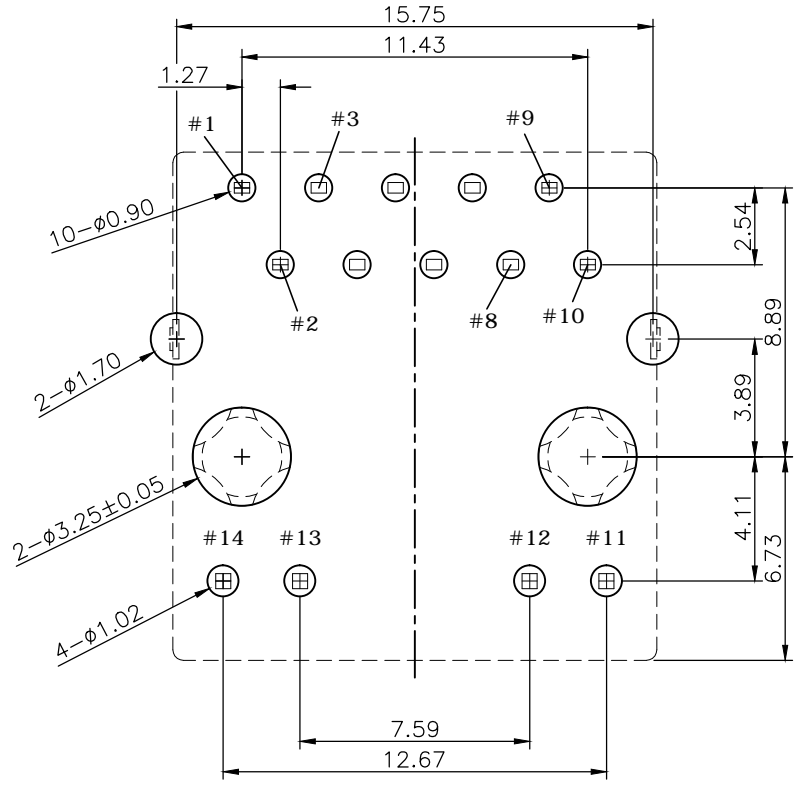
UNIT:	DECIMAL	LINEAR	ANGLES
mm	X.	±0.50	±5°
	X.X	±0.25	±3°
	X.XX	±0.12	±1°



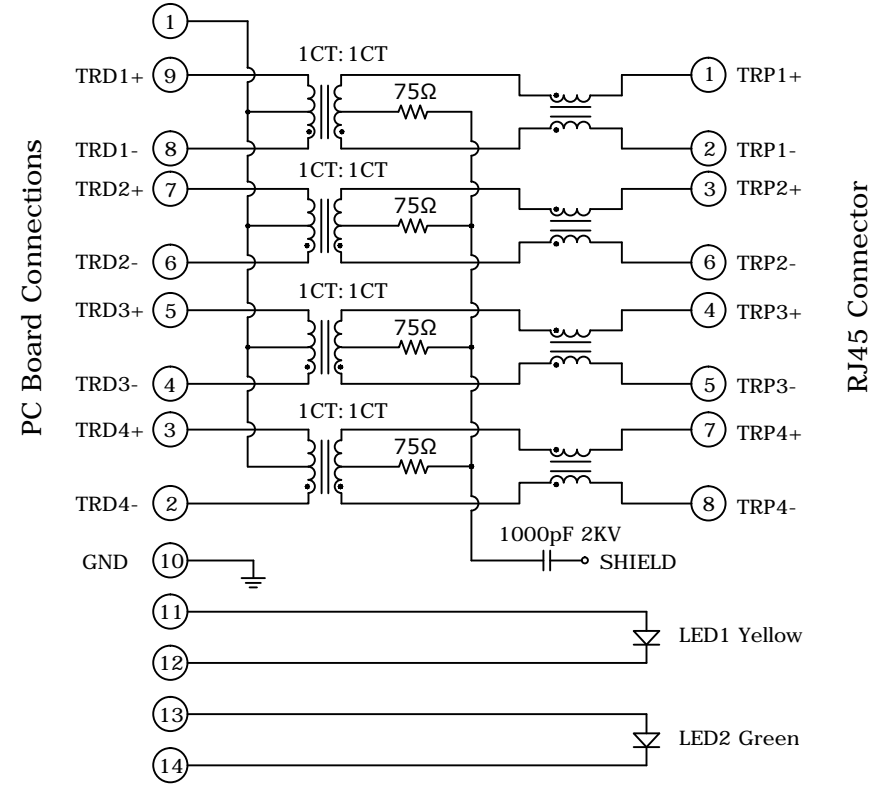
WWW.ATTEND.COM.TW

DRAWN	Fros	2016/03/18	DRAWN NAME:	RJ45 Jack Magnetic Giga Type 1x1 Port, Vertical, with LED, 5u"	
CHECKED	Amy	2016/03/18	PRODUCT NO.	213B-11CBA	
APPROVED	Ken	2016/03/18	FILE NAME	213B-11CBA_B_2	
SCALE	2/1	SHEET	1/2	SIZE	A4


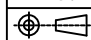
REV.	DESCRIPTION	DRAWN	DATE
	see sheet one		



Recommended Layout (Top View)
General Tolerance: ±0.1mm



Schematic: GIGA (Type3)

UNLESS OTHERWISE SPECIFIED TOLERANCE				 WWW.ATTEND.COM.TW		
UNIT:	DECIMAL	LINEAR	ANGLES			
mm	X.	±0.50	±5°			
	X.X	±0.25	±3°			
	X.XX	±0.12	±1°			
DRAWN	Fros	2016/03/18	DRAWN NAME:			
CHECKED	Amy	2016/03/18	RJ45 Jack Magnetic Giga Type 1x1 Port, Vertical, with LED, 5u"			
APPROVED	Ken	2016/03/18	PRODUCT NO.	213B-11CBA		
	SCALE	SHEET	SIZE	FILE NAME		
	4/1	2/2	A4	213B-11CBA_B_2		