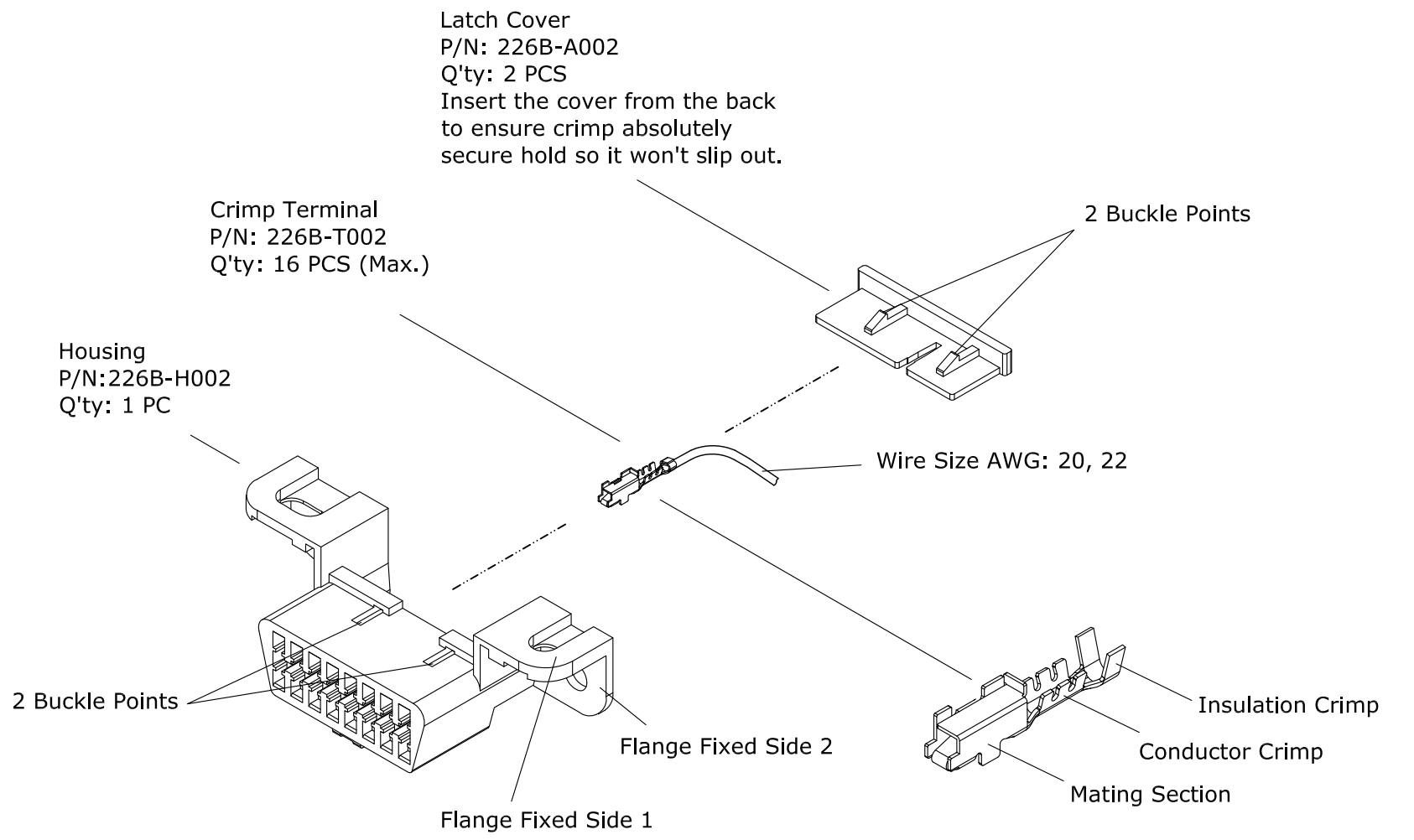

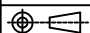
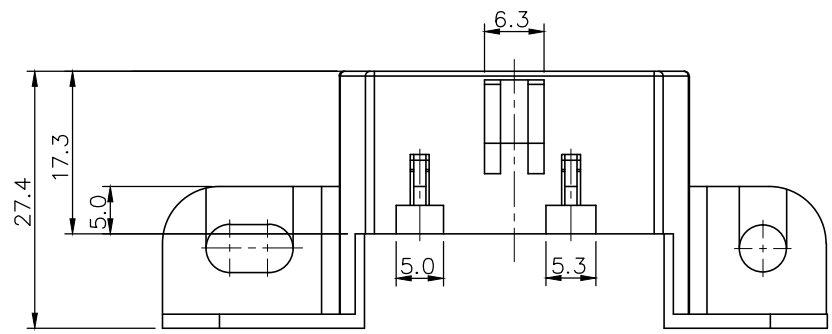
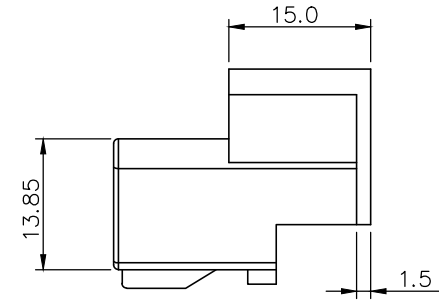
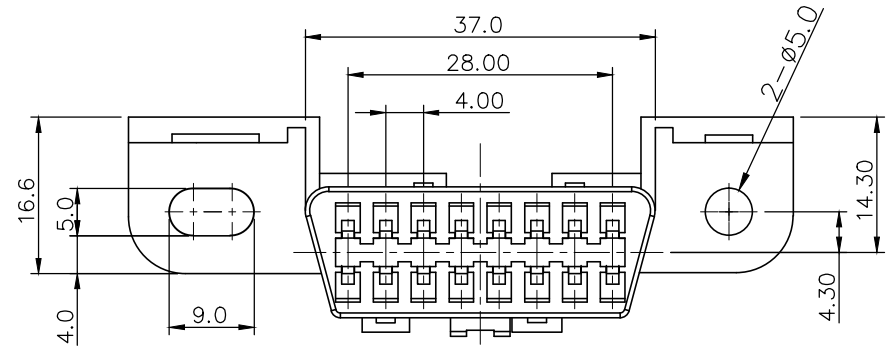
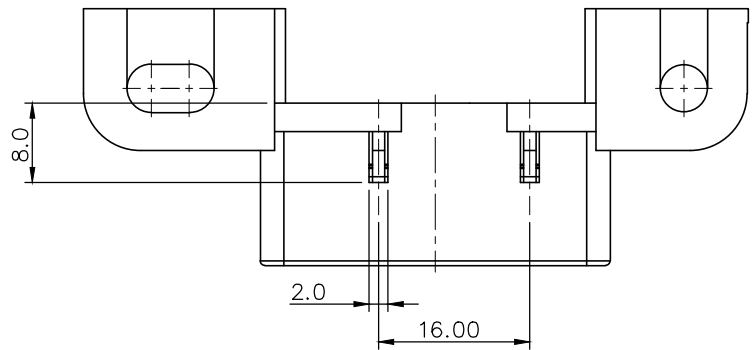



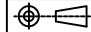
REV.	DESCRIPTION	DRAWN	DATE
1	INITIAL RELEASE	TIM	2019/03/15



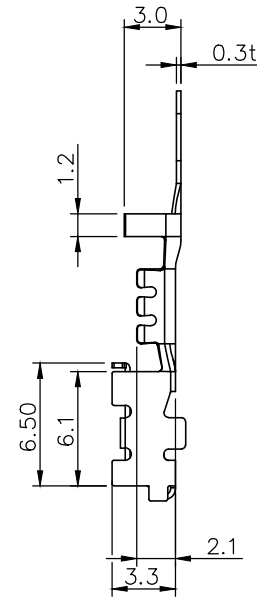
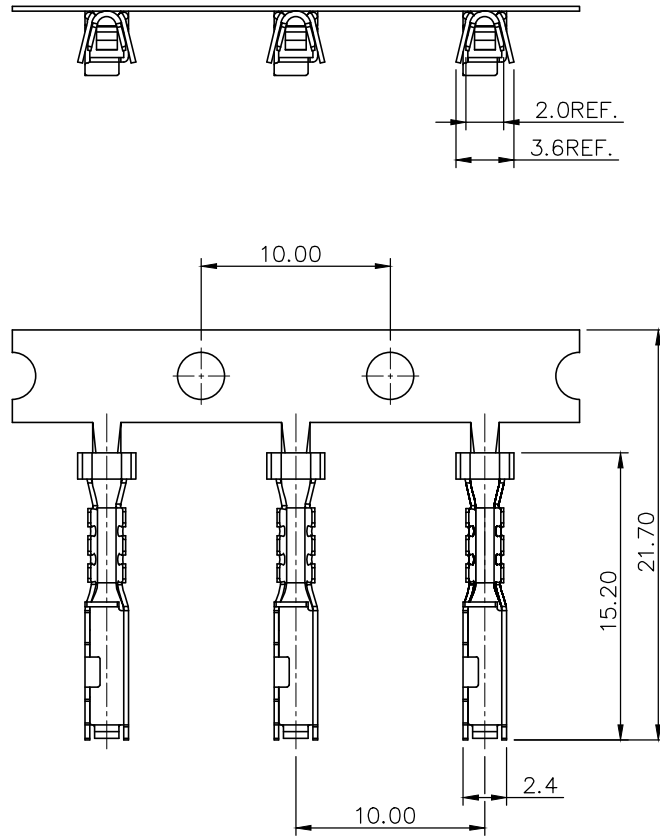
UNLESS OTHERWISE SPECIFIED TOLERANCE					
UNIT:	DECIMAL	LINEAR	ANGLES		
mm	X.	±0.50	±5°	www.attend.com.tw	
	X.X	±0.25	±3°		
	X.XX	±0.12	±1°		
DRAWN	Tim	2019/03/15	DRAWN NAME:		
CHECKED	Fros	2019/03/15	OB2 Type A Female, Flange Mount Crimp, Latch Blue		
APPROVED	Ken	2019/03/15	PRODUCT NO.		
	SCALE 1:1	SHEET 1/1	SIZE A4	FILE NAME	226B-Flange

REV.	DESCRIPTION	DRAWN	DATE
1	INITIAL RELEASE	TIM	2019/03/15



1	HOUSING	PA66, UL94V-0, Black	
NO.	PART NAME	DESCRIPTION	
UNLESS OTHERWISE SPECIFIED TOLERANCE			
UNIT:	DECIMAL	LINEAR	ANGLES
mm	X.	±0.50	±5°
	X.X	±0.25	±3°
	X.XX	±0.12	±1°
www.attend.com.tw			
DRAWN	Tim	2019/03/15	
CHECKED	Fros	2019/03/15	
APPROVED	Ken	2019/03/15	
DRAWN NAME:		OB2 Housing, Type A Female Flange Mount, Nylon, Black	
PRODUCT NO.		226B-H002	
FILE NAME		226B-H002_B_1	
	SCALE	SHEET	SIZE
	1.25	1/1	A4

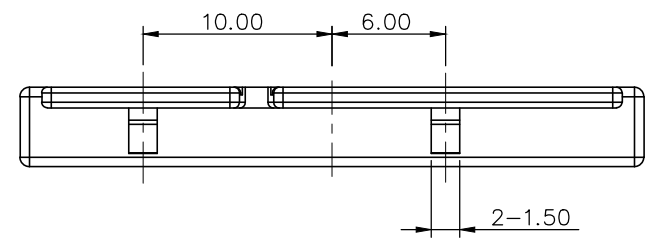
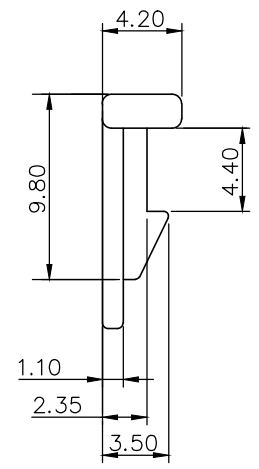
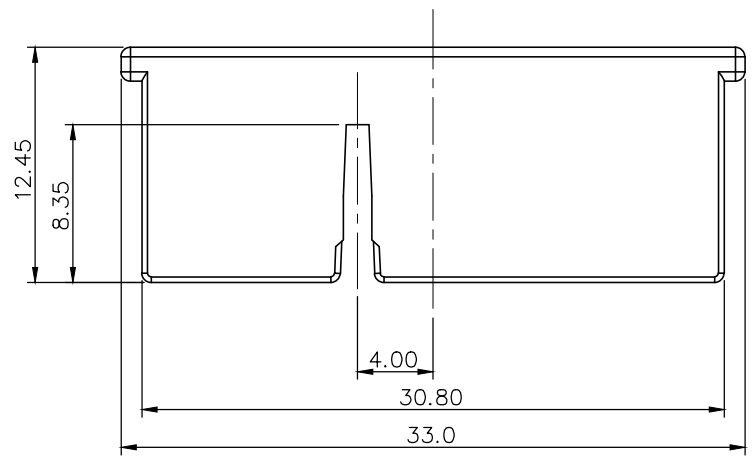
REV.	DESCRIPTION	DRAWN	DATE
1	INITIAL RELEASE	TIM	2019/03/15



1	TERMINAL	Brass, Matte Tin plating over Nickel		
NO	PART NAME	DESCRIPTION		
UNLESS OTHERWISE SPECIFIED TOLERANCE				
UNIT:	DECIMAL	LINEAR	ANGLES	
mm	X.	±0.50	±5°	
	X.X	±0.25	±3°	
	X.XX	±0.12	±1°	
www.attend.com.tw				
DRAWN	Tim	2019/03/15	DRAWN NAME:	
CHECKED	Fros	2019/03/15	OBD2 Terminal, Female Pin, Crimp PBS, Tin, 18-22AWG	
APPROVED	Ken	2019/03/15	PRODUCT NO.	226B-T002
	SCALE	SHEET	SIZE	FILE NAME
	2.5	1/1	A4	226B-T002_B_1



REV.	DESCRIPTION	DRAWN	DATE
1	INITIAL RELEASE	TIM	2019/03/15



1	HOUSING	PA66, UL94V-0, Blue		
NO	PART NAME	DESCRIPTION		
UNLESS OTHERWISE SPECIFIED TOLERANCE				
UNIT:	DECIMAL	LINEAR	ANGLES	
mm	X.	±0.50	±5°	
	X.X	±0.25	±3°	
	X.XX	±0.12	±1°	
			www.attend.com.tw	
DRAWN	Tim	2019/03/15	DRAWN NAME: OBD2 Latch Cover, Nylon, Blue	
CHECKED	Fros	2019/03/15		
APPROVED	Ken	2019/03/15	PRODUCT NO. 226B-A002	
	SCALE 2.5	SHEET 1/1	SIZE A4	FILE NAME 226B-A002_B_1

