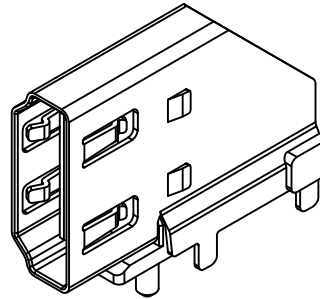
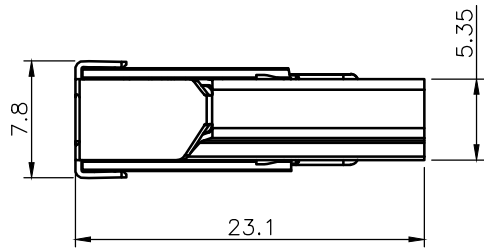
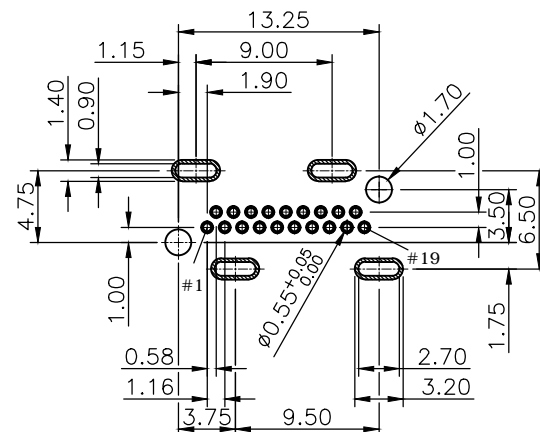
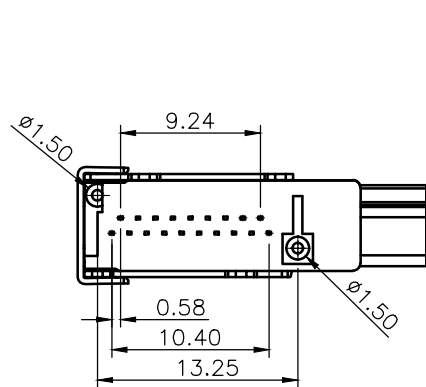
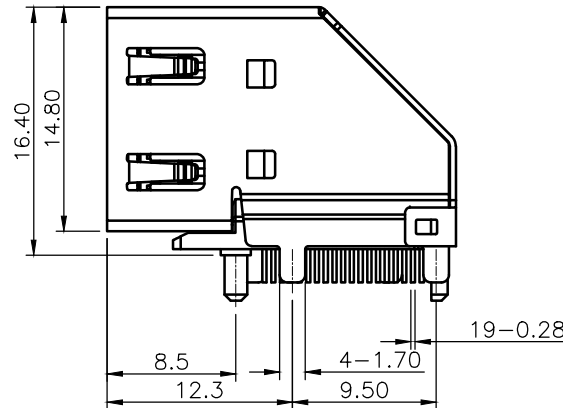
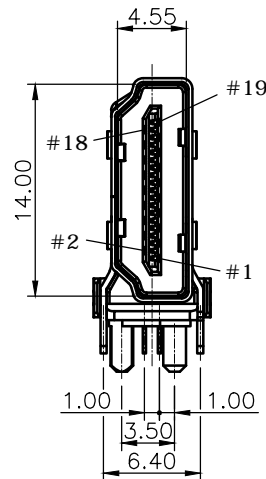
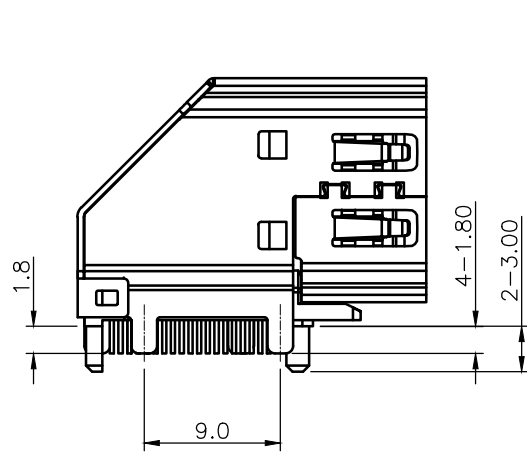


REV.	DESCRIPTION	DRAWN	DATE
1	INITIAL RELEASE	TIM	2021/08/25



SPECIFICATION:

1. ELECTRICAL
 - 1.1 Current Rating: 0.5A per pin
 - 1.2 Contact Resistance: 30mΩ
 - 1.3 Insulation Resistance: 100MΩ
 - 1.4 Dielectric Withstanding Voltage: 500VAC
2. MECHANICAL
 - 2.1 Durability: 10,000 Cycle
 - 2.2 Insertion Force: 4.5kgf max.
 - 2.3 Extraction Force: 1.0~4.0kgf



RECOMMENDED LAYOUT (TOP VIEW)
GENERAL TOLERANCE: ±0.05mm

3	SHELL	Brass, Nickel Plated							
2	CONTACT	Brass, Gold plating over Nickel Tin plating on solder tail							
1	HOUSING	LCP UL94V-0 Black							
NO. PART NAME		DESCRIPTION							
UNLESS OTHERWISE SPECIFIED TOLERANCE									
UNIT:	DECIMAL	LINEAR	ANGLES						
mm	X.	±0.50	±5°						
	X.X	±0.25	±3°						
	X.XX	±0.12	±1°						
DRAWN			Tim	2021/08/25	DRAWN NAME: HDMI Connector, Flank DIP Type w/o Flange, G/F, Tray				
CHECKED			Fros	2021/08/25					
APPROVED			Ken	2021/08/25	PRODUCT NO. 206A-DA01				
SCALE			2/1	SHEET	1/2	SIZE	A4	FILE NAME	206A-DA01_B_1



WWW.ATTEND.COM.TW