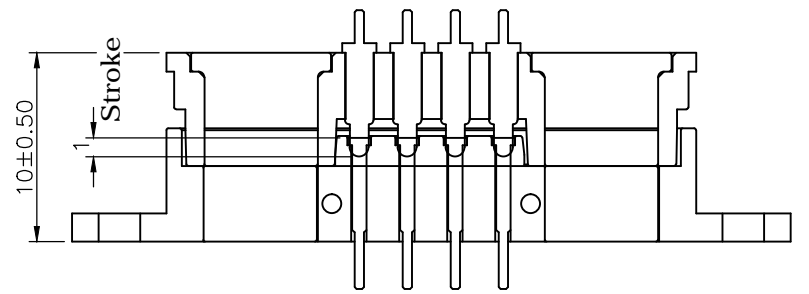
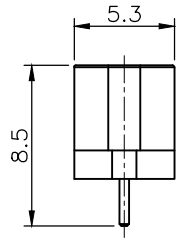
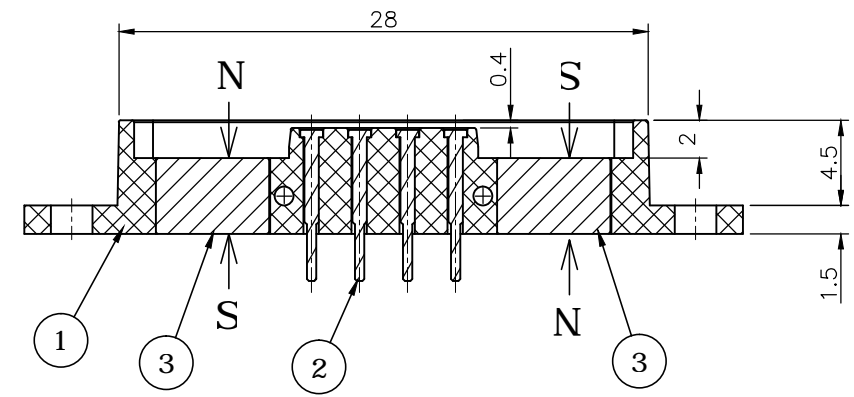
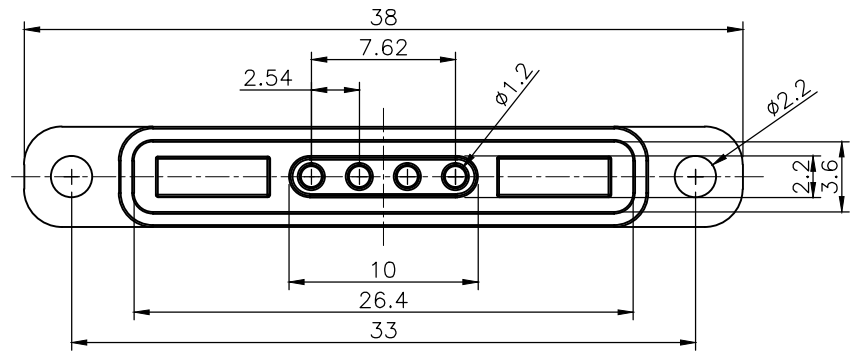


REV.	DESCRIPTION	DRAWN	DATE
1	INITIAL RELEASE	FROS	2022/03/10

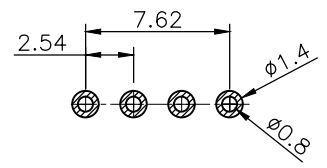
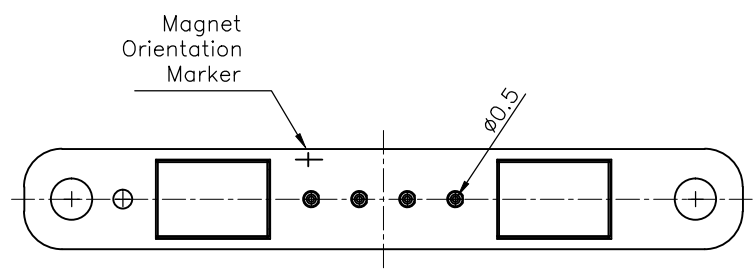
SPECIFICATION:

1. Contact Resistance: 50mΩ
2. Operating Temperature Range: -30°C~+60°C
3. Soldering by manual only

303D-L280M04	2A	12VDC	500g
Match P/N	Current	Voltage	Magnetic Adsorption Force



ASSEMBLY



Recommended layout
General tolerance: ±0.05mm

4	GLUE	LSR-67						
3	MAGNET	N52 NdFeB, Nickel plating						
2	PIN	Lead Free Brass, 5u" Gold plating over Nickel						
1	HOUSING	HTN, UL94V-0, Black						
NO.	PART NAME	DESCRIPTION						
UNLESS OTHERWISE SPECIFIED TOLERANCE								
UNIT:	SIZE	LINEAR	ANGLES					
	mm	0-6	±0.1	±2°				
		6-30	±0.2					
30-150	±0.3							
DRAWN		Fros	2022/03/10	DRAWN NAME: Pogo Pin Magnet Type, Machine Pin 4P 38.0x5.3x8.5h, 5u", 500g, 5A, black				
CHECKED		Tim	2022/03/10					
APPROVED		Ken	2022/03/10	PRODUCT NO. 303D-L380F04				
SCALE		2.5	SHEET	1/1	SIZE	A4	FILE NAME	303D-L380F04_B_1



www.attend.com.tw