

4

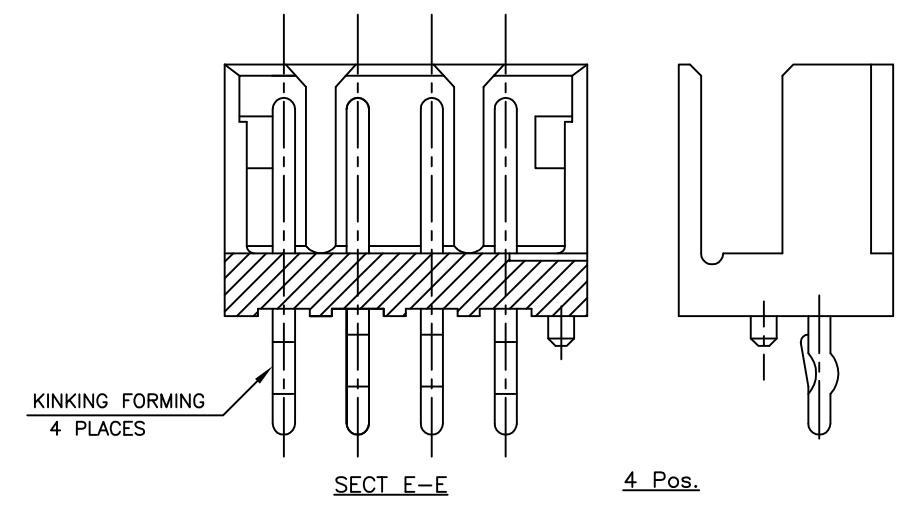
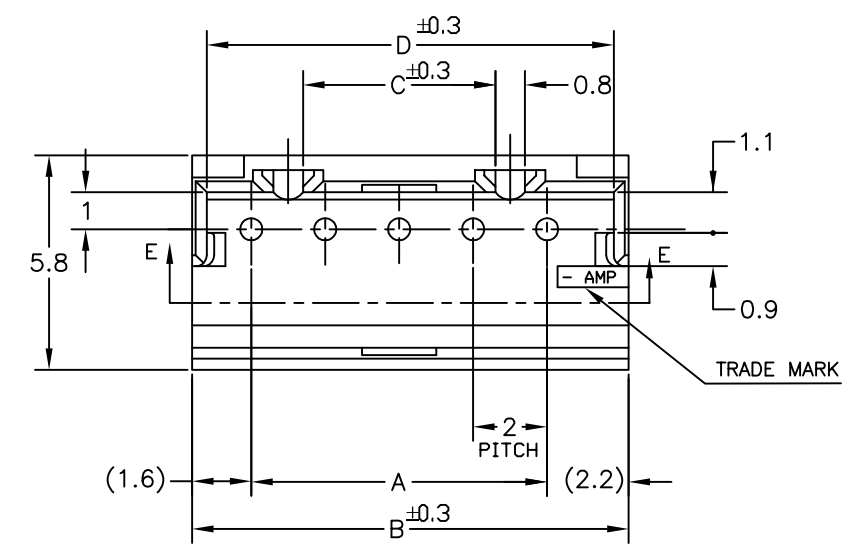
3

2

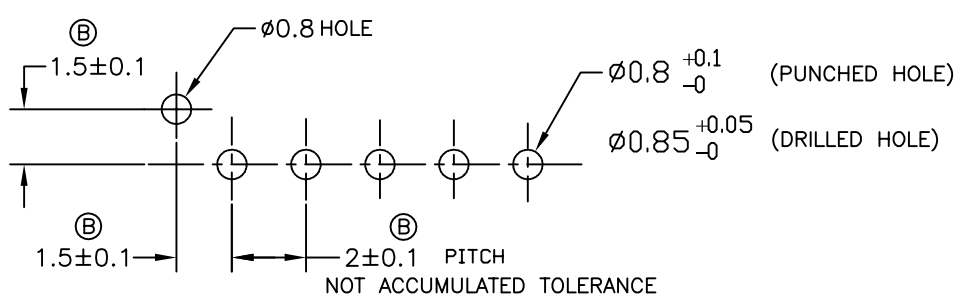
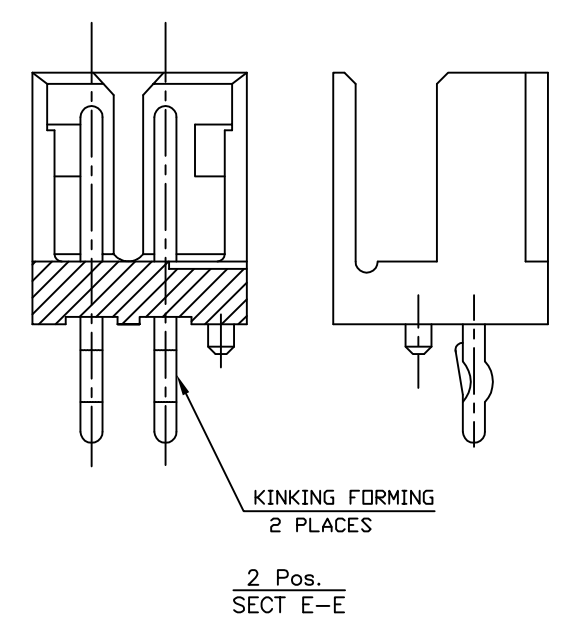
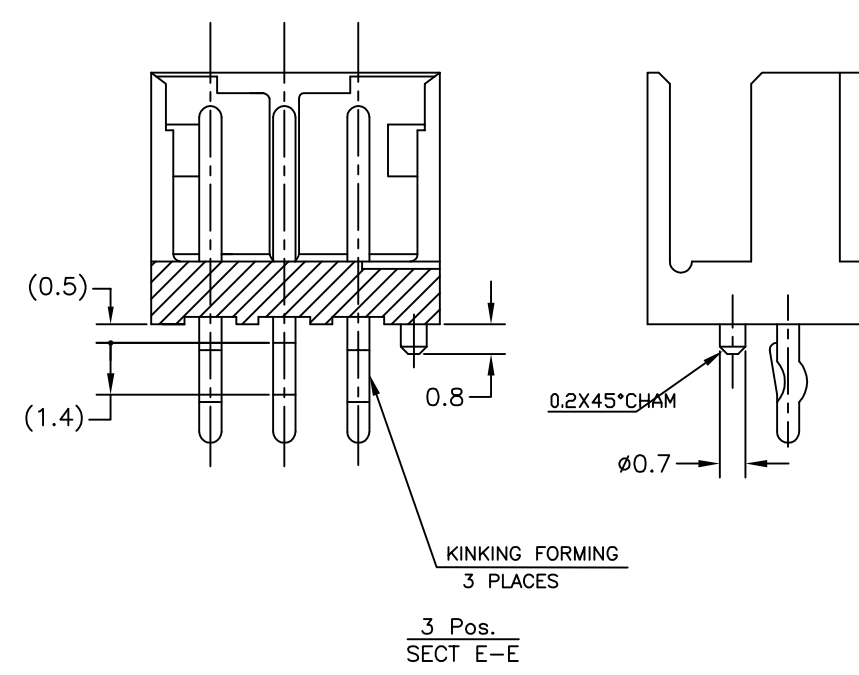
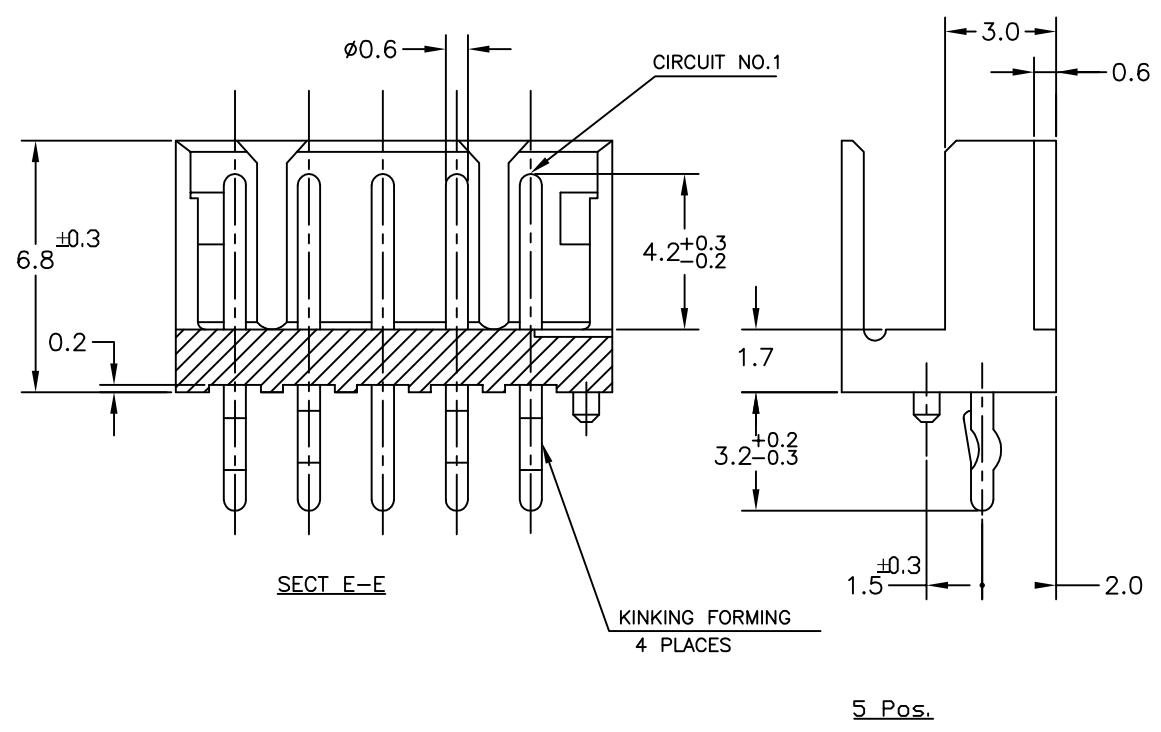
1

THIS DRAWING IS UNPUBLISHED. RELEASED FOR PUBLICATION
 © COPYRIGHT - By - ALL RIGHTS RESERVED.


LOC	DIST	REVISIONS					
ES	00	P	LTR	DESCRIPTION	DATE	DWN	APVD
		B2		ECR-14-006619	12MAY2014	T.Q	W.H



NOTES:
 1. MATERIAL: HOUSING - NYLON 66 (UL94V-0)
 POST - TIN BRASS



RECOMMENDABLE PCB LAYOUT
 (PCB THK: 0.8-1.6)

THIS DRAWING IS A CONTROLLED DOCUMENT.		DWN	S.XU	06NOV03	 TE Connectivity	
DIMENSIONS: mm		CHK	S.YAO	06NOV03		
TOLERANCES UNLESS OTHERWISE SPECIFIED: ±0.2		APVD	T. SASAKI	06NOV03		
0-PLC ± 1-PLC ± 2-PLC ± 3-PLC ± 4-PLC ± ANGLES ±		PRODUCT SPEC	NAME			
MATERIAL: SEE NOTE		FINISH: SEE NOTE		108-60016		POST HEADER ASS'Y POLARIZE TYPE (BOX-V TYPE) (AMP CT CONNECTOR 2mm PITCH)
CUSTOMER DRAWING		SIZE	A3	CAGE CODE	00779	
		WEIGHT	-		DRAWING NO	C=292251
		SCALE		5:1	SHEET	1 of 2
		REV		B2		

4

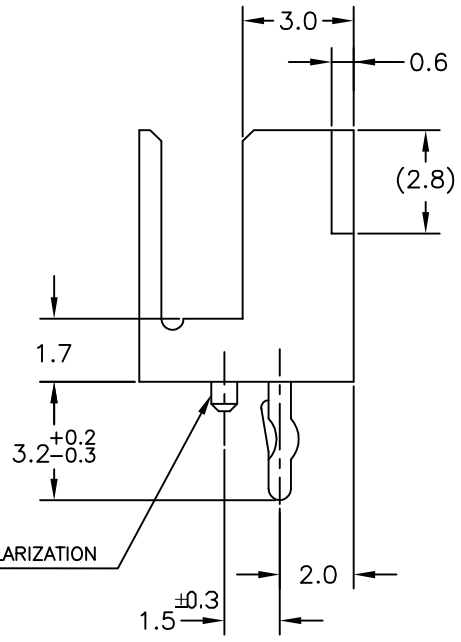
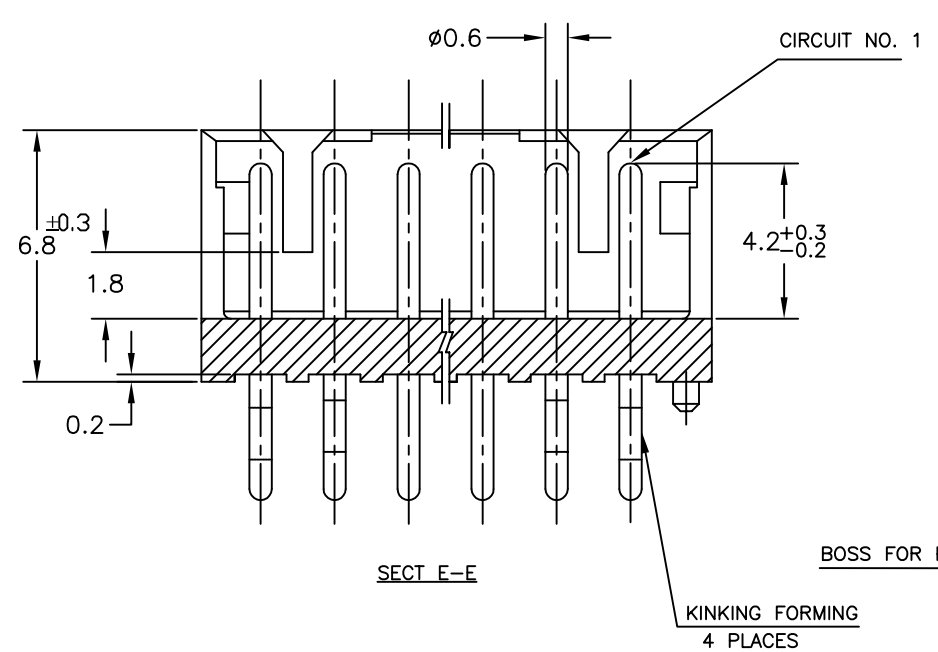
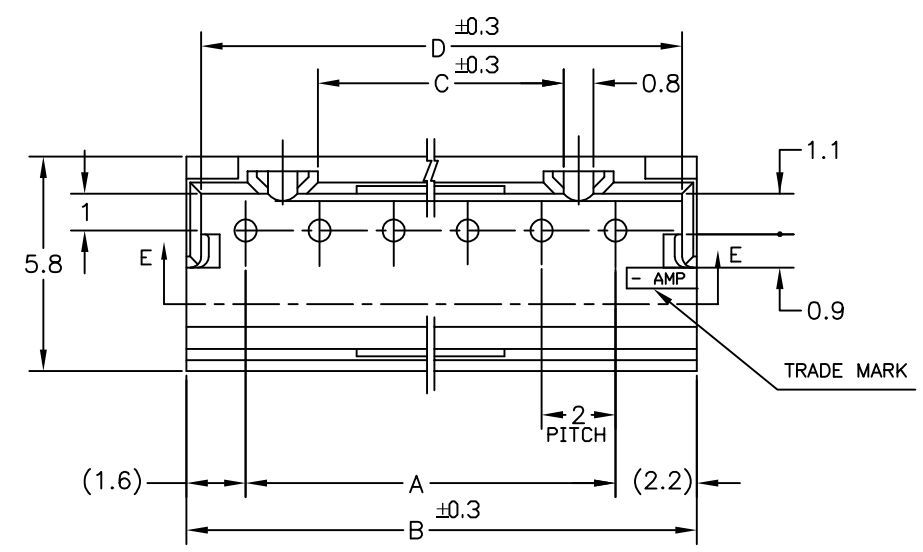
3

2

1

THIS DRAWING IS UNPUBLISHED. RELEASED FOR PUBLICATION
 © COPYRIGHT - By - ALL RIGHTS RESERVED.

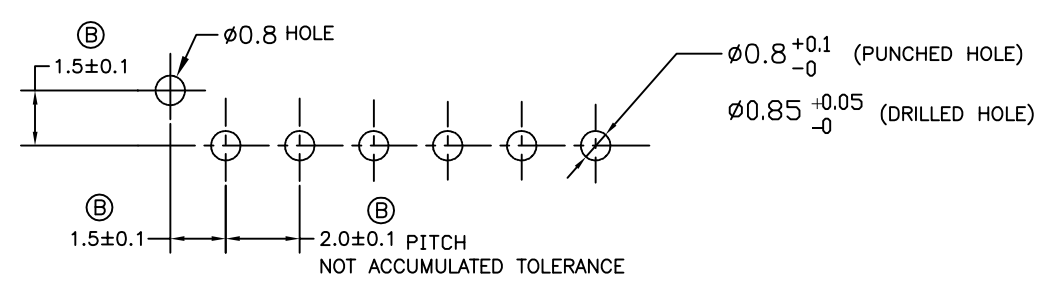
LOC	DIST	REVISIONS					
ES	00	P	LTR	DESCRIPTION	DATE	DWN	APVD
		-		SEE SHEET 1	-	-	-



NOTES:

1. MATERIAL: HOUSING - NYLON 66 (UL94V-0)
 POST - TIN BRASS

	1-292251-5	15	28	31.8	25.2	31.0
	1-	-4	14	26	29.8	23.2
	1-	-3	13	24	27.8	21.2
	1-	-2	12	22	25.8	19.2
	1-	-1	11	20	23.8	17.2
	1-	-0	10	18	21.8	15.2
		-9	9	16	19.8	13.2
		-8	8	14	17.8	11.2
		-7	7	12	15.8	9.2
		-6	6	10	13.8	7.2
		-5	5	8	11.8	5.2
2-292251-4		-4	4	6	9.8	3.2
		-3	3	4	7.8	0
2-292251-2	292251-2	2	2	5.8	0	5.0
BLUE	NATURAL	Pos.	A	B	C	D
PART NO.						



RECOMMENDABLE PCB LAYOUT
 (PCB THK: 0.8-1.6)

THIS DRAWING IS A CONTROLLED DOCUMENT.		DWN	-	TE Connectivity			
DIMENSIONS: mm		CHK	-				
TOLERANCES UNLESS OTHERWISE SPECIFIED: ±0.2		APVD	-	NAME			
6 PLC ±		PRODUCT SPEC	-	POST HEADER ASS'Y POLARIZE TYPE (BOX-V TYPE)			
1 PLC ±		APPLICATION SPEC	-	(AMP CT CONNECTOR 2mm PITCH)			
2 PLC ±		WEIGHT	-	SIZE	CAGE CODE	DRAWING NO	RESTRICTED TO
3 PLC ±		CUSTOMER DRAWING	-	A3	00779	C-292251	-
4 PLC ±		SCALE	5:1	SHEET		2 OF 2	REV
ANGLES ±						B2	
FINISH							