

REV.	DESCRIPTION	DRAWN	DATE
1	INITIAL RELEASE	FROS	2015/04/16
2	CORRECTED	FROS	2015/11/11

**SPECIFICATION:**

**1. ELECTRICAL**

- 1.1 Current Rating: 1.5A (USB Section)  
3.0A (Powered Section)

**1.2 Voltage Rating:**

USB: 5.25V DC  
Powered: 12V

- 1.3 Contact Resistance: 40mΩ Max.
- 1.4 Insulation Resistance: 1000MΩ at 500V DC
- 1.5 Dielectric Withstanding Voltage: 750V AC

**2. MECHANICAL**

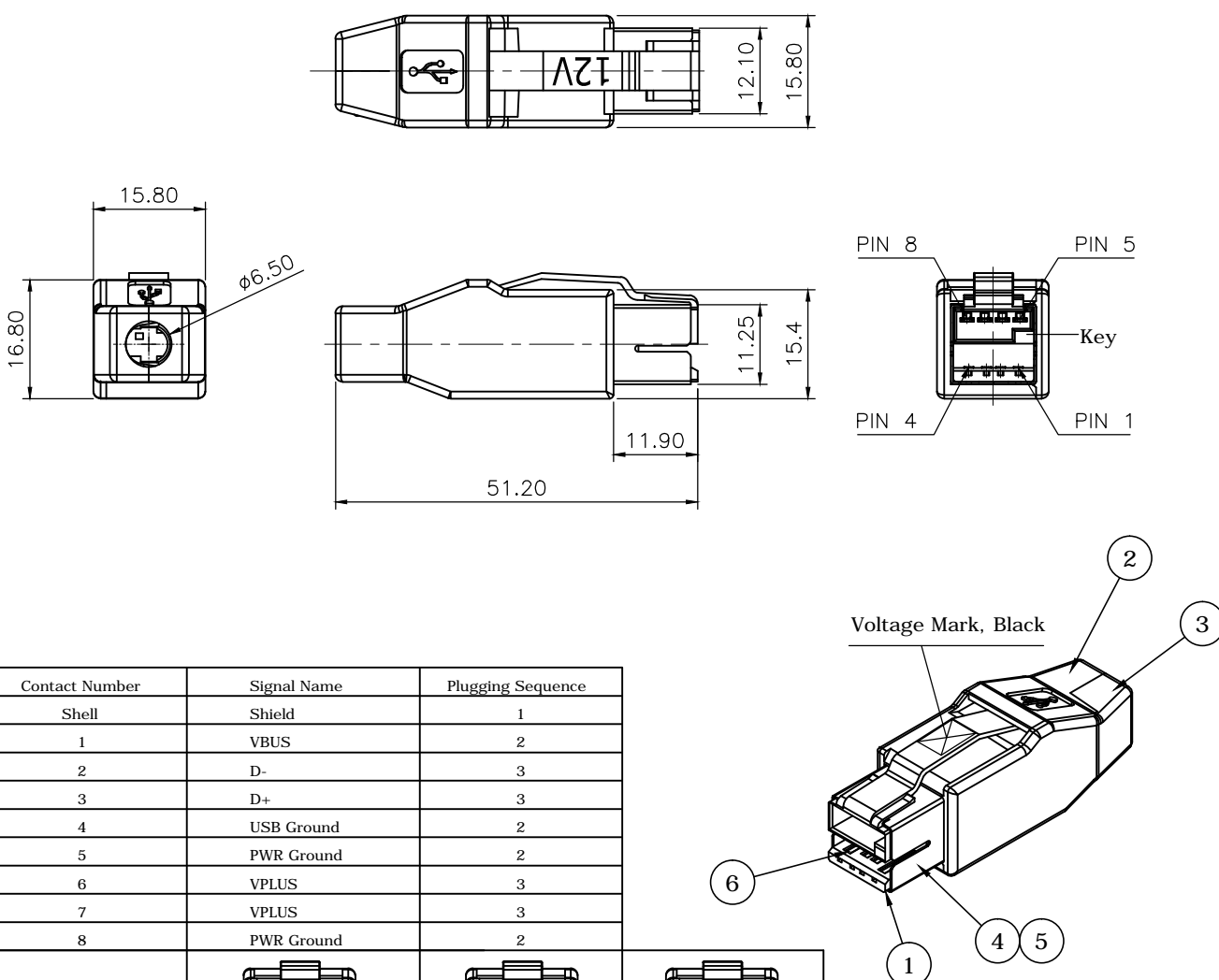
- 2.1 Durability: 1,500 Cycle
- 2.2 Mating Force: 67N max.
- 2.3 UN-Mating Force: 10N max.

**3. ENVIRONMENTAL**

- 3.1 Operating temperature range: -20°C~+85°C
- 3.2 Storage temperature range: -20°C~+85°C

**4. SOLDER ABILITY**

- 4.1 Recommend Temperature: 245°C



Contact Number	Signal Name	Plugging Sequence
Shell	Shield	1
1	VBUS	2
2	D-	3
3	D+	3
4	USB Ground	2
5	PWR Ground	2
6	VPLUS	3
7	VPLUS	3
8	PWR Ground	2

Insulator Key Position	Key 3	Key 1	Key 2
Voltage Rate	5V	12V	24V
Insulator Color	Black color	Green color	Red color

6	TERMINAL	PHOSPHOR BRONZE, GOLD 10u" MIN ON CONTACT AREA SHINE TIN 80u" MIN ON SOLDER TAILS UNDER-PLATED NICKEL OVER ALL 50u" MIN.
5	SHORT SHELL	PHOSPHOR BRONZE, TIN OVER ALL
4	LONG SHELL	PHOSPHOR BRONZE, TIN OVER ALL
3	BOTTOM COVER	ABS, BEIGE COVER
2	TOP COVER	ABS, BEIGE COVER
1	INSULATOR	NYLON 66, UL94V-0 <span style="border: 1px solid black; padding: 2px;">2</span>
NO.	PART NAME	DESCRIPTION

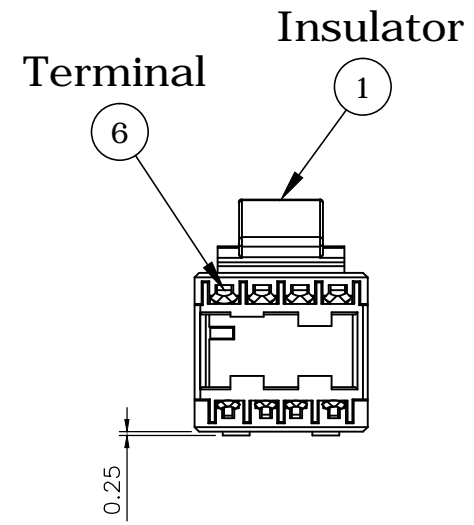
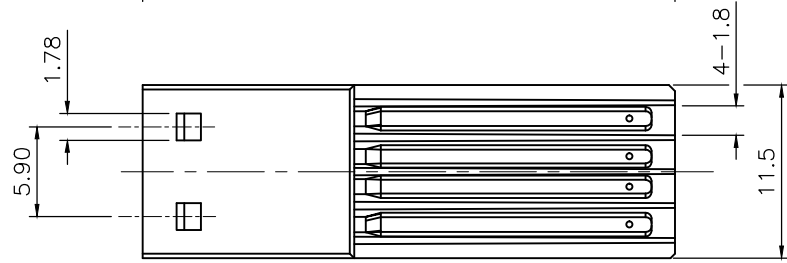
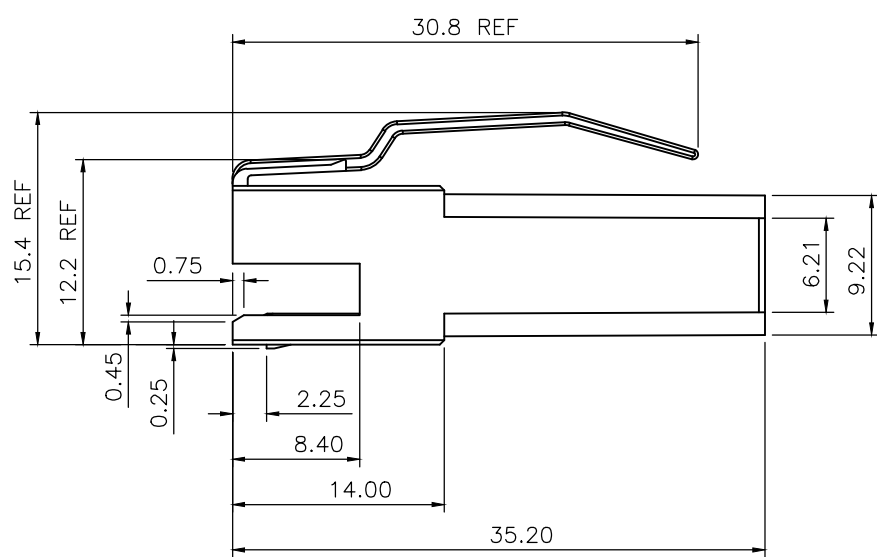
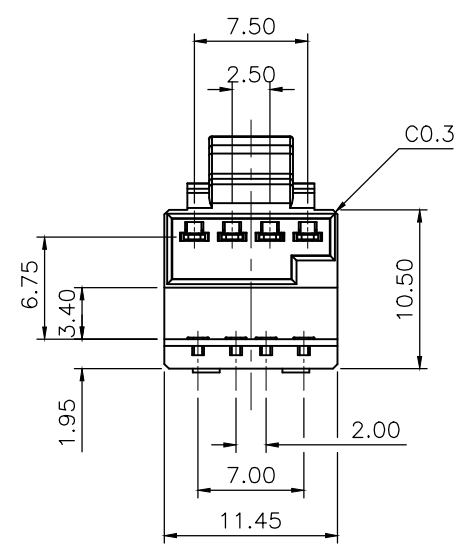
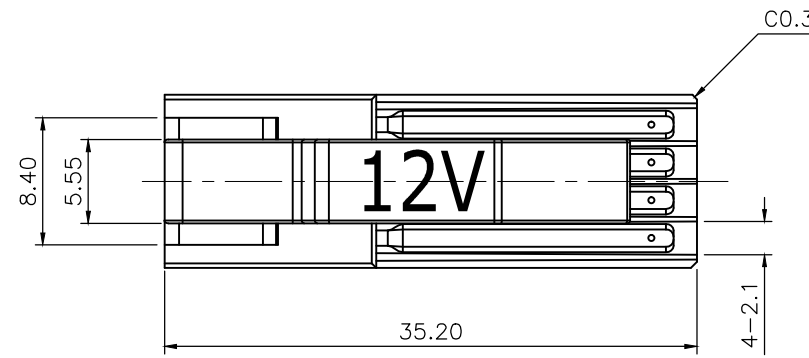
UNLESS OTHERWISE SPECIFIED TOLERANCE

UNIT:	DECIMAL	LINEAR	ANGLES
mm	X.X	±0.50	±5°
	X.XX	±0.25	±3°
	X.XXX	±0.12	±1°



DRAWN	Fros	2015/04/16	DRAWN NAME:	Fros	
CHECKED	Zola	2015/04/16	PRODUCT NO.	218A-12D01	
APPROVED	Albert	2015/04/16	FILE NAME	218A-12D01_B_2	
SCALE	1/1	SHEET	1/5	SIZE	A4

REV.	DESCRIPTION	DRAWN	DATE
	SEE SHEET ONE		



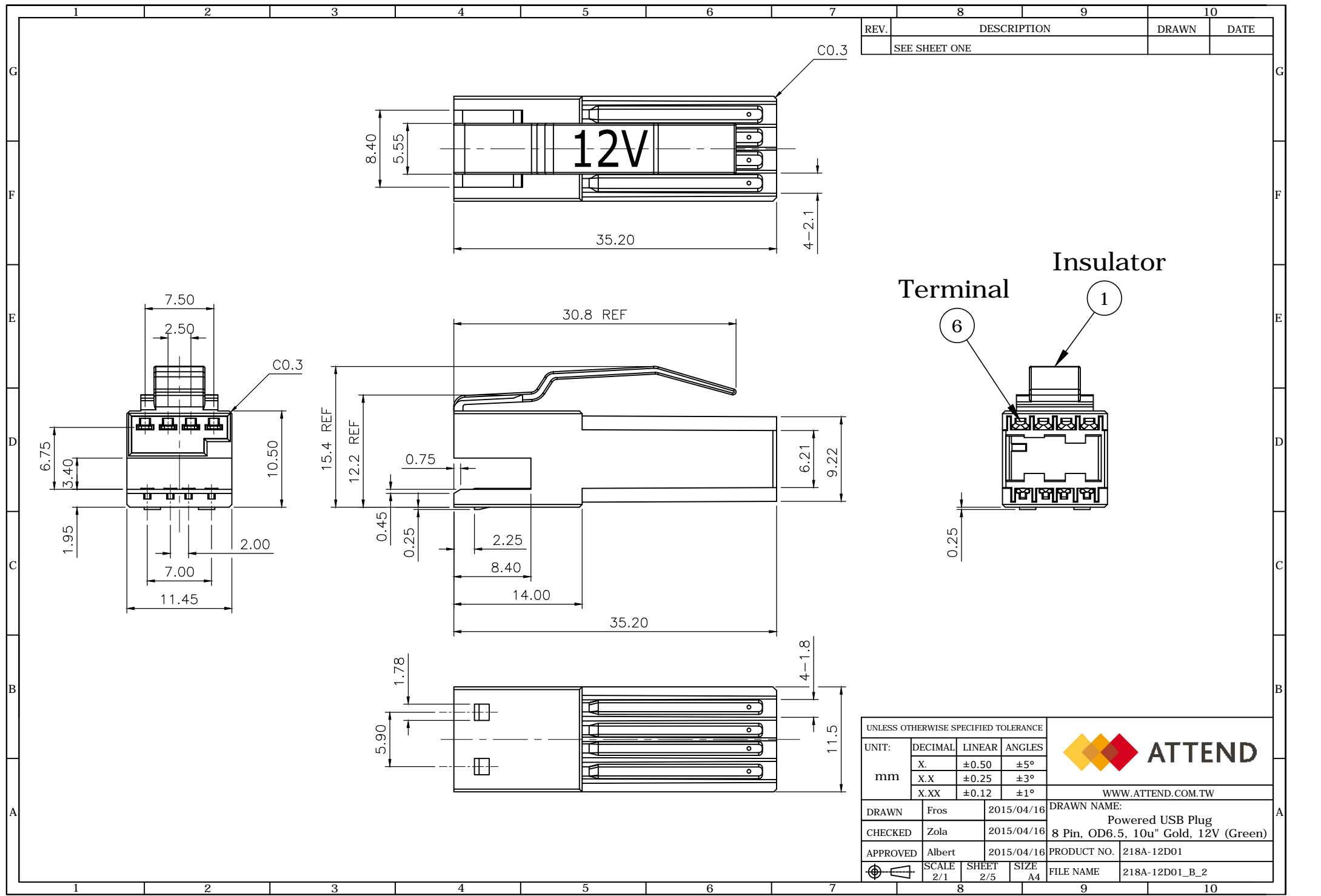
UNLESS OTHERWISE SPECIFIED TOLERANCE

UNIT:	DECIMAL	LINEAR	ANGLES
mm	X. ±0.50	X.X ±0.25	X.XX ±0.12
			±5°
			±3°
			±1°



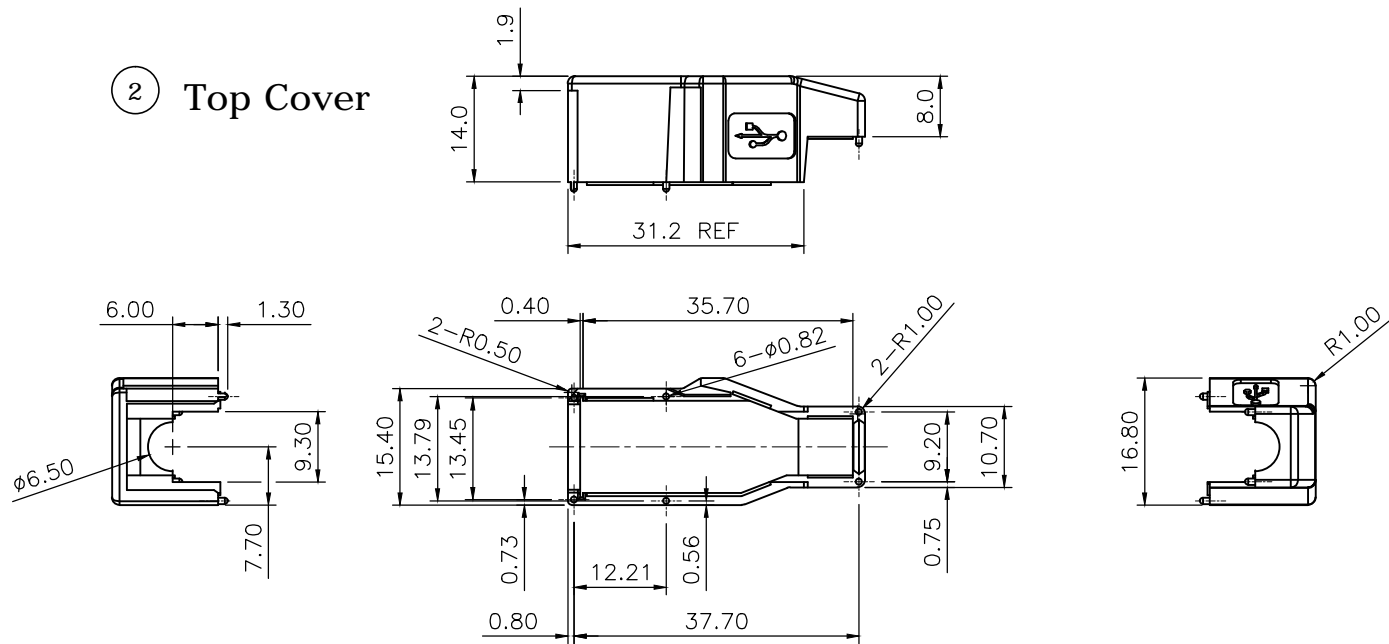
WWW.ATTEND.COM.TW

DRAWN	Fros	2015/04/16	DRAWN NAME:
CHECKED	Zola	2015/04/16	Powered USB Plug
APPROVED	Albert	2015/04/16	8 Pin, OD6.5, 10u" Gold, 12V (Green)
			PRODUCT NO. 218A-12D01
			FILE NAME 218A-12D01_B_2

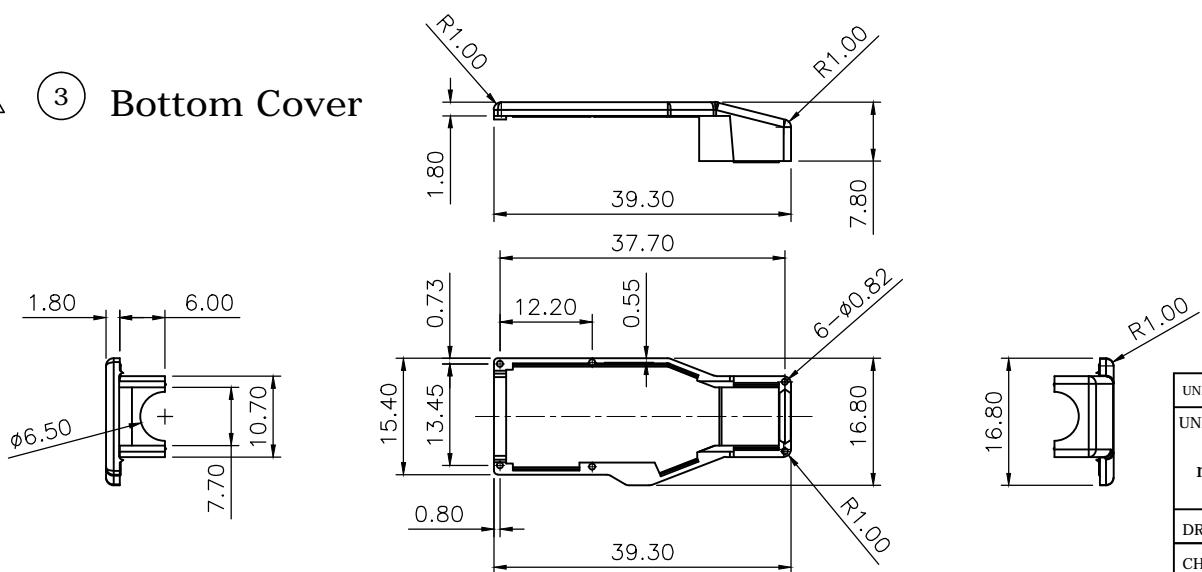



REV.	DESCRIPTION	DRAWN	DATE
	SEE SHEET ONE		

② Top Cover



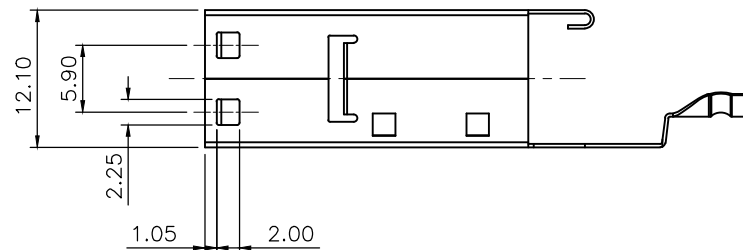
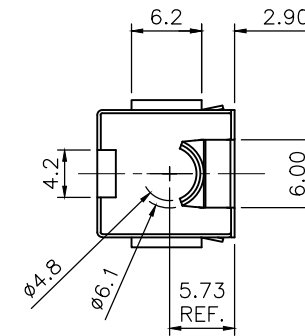
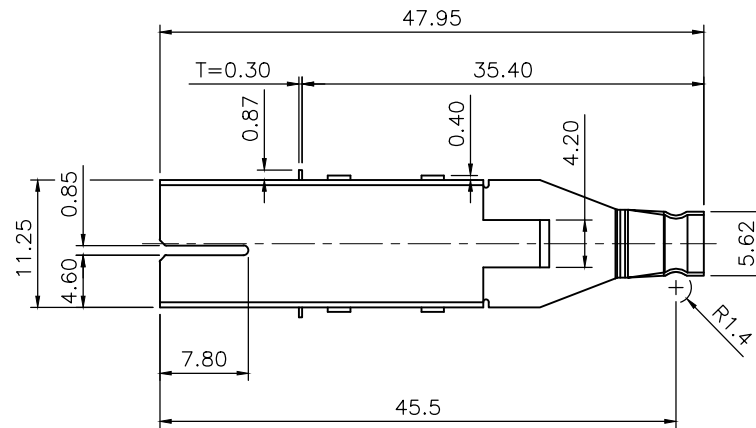
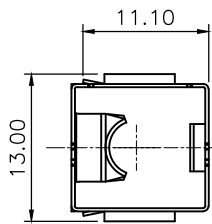
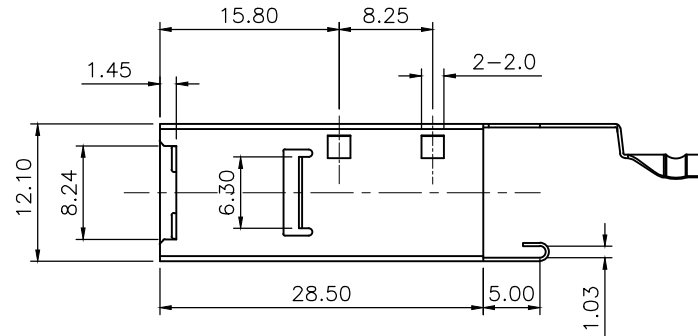
③ Bottom Cover



UNLESS OTHERWISE SPECIFIED TOLERANCE				 WWW.ATTEND.COM.TW
UNIT:	DECIMAL	LINEAR	ANGLES	
mm	X.	±0.50	±5°	
	X.X	±0.25	±3°	
	X.XX	±0.12	±1°	
DRAWN	Fros	2015/04/16	DRAWN NAME:	
CHECKED	Zola	2015/04/16	Powered USB Plug	
APPROVED	Albert	2015/04/16	8 Pin, OD6.5, 10u" Gold, 12V (Green)	
	SCALE	SHEET	SIZE	PRODUCT NO.
	2/1	3/5	A4	218A-12D01
			FILE NAME	218A-12D01_B_2

REV.	DESCRIPTION	DRAWN	DATE
	SEE SHEET ONE		

④ Long Shell



UNLESS OTHERWISE SPECIFIED TOLERANCE

UNIT:	DECIMAL	LINEAR	ANGLES
mm	X.	±0.50	±5°
	X.X	±0.25	±3°
	X.XX	±0.12	±1°



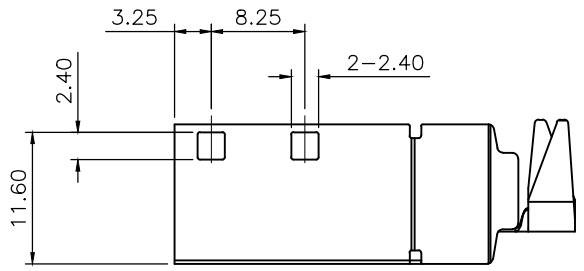
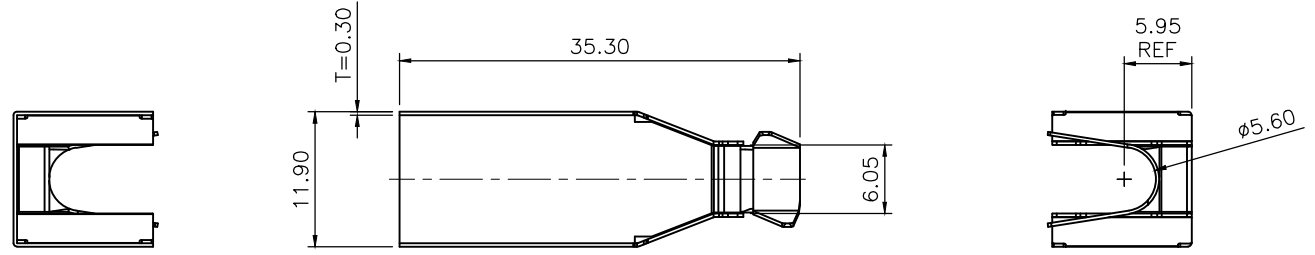
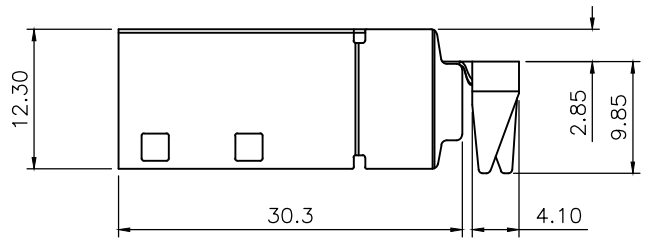
WWW.ATTEND.COM.TW



DRAWN	Fros	2015/04/16
CHECKED	Zola	2015/04/16
APPROVED	Albert	2015/04/16
SCALE	1.6/1	
SHEET	4/5	
SIZE	A4	

DRAWN NAME:	Powered USB Plug
	8 Pin, OD6.5, 10u" Gold, 12V (Green)
PRODUCT NO.	218A-12D01
FILE NAME	218A-12D01_B_2

REV.	DESCRIPTION	DRAWN	DATE
	SEE SHEET ONE		

⑤ Shot Shell



UNLESS OTHERWISE SPECIFIED TOLERANCE					
UNIT:	DECIMAL	LINEAR	ANGLES		
mm	X.	±0.50	±5°	DRAWN NAME: Powered USB Plug 8 Pin, OD6.5, 10u" Gold, 12V (Green)	
	X.X	±0.25	±3°		
	X.XX	±0.12	±1°		
DRAWN	Fros	2015/04/16	DRAWN NAME:		
CHECKED	Zola	2015/04/16	8 Pin, OD6.5, 10u" Gold, 12V (Green)		
APPROVED	Albert	2015/04/16	PRODUCT NO. 218A-12D01		
	SCALE 1.6/1	SHEET 5/5	SIZE A4	FILE NAME 218A-12D01_B_2	