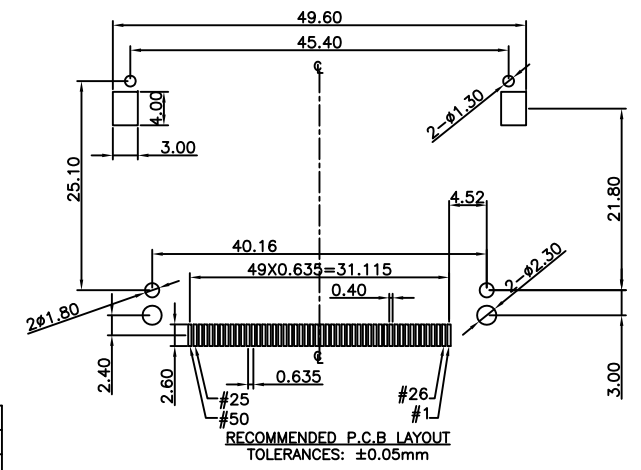


MATERIAL  
 Insulator: Thermal Plastic UL94V-0  
 Contacts: Copper Alloy  
 Mount Ear: Copper Alloy  
 CONTACT PLATING  
 Underplate: 50u"~100u" Nickel  
 Contact Area: 15u" Selective Gold  
 Solder Tails Area: 100u"~200u" Tin/Lead Free (Matte Tin)

101B-I A A 0-R  
 1 2 3 4  
 1.Type 3.Stand Off  
 T:Top Mount A:0mm  
 2.Contact Plating 4.RoHS  
 A:15u"Gold Plating

For SIP  
 (ST) For cmk/cpk

POWER	5.00mm	1,13,38,50
GENERAL	4.25mm	all other pins
DETECT	3.50mm	25,26
Pin type	Interface Dim. L	Pin No.



RECOMMENDED P.C.B. LAYOUT  
 TOLERANCES: ±0.05mm

						UNLESS OTHERWISE SPECIFIED TOLERANCE			 <a href="http://www.attend.com.tw">www.attend.com.tw</a>	
						ANGLES	ANG.	±5°		
						LINEAR	0.	±0.3		
							0.00	±0.20		
						SCALE	AS SHOWN	UNIT: mm	DRAWN NAME: CF Type I/II Socket Top Mount, With Grounding	
						DRAWN	Willis	2012/08/03		
						CHECKED	Angel	2012/08/03		
						APPROVED	Ken	2012/08/03		
REV.			DESCRIPTION			DATE			PRODUCT NO.	101B-TAA0-R
REV.			DESCRIPTION			DATE			FILE NAME	101B-TAA0-R_B_1