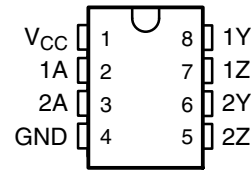


uA9638C DUAL HIGH-SPEED DIFFERENTIAL LINE DRIVER

SLLS112C – OCTOBER 1980 – REVISED APRIL 1994

- **Meets or Exceeds ANSI Standard EIA/TIA-422-B**
- **Operates From a Single 5-V Power Supply**
- **Drives Loads as Low as 50 Ω up to 15 Mbps**
- **TTL- and CMOS-Input Compatibility**
- **Output Short-Circuit Protection**
- **Interchangeable With National Semiconductor™ DS9638**

**D OR P PACKAGE
(TOP VIEW)**



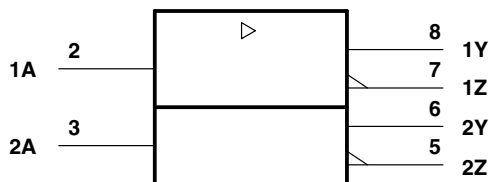
description

The uA9638C is a dual high-speed differential line driver designed to meet ANSI Standard EIA/TIA-422-B. The inputs are TTL and CMOS compatible and have input clamp diodes. Schottky-diode-clamped transistors are used to minimize propagation delay time. This device operates from a single 5-V power supply and is supplied in an 8-pin package.

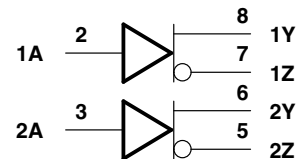
The uA9638 provides the current needed to drive low-impedance loads at high speeds. Typically used with twisted-pair cabling and differential receiver(s), base-band data transmission can be accomplished up to and exceeding 15 Mbps in properly designed systems. The uA9637A dual line receiver is commonly used as the receiver. For even faster switching speeds in the same pin configuration, see the SN75ALS191.

The uA9638C is characterized for operation from 0°C to 70°C.

logic symbol†



logic diagram



† This symbol is in accordance with ANSI/IEEE Std 91-1984 and IEC Publication 617-12.



Please be aware that an important notice concerning availability, standard warranty, and use in critical applications of Texas Instruments semiconductor products and disclaimers thereto appears at the end of this data sheet.

National Semiconductor is a trademark of National Semiconductor Corporation.

PRODUCTION DATA information is current as of publication date. Products conform to specifications per the terms of Texas Instruments standard warranty. Production processing does not necessarily include testing of all parameters.

**TEXAS
INSTRUMENTS**

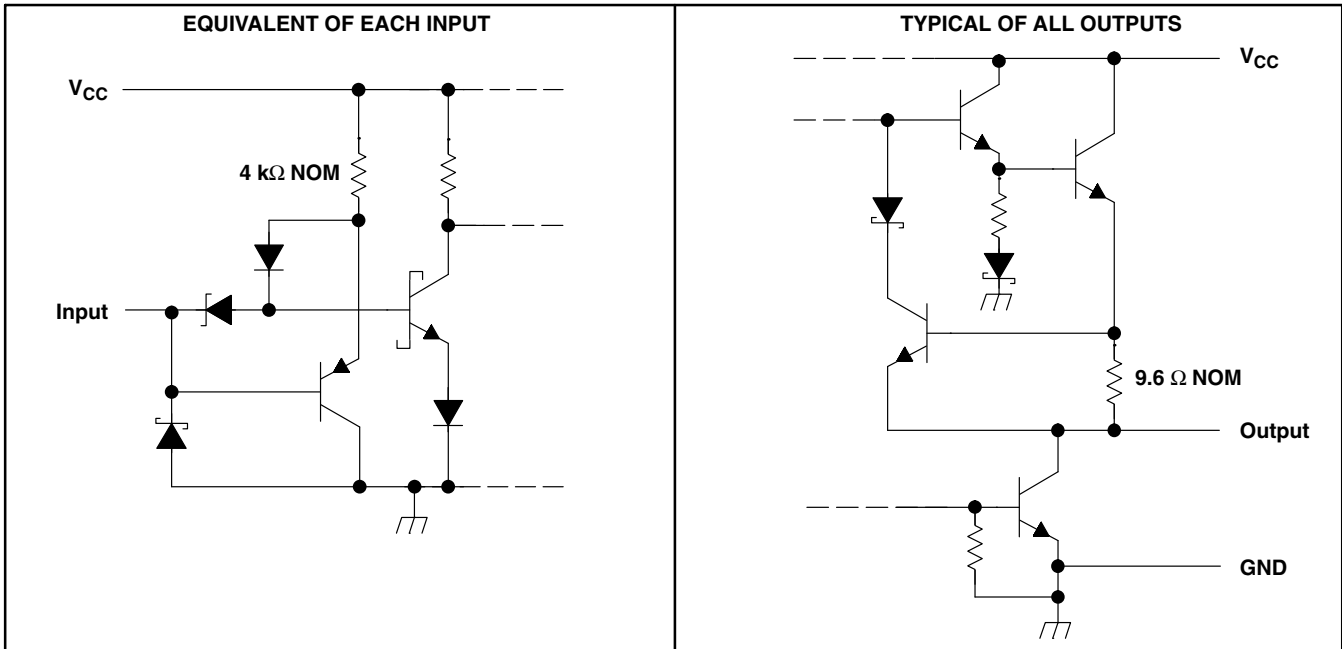
POST OFFICE BOX 655303 • DALLAS, TEXAS 75265

Copyright © 1994, Texas Instruments Incorporated

uA9638C DUAL HIGH-SPEED DIFFERENTIAL LINE DRIVER

SLLS112C – OCTOBER 1980 – REVISED APRIL 1994

schematics of inputs and outputs



absolute maximum ratings over operating free-air temperature range (unless otherwise noted)[†]

| | | |
|---|-------|------------------------------|
| Supply voltage range, V_{CC} (see Note 1) | | -0.5 V to 7 V |
| Input voltage range, V_I | | -0.5 V to 7 V |
| Continuous total power dissipation | | See Dissipation Rating Table |
| Operating free-air temperature range, T_A | | 0°C to 70°C |
| Storage temperature range, T_{stg} | | -65°C to 150°C |
| Lead temperature 1,6 mm (1/16 inch) from 10 seconds | | 260°C |

[†] Stresses beyond those listed under "absolute maximum ratings" may cause permanent damage to the device. These are stress ratings only, and functional operation of the device at these or any other conditions beyond those indicated under "recommended operating conditions" is not implied. Exposure to absolute-maximum-rated conditions for extended periods may affect device reliability.

NOTE 1: Voltage values except differential output voltages are with respect to network GND.

DISSIPATION RATING TABLE

| PACKAGE | $T_A = 25^\circ\text{C}$ POWER RATING | DERATING FACTOR ABOVE $T_A = 25^\circ\text{C}$ | $T_A = 70^\circ\text{C}$ POWER RATING |
|---------|--|---|--|
| D | 725 mW | 5.8 mW/°C | 464 mW |
| P | 1000 mW | 8.0 mW/°C | 640 mW |

recommended operating conditions

| | MIN | NOM | MAX | UNIT |
|---------------------------------------|------|-----|------|------|
| Supply voltage, V_{CC} | 4.75 | 5 | 5.25 | V |
| High-level input voltage, V_{IH} | 2 | | | V |
| Low-level input voltage, V_{IL} | | | 0.8 | V |
| High-level output current, I_{OH} | | | -50 | mA |
| Low-level output current, I_{OL} | | | 50 | mA |
| Operating free-air temperature, T_A | 0 | | 70 | °C |



POST OFFICE BOX 655303 • DALLAS, TEXAS 75265

uA9638C DUAL HIGH-SPEED DIFFERENTIAL LINE DRIVER

SLLS112C – OCTOBER 1980 – REVISED APRIL 1994

electrical characteristics over operating free-air temperature range (unless otherwise noted)

| PARAMETER | | TEST CONDITIONS | | | MIN | TYP† | MAX | UNIT | |
|------------------|---|---|--------------------------------------|---------------------------|-----------------------|------|------------|---------------|---|
| V_{IK} | Input clamp voltage | $V_{CC} = 4.75\text{ V}$, $I_I = -18\text{ mA}$ | | | -1 | -1.2 | | V | |
| V_{OH} | High-level output voltage | $V_{CC} = 4.75\text{ V}$, $V_{IL} = 0.8\text{ V}$ | $V_{IH} = 2\text{ V}$, | $I_{OH} = -10\text{ mA}$ | 2.5 | 3.5 | | V | |
| | | | | $I_{OH} = -40\text{ mA}$ | 2 | | | | |
| V_{OL} | Low-level output voltage | $V_{CC} = 4.75\text{ V}$, $I_{OL} = 40\text{ mA}$ | $V_{IH} = 2\text{ V}$, | $V_{IL} = 0.8\text{ V}$, | | | 0.5 | V | |
| $ V_{OD1} $ | Magnitude of differential output voltage | $V_{CC} = 5.25\text{ V}$, $I_O = 0$ | | | | | $2V_{OD2}$ | V | |
| $ V_{OD2} $ | Magnitude of differential output voltage | | | | 2 | | | V | |
| $\Delta V_{OD} $ | Change in magnitude of differential output voltage‡ | $V_{CC} = 4.75\text{ V to }5.25\text{ V}$, See Figure 1 | | | $R_L = 100\ \Omega$, | | | ± 0.4 | V |
| V_{OC} | Common-mode output voltage§ | | | | | | | 3 | V |
| $\Delta V_{OC} $ | Change in magnitude of common-mode output voltage‡ | | | | | | | ± 0.4 | V |
| I_O | Output current with power off | $V_{CC} = 0$ | $V_O = 6\text{ V}$ | | 0.1 | 100 | | μA | |
| | | | $V_O = -0.25\text{ V}$ | | -0.1 | -100 | | | |
| | | | $V_O = -0.25\text{ V to }6\text{ V}$ | | ± 100 | | | | |
| I_I | Input current | $V_{CC} = 5.25\text{ V}$, $V_I = 5.5\text{ V}$ | | | | | 50 | μA | |
| I_{IH} | High-level input current | $V_{CC} = 5.25\text{ V}$, $V_I = 2.7\text{ V}$ | | | | | 25 | μA | |
| I_{IL} | Low-level input current | $V_{CC} = 5.25\text{ V}$, $V_I = 0.5\text{ V}$ | | | | | -200 | μA | |
| I_{OS} | Short-circuit output current¶ | $V_{CC} = 5.25\text{ V}$, $V_O = 0$ | | | -50 | | -150 | mA | |
| I_{CC} | Supply current (both drivers) | $V_{CC} = 5.25\text{ V}$, No load, All inputs at 0 V | | | 45 | | 65 | mA | |

† All typical values are at $V_{CC} = 5\text{ V}$ and $T_A = 25^\circ\text{C}$.

‡ $\Delta|V_{OD}|$ and $\Delta|V_{OC}|$ are the changes in magnitude of V_{OD} and V_{OC} , respectively, that occur when the input is changed from a high level to a low level or vice versa.

§ In Standard EIA-422-A, V_{OC} , which is the average of the two output voltages with respect to ground, is called output offset voltage, V_{OS} .

¶ Only one output at a time should be shorted, and duration of the short circuit should not exceed one second.

switching characteristics, $V_{CC} = 5\text{ V}$, $T_A = 25^\circ\text{C}$

| PARAMETER | | TEST CONDITIONS | | | MIN | TYP | MAX | UNIT |
|-------------|-------------------------------------|------------------------|-----------------------|--------------|-----|-----|-----|------|
| $t_{d(OD)}$ | Differential output delay time | $C_L = 15\text{ pF}$, | $R_L = 100\ \Omega$, | See Figure 2 | | 10 | 20 | ns |
| $t_{t(OD)}$ | Differential output transition time | | | | | 10 | 20 | ns |
| $t_{sk(o)}$ | Output skew | See Figure 2 | | | | 1 | | ns |



uA9638C DUAL HIGH-SPEED DIFFERENTIAL LINE DRIVER

SLLS112C – OCTOBER 1980 – REVISED APRIL 1994

PARAMETER MEASUREMENT INFORMATION

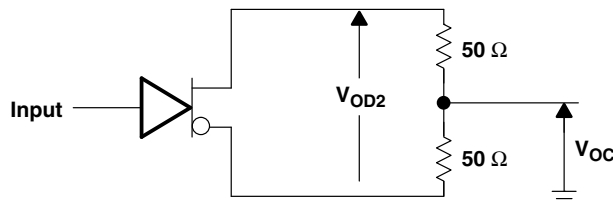
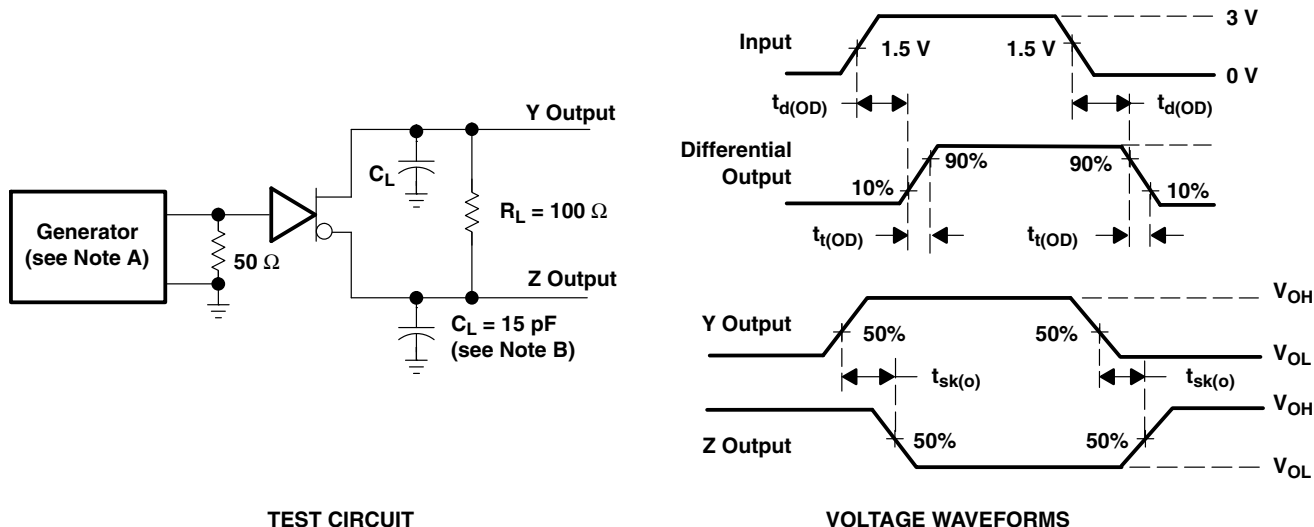


Figure 1. Differential and Common-Mode Output Voltages



TEST CIRCUIT

VOLTAGE WAVEFORMS

NOTES: A. The input pulse generator has the following characteristics: $Z_O = 50 \Omega$, $PRR \leq 500 \text{ kHz}$, $t_w = 100 \text{ ns}$, $t_r = \leq 5 \text{ ns}$.
B. C_L includes probe and jig capacitance.

Figure 2. Test Circuit and Voltage Waveforms

PACKAGING INFORMATION

| Orderable Device | Status (1) | Package Type | Package Drawing | Pins | Package Qty | Eco Plan (2) | Lead finish/ Ball material (6) | MSL Peak Temp (3) | Op Temp (°C) | Device Marking (4/5) | Samples |
|------------------|---------------|--------------|-----------------|------|-------------|-----------------|--------------------------------------|----------------------|--------------|-------------------------|---------|
| UA9638CD | LIFEBUY | SOIC | D | 8 | 75 | RoHS & Green | NIPDAU | Level-2-260C-1 YEAR | 0 to 70 | 9638C | |
| UA9638CDE4 | LIFEBUY | SOIC | D | 8 | 75 | RoHS & Green | NIPDAU | Level-2-260C-1 YEAR | 0 to 70 | 9638C | |
| UA9638CDR | ACTIVE | SOIC | D | 8 | 2500 | RoHS & Green | NIPDAU | Level-2-260C-1 YEAR | 0 to 70 | 9638C | Samples |
| UA9638CDRG4 | ACTIVE | SOIC | D | 8 | 2500 | RoHS & Green | NIPDAU | Level-2-260C-1 YEAR | 0 to 70 | 9638C | Samples |
| UA9638CP | ACTIVE | PDIP | P | 8 | 50 | RoHS & Green | NIPDAU | N / A for Pkg Type | 0 to 70 | UA9638CP | Samples |
| UA9638CPE4 | ACTIVE | PDIP | P | 8 | 50 | RoHS & Green | NIPDAU | N / A for Pkg Type | 0 to 70 | UA9638CP | Samples |

(1) The marketing status values are defined as follows:

ACTIVE: Product device recommended for new designs.

LIFEBUY: TI has announced that the device will be discontinued, and a lifetime-buy period is in effect.

NRND: Not recommended for new designs. Device is in production to support existing customers, but TI does not recommend using this part in a new design.

PREVIEW: Device has been announced but is not in production. Samples may or may not be available.

OBSELETE: TI has discontinued the production of the device.

(2) **RoHS:** TI defines "RoHS" to mean semiconductor products that are compliant with the current EU RoHS requirements for all 10 RoHS substances, including the requirement that RoHS substance do not exceed 0.1% by weight in homogeneous materials. Where designed to be soldered at high temperatures, "RoHS" products are suitable for use in specified lead-free processes. TI may reference these types of products as "Pb-Free".

RoHS Exempt: TI defines "RoHS Exempt" to mean products that contain lead but are compliant with EU RoHS pursuant to a specific EU RoHS exemption.

Green: TI defines "Green" to mean the content of Chlorine (Cl) and Bromine (Br) based flame retardants meet JS709B low halogen requirements of <=1000ppm threshold. Antimony trioxide based flame retardants must also meet the <=1000ppm threshold requirement.

(3) MSL, Peak Temp. - The Moisture Sensitivity Level rating according to the JEDEC industry standard classifications, and peak solder temperature.

(4) There may be additional marking, which relates to the logo, the lot trace code information, or the environmental category on the device.

(5) Multiple Device Markings will be inside parentheses. Only one Device Marking contained in parentheses and separated by a "~" will appear on a device. If a line is indented then it is a continuation of the previous line and the two combined represent the entire Device Marking for that device.

(6) Lead finish/Ball material - Orderable Devices may have multiple material finish options. Finish options are separated by a vertical ruled line. Lead finish/Ball material values may wrap to two lines if the finish value exceeds the maximum column width.

Important Information and Disclaimer:The information provided on this page represents TI's knowledge and belief as of the date that it is provided. TI bases its knowledge and belief on information provided by third parties, and makes no representation or warranty as to the accuracy of such information. Efforts are underway to better integrate information from third parties. TI has taken and continues to take reasonable steps to provide representative and accurate information but may not have conducted destructive testing or chemical analysis on incoming materials and chemicals. TI and TI suppliers consider certain information to be proprietary, and thus CAS numbers and other limited information may not be available for release.

In no event shall TI's liability arising out of such information exceed the total purchase price of the TI part(s) at issue in this document sold by TI to Customer on an annual basis.

TAPE AND REEL INFORMATION

QUADRANT ASSIGNMENTS FOR PIN 1 ORIENTATION IN TAPE


*All dimensions are nominal

| Device | Package Type | Package Drawing | Pins | SPQ | Reel Diameter (mm) | Reel Width W1 (mm) | A0 (mm) | B0 (mm) | K0 (mm) | P1 (mm) | W (mm) | Pin1 Quadrant |
|-----------|--------------|-----------------|------|------|--------------------|--------------------|---------|---------|---------|---------|--------|---------------|
| UA9638CDR | SOIC | D | 8 | 2500 | 330.0 | 12.4 | 6.4 | 5.2 | 2.1 | 8.0 | 12.0 | Q1 |

TAPE AND REEL BOX DIMENSIONS


*All dimensions are nominal

| Device | Package Type | Package Drawing | Pins | SPQ | Length (mm) | Width (mm) | Height (mm) |
|-----------|--------------|-----------------|------|------|-------------|------------|-------------|
| UA9638CDR | SOIC | D | 8 | 2500 | 340.5 | 336.1 | 25.0 |

TUBE


*All dimensions are nominal

| Device | Package Name | Package Type | Pins | SPQ | L (mm) | W (mm) | T (μm) | B (mm) |
|------------|--------------|--------------|------|-----|--------|--------|--------|--------|
| UA9638CD | D | SOIC | 8 | 75 | 507 | 8 | 3940 | 4.32 |
| UA9638CDE4 | D | SOIC | 8 | 75 | 507 | 8 | 3940 | 4.32 |
| UA9638CP | P | PDIP | 8 | 50 | 506 | 13.97 | 11230 | 4.32 |
| UA9638CPE4 | P | PDIP | 8 | 50 | 506 | 13.97 | 11230 | 4.32 |



D0008A

PACKAGE OUTLINE

SOIC - 1.75 mm max height

SMALL OUTLINE INTEGRATED CIRCUIT



4214825/C 02/2019

NOTES:

- Linear dimensions are in inches [millimeters]. Dimensions in parenthesis are for reference only. Controlling dimensions are in inches. Dimensioning and tolerancing per ASME Y14.5M.
- This drawing is subject to change without notice.
- This dimension does not include mold flash, protrusions, or gate burrs. Mold flash, protrusions, or gate burrs shall not exceed $.006$ [0.15] per side.
- This dimension does not include interlead flash.
- Reference JEDEC registration MS-012, variation AA.

EXAMPLE BOARD LAYOUT

D0008A

SOIC - 1.75 mm max height

SMALL OUTLINE INTEGRATED CIRCUIT



LAND PATTERN EXAMPLE
EXPOSED METAL SHOWN
SCALE:8X



SOLDER MASK DETAILS

4214825/C 02/2019

NOTES: (continued)

- 6. Publication IPC-7351 may have alternate designs.
- 7. Solder mask tolerances between and around signal pads can vary based on board fabrication site.

EXAMPLE STENCIL DESIGN

D0008A

SOIC - 1.75 mm max height

SMALL OUTLINE INTEGRATED CIRCUIT



SOLDER PASTE EXAMPLE
BASED ON .005 INCH [0.125 MM] THICK STENCIL
SCALE:8X

4214825/C 02/2019

NOTES: (continued)

8. Laser cutting apertures with trapezoidal walls and rounded corners may offer better paste release. IPC-7525 may have alternate design recommendations.
9. Board assembly site may have different recommendations for stencil design.

P (R-PDIP-T8)

PLASTIC DUAL-IN-LINE PACKAGE



- NOTES:
- A. All linear dimensions are in inches (millimeters).
 - B. This drawing is subject to change without notice.
 - C. Falls within JEDEC MS-001 variation BA.

IMPORTANT NOTICE AND DISCLAIMER

TI PROVIDES TECHNICAL AND RELIABILITY DATA (INCLUDING DATA SHEETS), DESIGN RESOURCES (INCLUDING REFERENCE DESIGNS), APPLICATION OR OTHER DESIGN ADVICE, WEB TOOLS, SAFETY INFORMATION, AND OTHER RESOURCES "AS IS" AND WITH ALL FAULTS, AND DISCLAIMS ALL WARRANTIES, EXPRESS AND IMPLIED, INCLUDING WITHOUT LIMITATION ANY IMPLIED WARRANTIES OF MERCHANTABILITY, FITNESS FOR A PARTICULAR PURPOSE OR NON-INFRINGEMENT OF THIRD PARTY INTELLECTUAL PROPERTY RIGHTS.

These resources are intended for skilled developers designing with TI products. You are solely responsible for (1) selecting the appropriate TI products for your application, (2) designing, validating and testing your application, and (3) ensuring your application meets applicable standards, and any other safety, security, regulatory or other requirements.

These resources are subject to change without notice. TI grants you permission to use these resources only for development of an application that uses the TI products described in the resource. Other reproduction and display of these resources is prohibited. No license is granted to any other TI intellectual property right or to any third party intellectual property right. TI disclaims responsibility for, and you will fully indemnify TI and its representatives against, any claims, damages, costs, losses, and liabilities arising out of your use of these resources.

TI's products are provided subject to [TI's Terms of Sale](#) or other applicable terms available either on [ti.com](https://www.ti.com) or provided in conjunction with such TI products. TI's provision of these resources does not expand or otherwise alter TI's applicable warranties or warranty disclaimers for TI products.

TI objects to and rejects any additional or different terms you may have proposed.

Mailing Address: Texas Instruments, Post Office Box 655303, Dallas, Texas 75265
Copyright © 2023, Texas Instruments Incorporated