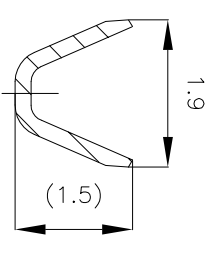
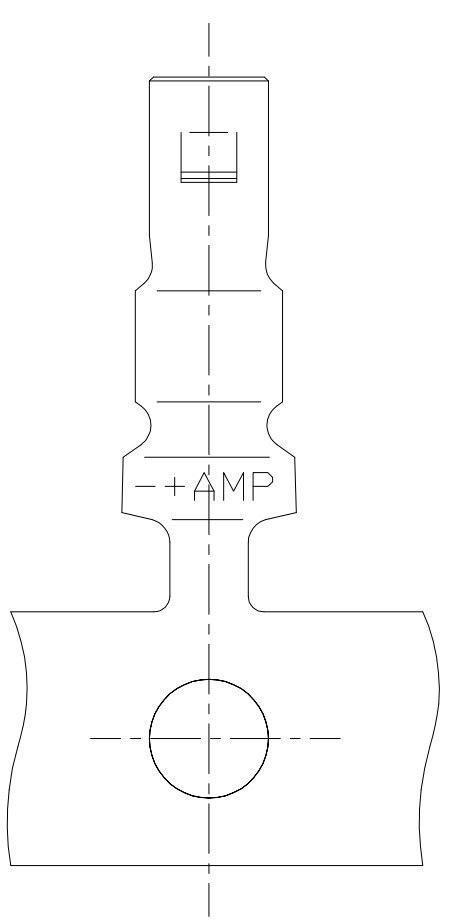
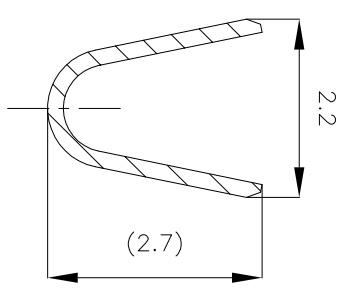


SECT "C"-"C"
 SCALE 20-1



SECT "A"-"A"



SECT "B"-"B"

NOTES:
 1. USE HOUSING: P/N 179228

LOC	DIST	REVISONS	DATE	DMN	APPD
ES	00				
P	LTR	DESCRIPTION			
B4	REVISED	PER ECR-14-003219	10OCT14	T.Q	W.H

GOLD PLT COPPER ALLOY (0.2t)	179227-4
PRE TINNED COPPER ALLOY (0.2t)	179227-1
MATERIAL & FINISH	PART NO.

DMN	12NOV93	NAME	STE	TE Connectivity
CHK	T. FURUYA			
APD	S. KUBOUCHI			
PRODUCT SPEC	15NOV93			
APPLICATION SPEC	S. KUBOUCHI			
WEIGHT	108-60029			
	114-5179			

GENERAL TOLERANCE
 0 < * ≤ 10: ±0.2
 10 < * ≤ 30: ±0.25
 30 < * ≤ 100: ±0.3
 ANGLES: ±3°

THIS DRAWING IS A CONTROLLED DOCUMENT.	
DIMENSIONS:	TOLERANCES UNLESS OTHERWISE SPECIFIED
mm	
0 P/C	±
1 P/C	±
2 P/C	±
3 P/C	±
4 P/C	±
FINISH	SEE TABLE
MATERIAL	SEE TABLE

SIZE	A2	CAGE CODE	00779	DRAWING NO	179227	RESTRICTED TO
SCALE	NTS	SHEET	1	OF	1	REV
						B4

179227

Mouser Electronics

Authorized Distributor

Click to View Pricing, Inventory, Delivery & Lifecycle Information:

[TE Connectivity:](#)

[179227-1](#)