

## Ten-Output Low-Jitter Low-Power Clock Buffer and Level Translator

Check for Samples: [CDCLVC1310](#)

### FEATURES

- **High-Performance Crystal Buffer With Ultralow Noise Floor of  $-169$  dBc/Hz**
- **Additive Phase Noise/Jitter Performance Is  $25$  fs<sub>RMS</sub> (Typ.)**
- **Level Translation With 3.3-V or 2.5-V Core and 3.3-V, 2.5-V, 1.8-V, or 1.5-V Output Supply**
- **Device inputs consist of primary, secondary, and crystal inputs, and manually selectable (through pins) using the input MUX. The primary and secondary inputs can accept LVPECL, LVDS, HCSL, SSTL or LVCMOS signals and crystal input.**
  - **Crystal Frequencies Supported Are From 8 MHz to 50 MHz**
  - **Differential and Single-Ended Input Frequencies Supported Are up to 200 MHz**
- **10 Single-Ended LVCMOS Outputs. The outputs can operate at 1.5-V, 1.8-V, 2.5-V or 3.3-V Power-Supply Voltage.**
  - **LVCMOS Outputs Operate up to 200 MHz**
  - **Output Skew Is 30 ps (Typical)**
  - **Total Propagation Delay Is 2 ns (Typical)**
  - **Synchronous and Glitch-Free Output Enable Is Available**
- **Offered in QFN-32 5-mm × 5-mm Package With Industrial Temperature Range of  $-40^{\circ}\text{C}$  to  $85^{\circ}\text{C}$**
- **Can Overdrive Crystal Input With LVCMOS Signal up to 50 MHz**

### APPLICATIONS

- **Wireless and Wired Infrastructure**
- **Networking and Data Communications**
- **Medical Imaging**
- **Portable Test and Measurement**
- **High-End A/V**

### DESCRIPTION

The CDCLVC1310 is a highly versatile, low-jitter, low-power clock fanout buffer which can distribute to ten low-jitter LVCMOS clock outputs from one of three inputs, whose primary and secondary inputs can feature differential or single-ended signals and crystal input. Such a buffer is good for use in a variety of mobile and wired infrastructure, data communication, computing, low-power medical imaging, and portable test and measurement applications. When the input is an illegal level, the output is at a defined state. One can set the core to 2.5 V or 3.3 V, and output to 1.5 V, 1.8 V, 2.5 V or 3.3 V. Pin programming easily configures the CDCLVC1310. The overall additive jitter performance is 25 fs<sub>RMS</sub> (typical). The CDCLVC1310 comes in a small 32-pin 5-mm × 5-mm QFN package.

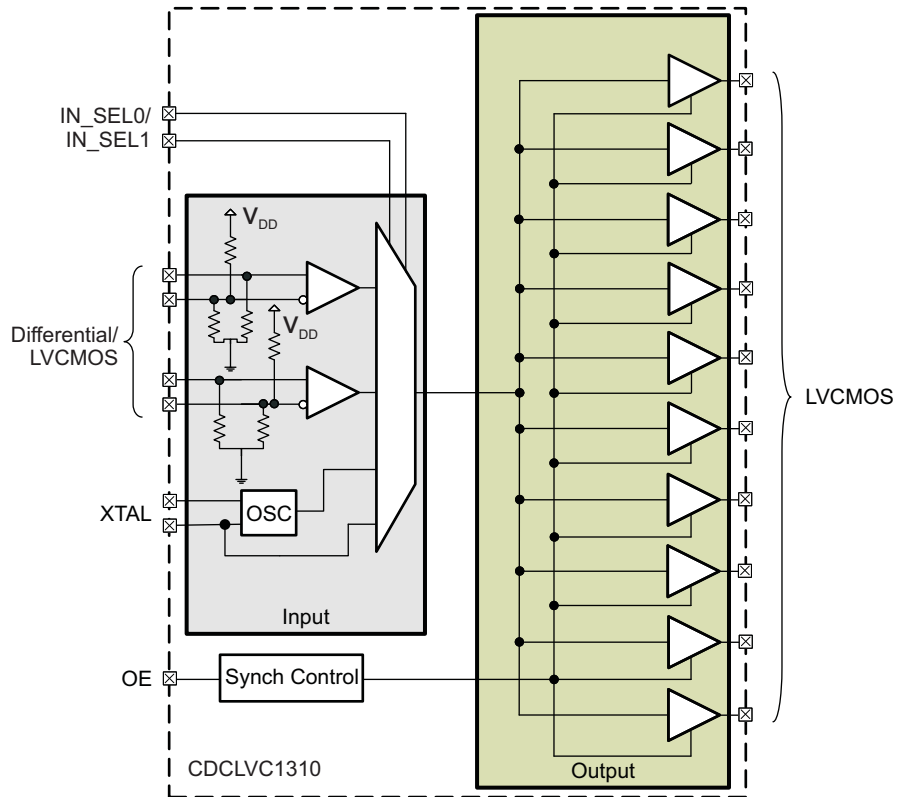


Please be aware that an important notice concerning availability, standard warranty, and use in critical applications of Texas Instruments semiconductor products and disclaimers thereto appears at the end of this data sheet.



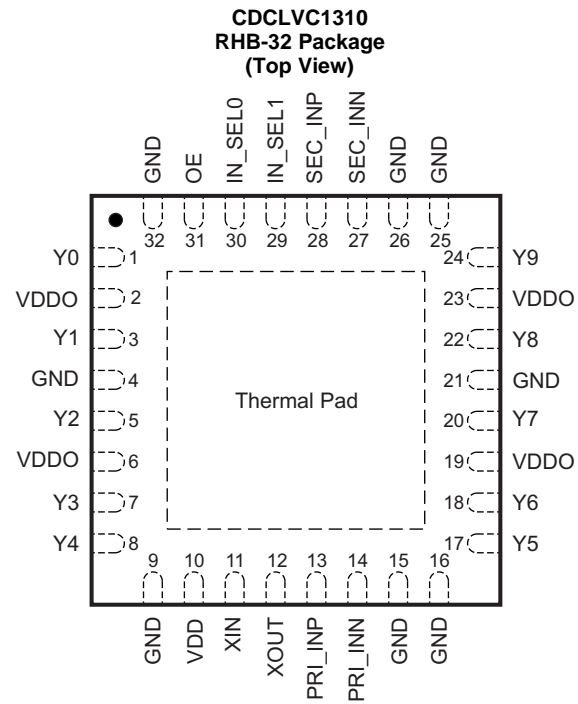
These devices have limited built-in ESD protection. The leads should be shorted together or the device placed in conductive foam during storage or handling to prevent electrostatic damage to the MOS gates.

**BLOCK DIAGRAM**



**Figure 1. High-Level Block Diagram of CDCLVC1310**

PINOUT DIAGRAM



P0048-18

## PIN FUNCTIONS

PIN		I/O	TYPE	DESCRIPTION
NAME	NO(s)			
GND	4, 9, 15, 16, 21, 25, 26, 32	PWR	Analog	Power-supply ground
IN_SELO, IN_SEL1	30, 29	I	Digital	Input-clock selection (pulldown of 150 kΩ)
OE	31	I	Digital	LVC MOS output enable (pulldown of 150 kΩ)
PRI_INN	14	I	Analog	Inverting differential primary reference input, internally biased to Vdd / 2 (pullup or pulldown of 150 kΩ)
PRI_INP	13	I	Analog	Non-inverting differential or single-ended primary reference input (pulldown of 150 kΩ)
SEC_INN	27	I	Analog	Inverting differential secondary reference input, internally biased to Vdd / 2 (pullup or pulldown of 150 kΩ)
SEC_INP	28	I	Analog	Non-inverting differential or single-ended secondary reference input (pulldown of 150 kΩ)
VDD	10	PWR	Analog	Power-supply pins
VDDO	2, 6, 19, 23	PWR	Analog	I/O power-supply pins
XIN	11	I	Analog	Crystal-oscillator input or XTAL bypass mode
XOUT	12	I	Analog	Crystal-oscillator output
Y0	1	O	Analog	LVC MOS output 0
Y1	3	O	Analog	LVC MOS output 1
Y2	5	O	Analog	LVC MOS output 2
Y3	7	O	Analog	LVC MOS output 3
Y4	8	O	Analog	LVC MOS output 4
Y5	17	O	Analog	LVC MOS output 5
Y6	18	O	Analog	LVC MOS output 6
Y7	20	O	Analog	LVC MOS output 7
Y8	22	O	Analog	LVC MOS output 8
Y9	24	O	Analog	LVC MOS output 9

Table 1. Input Selection

IN_SEL1	IN_SELO	INPUT CHOSEN
0	0	PRI_IN
0	1	SEC_IN
1	0	XTAL or overdrive <sup>(1)</sup>
1	1	XTAL bypass <sup>(2)</sup>

- (1) This mode is for XTAL input or overdrive of XTAL oscillator with LVC MOS input. For characteristics; see [LVC MOS OUTPUT CHARACTERISTICS](#).
- (2) This mode is only XTAL bypass. For characteristics, see [LVC MOS OUTPUT CHARACTERISTICS](#).

Table 2. INPUT/OUTPUT OPERATION<sup>(1)</sup>

INPUT STATE	OUTPUT STATE
PRI_INx, SEC_INx open	Logic LOW
PRI_INP, SEC_INP = HIGH, PRI_INN, SEC_INN = LOW	Logic HIGH
PRI_INP, SEC_INP = LOW, PRI_INN, SEC_INN = HIGH	Logic LOW

- (1) Device must have switching edge to obtain output states.

**Table 3. OE Function**

OE	Yx
0	High-impedance
1	Enabled

**ABSOLUTE MAXIMUM RATINGS<sup>(1)</sup>**

over operating free-air temperature range (unless otherwise noted)

		VALUE	UNIT
VDD, VDDO	Supply-voltage range	–0.5 to 4.6	V
V <sub>IN</sub>	Input-voltage range	–0.5 to VDD + 0.5	V
V <sub>OUT</sub>	Output-voltage range	–0.5 to VDDO + 0.5	V
I <sub>IN</sub>	Input current	±20	V
I <sub>OUT</sub>	Output current	±50	V
T <sub>stg</sub>	Storage-temperature range	–65 to 150	°C
T <sub>J</sub>	Junction temperature	125	°C

(1) Stresses beyond those listed under *Absolute Maximum Ratings* may cause permanent damage to the device. These are stress ratings only, and functional operation of the device at these or any other conditions beyond those indicated under *Recommended Operating Conditions* is not implied. Exposure to absolute-maximum-rated conditions for extended periods may affect device reliability.

**RECOMMENDED OPERATING CONDITIONS**

over operating free-air temperature range (unless otherwise noted)

		MIN	NOM	MAX	UNIT
VDDO	Output supply voltage	3.135	3.3	3.465	V
		2.375	2.5	2.625	
		1.6	1.8	2	
		1.35	1.5	1.65	
VDD	Core supply voltage	3.135	3.3	3.465	V
		2.375	2.5	2.625	
I <sub>OH</sub>	High-level output current, LVCMOS			–24	mA
I <sub>OL</sub>	Low-level output current, LVCMOS			24	mA
T <sub>A</sub>	Ambient temperature	–40		85	°C

## THERMAL INFORMATION

THERMAL METRIC <sup>(1)</sup>		CDCLVC1310	UNIT
		RHB	
		32 PINS	
$\theta_{JA}$	Junction-to-ambient thermal resistance <sup>(2)</sup>	41.7	°C/W
$\theta_{JcTop}$	Junction-to-case (top) thermal resistance <sup>(3)</sup>	34.1	°C/W
$\theta_{JB}$	Junction-to-board thermal resistance <sup>(4)</sup>	14.4	°C/W
$\psi_{JT}$ <sup>(5)</sup>	Junction-to-top characterization parameter <sup>(5)</sup>	0.9	°C/W
$\psi_{JB}$	Junction-to-board characterization parameter <sup>(6)</sup>	14.4	°C/W
$\theta_{JcBot}$	Junction-to-case (bottom) thermal resistance <sup>(7)</sup>	6.2	°C/W

- (1) For more information about traditional and new thermal metrics, see the *IC Package Thermal Metrics* application report, [SPRA953](#).
- (2) The junction-to-ambient thermal resistance under natural convection is obtained in a simulation on a JEDEC-standard, high-K board, as specified in JESD51-7, in an environment described in JESD51-2a.
- (3) The junction-to-case (top) thermal resistance is obtained by simulating a cold plate test on the package top. No specific JEDEC-standard test exists, but a close description can be found in the ANSI SEMI standard G30-88.
- (4) The junction-to-board thermal resistance is obtained by simulating in an environment with a ring cold plate fixture to control the PCB temperature, as described in JESD51-8.
- (5) The junction-to-top characterization parameter,  $\psi_{JT}$ , estimates the junction temperature of a device in a real system and is extracted from the simulation data for obtaining  $\theta_{JA}$ , using a procedure described in JESD51-2a (sections 6 and 7).
- (6) The junction-to-board characterization parameter,  $\psi_{JB}$ , estimates the junction temperature of a device in a real system and is extracted from the simulation data for obtaining  $\theta_{JA}$ , using a procedure described in JESD51-2a (sections 6 and 7).
- (7) The junction-to-case (bottom) thermal resistance is obtained by simulating a cold plate test on the exposed (power) pad. No specific JEDEC standard test exists, but a close description can be found in the ANSI SEMI standard G30-88.

## INPUT CHARACTERISTICS

over recommended ranges of supply voltage ( $V_{DD0} \leq V_{DD}$ ), load and ambient temperature (unless otherwise noted)

PARAMETER		TEST CONDITIONS	MIN	TYP	MAX	UNIT
<b>DC Characteristic (OE, IN_SEL0, IN_SEL1, PRI_IN, SEC_IN)</b>						
$I_{IH}$	Input high current	$V_{DD} = 3.465\text{ V}$ , $V_{IH} = 3.465\text{ V}$			40	$\mu\text{A}$
$I_{IL}$	Input low current	$V_{DD} = 3.465\text{ V}$ , $V_{IL} = 0\text{ V}$			-40	$\mu\text{A}$
$\Delta V/\Delta T$	Input edge rate	20%–80%		2		V/ns
$R_{Pullup/down}$	Pullup or pulldown resistance			150		k $\Omega$
$C_{IN}$	Input capacitance			2		pF
<b>Single-Ended DC Characteristic (PRI_INP, SEC_INP)<sup>(1)</sup></b>						
$V_{IH}$	Input high voltage	$V_{DD} = 3.3\text{ V} \pm 5\%$	2		$V_{DD} + 0.3$	V
		$V_{DD} = 2.5\text{ V} \pm 5\%$	1.6		$V_{DD} + 0.3$	
$V_{IL}$	Input low voltage	$V_{DD} = 3.3\text{ V} \pm 5\%$	-0.3		1.3	V
		$V_{DD} = 2.5\text{ V} \pm 5\%$	-0.3		0.9	
<b>Single-Ended DC Characteristic (OE, IN_SEL0, IN_SEL1)</b>						
$V_{IH}$	Input high voltage		$0.7 \times V_{DD}$			V
$V_{IL}$	Input low voltage				$0.3 \times V_{DD}$	V
<b>Differential DC Characteristic (PRI_IN, SEC_IN)</b>						
$V_{I,DIFF}$	Differential input voltage swing <sup>(2)</sup>		0.15		1.3	V
$V_{ICM}$	Input common-mode voltage <sup>(3)</sup>		0.5		$V_{DD} - 0.85$	V
<b>AC Characteristic (PRI_IN, SEC_IN)</b>						
$f_{IN}$	Input frequency		DC		200	MHz
idc	Input duty cycle		40%		60%	

- (1) PRI/SEC\_INN biased to  $V_{DD} / 2$
- (2)  $V_{IL}$  should not be less than  $-0.3\text{ V}$
- (3) Input common-mode voltage is defined as  $V_{IH}$  (see [Figure 19](#)).

## CRYSTAL CHARACTERISTICS

over recommended ranges of supply voltage, load and ambient temperature (unless otherwise noted)

PARAMETER	TEST CONDITIONS	MIN	TYP	MAX	UNIT
Equivalent series resistance (ESR)			50		$\Omega$
Maximum shunt capacitance			7		pF
Drive level			100		$\mu$ W

## CRYSTAL OSCILLATOR CHARACTERISTICS

over recommended ranges of supply voltage, load and ambient temperature (unless otherwise noted)

PARAMETER	TEST CONDITIONS	MIN	TYP	MAX	UNIT
Mode of oscillation		Fundamental			
Frequency		8		50	MHz
Frequency in overdrive mode <sup>(1)</sup>				50	MHz
Frequency in bypass mode <sup>(2)</sup>				50	MHz
On-chip load capacitance			12		pF

(1) Input signal swing (max) = 2 V; input signal  $t_r$  (max) = 10 ns;  $t_f$ (max) = 10 ns; functional, but device may not meet ac parameters.

(2) Input signal swing (max) =  $V_{DD}$ ; input signal  $t_r$  (max) = 10 ns;  $t_f$ (max) = 10 ns; functional, but device may not meet ac parameters.

## LVC MOS OUTPUT CHARACTERISTICS

over recommended ranges of supply voltage ( $V_{DDO} \leq V_{DD}$ ), load (50  $\Omega$  to  $V_{DDO}/2$ ), and ambient temperature (unless otherwise noted)

PARAMETER	TEST CONDITIONS	MIN	TYP	MAX	UNIT
$f_{OUT}$				200	MHz
$V_{OH}$ Output high voltage	$V_{DDO} = 3.135 \text{ V to } 3.465 \text{ V}$	0.8 * $V_{DDO}$			V
	$V_{DDO} = 2.375 \text{ V to } 2.625 \text{ V}$	0.8 * $V_{DDO}$			
	$V_{DDO} = 1.6 \text{ V to } 2 \text{ V}$	0.7 * $V_{DDO}$			
	$V_{DDO} = 1.35 \text{ V to } 1.65 \text{ V}$	0.7 * $V_{DDO}$			
$V_{OL}$ Output low voltage	$V_{DDO} = 3.135 \text{ V to } 3.465 \text{ V}$			0.2 * $V_{DDO}$	V
	$V_{DDO} = 2.375 \text{ V to } 2.625 \text{ V}$			0.2 * $V_{DDO}$	
	$V_{DDO} = 1.6 \text{ V to } 2 \text{ V}$			0.3 * $V_{DDO}$	
	$V_{DDO} = 1.35 \text{ V to } 1.65 \text{ V}$			0.3 * $V_{DDO}$	
$R_{OUT}$ Output impedance	$V_{DDO} = 3.3 \text{ V}$		15		$\Omega$
	$V_{DDO} = 2.5 \text{ V}$		20		
	$V_{DDO} = 1.8 \text{ V}$		25		
	$V_{DDO} = 1.5 \text{ V}$		30		
$t_{SLEW-RATE}$ Output slew rate, rising and falling	$V_{DDO}=3.3\text{V} \pm 5\%$ , 20% to 80%	5.6	7.3	9.0	V/ns
	$V_{DDO}=2.5\text{V} \pm 5\%$ , 20% to 80%	3.9	4.8	5.4	
	$V_{DDO}=1.8\text{V} \pm 200\text{mV}$ , 20% to 80%	1.6	2.1	2.5	
	$V_{DDO}=1.5\text{V} \pm 150\text{mV}$ , 20% to 80%	0.9	1.2	1.4	
$t_{SK}$ Output skew			30	50	ps
$t_{SK,PP}$ Part-to-part skew <sup>(1)</sup>				2	ns

(1) Calculation for part-to-part skew is the difference between the fastest and the slowest  $t_{pd}$  across multiple devices.

## LVC MOS OUTPUT CHARACTERISTICS (continued)

over recommended ranges of supply voltage ( $V_{DDO} \leq V_{DD}$ ), load ( $50 \Omega$  to  $V_{DDO}/2$ ), and ambient temperature (unless otherwise noted)

PARAMETER		TEST CONDITIONS	MIN	TYP	MAX	UNIT
$t_{\text{DELAY}}$	Output frequency	VDD = 3.3 V $\pm$ 5%, VDDO = 1.35 V to VDD	1.5	1.95	4.0	ns
		VDD = 2.5 V $\pm$ 5%, VDDO = 1.35 V to VDD	1.8	2.4	4.4	
$t_{\text{RJIT}}$	System-level additive jitter <sup>(2)</sup>	Single-ended input, VDD = 3.3 V, VDDO = 3.3 V		25		$f_s$ , RMS
		Single-ended input, VDD = 2.5 V or 3.3 V, VDDO = 1.5 V, 1.8 V, or 2.5 V, $f_{\text{IN/OUT}} = 125$ MHz		30		
		Differential input, VDD = 3.3 V, VDDO = 3.3 V		30		
		Differential input, VDD = 2.5 V or 3.3 V, VDDO = 1.5 V, 1.8 V, or 2.5 V, $f_{\text{IN/OUT}} = 125$ MHz		30		
NF	Noise floor	10-kHz offset <sup>(3)</sup>		-145		dBc/Hz
		100-kHz offset <sup>(3)</sup>		-156		
		1-MHz offset <sup>(3)</sup>		-163		
		10-MHz offset <sup>(3)</sup>		-164		
		20-MHz offset <sup>(3)</sup>		-164		
		10-kHz offset <sup>(4)</sup>		-145		
		100-kHz offset <sup>(4)</sup>		-155		
		1-MHz offset <sup>(4)</sup>		-160		
		10-MHz offset <sup>(4)</sup>		-161		
20-MHz offset <sup>(4)</sup>		-162				
odc	Output duty cycle	$f_{\text{IN/OUT}} = 125$ MHz, $\text{idc} = 50\%$ <sup>(5)</sup>	45%		55%	
$t_{\text{EN}}$	Output enable or disable time				2	Cycle
$\text{MUX}_{\text{ISOLATION}}$	MUX isolation <sup>(6)</sup>	125 MHz	55			dB

(2) Integration range: 12 kHz–20 MHz; input source see the [System-Level Additive-Jitter Measurement](#) section

(3) Single-ended input,  $f_{\text{IN/OUT}} = 125$  MHz, VDD = VDDO = 3.3 V

(4) Differential input,  $f_{\text{IN/OUT}} = 125$  MHz, VDD = VDDO = 3.3 V

(5) Stable  $V_{\text{IH}}$ ,  $V_{\text{IL}}$ , and  $V_{\text{CM}}$

(6) See [Figure 18](#).



## PHASE NOISE WITH XTAL<sup>(1)</sup> SELECTED

VDD = VDDO = 2.5 V or 3.3 V, f<sub>XTAL</sub> = 25 MHz, T<sub>A</sub> = 25°C (unless otherwise noted)

PARAMETER		TEST CONDITIONS	MIN	TYP	MAX	UNIT
Jrms	RMS phase jitter	IB = 12 kHz to 5 MHz, VDD = VDDO = 3.3 V		80		fs rms
		IB = 12 kHz to 5 MHz, VDD = VDDO = 2.5 V		115		
PN	Phase noise (see <a href="#">Figure 15</a> )	f <sub>offset</sub> = 100 Hz, VDD = VDDO = 3.3 V		-92		dBc/Hz
		f <sub>offset</sub> = 1 kHz, VDD = VDDO = 3.3 V		-137		
		f <sub>offset</sub> = 10 kHz, VDD = VDDO = 3.3 V		-163		
		f <sub>offset</sub> = 100 kHz, VDD = VDDO = 3.3 V		-168		
		f <sub>offset</sub> = 1 MHz, VDD = VDDO = 3.3 V		-168		
		f <sub>offset</sub> = 5 MHz, VDD = VDDO = 3.3 V		-169		
		f <sub>offset</sub> = 100 Hz, VDD = VDDO = 2.5 V		-91		
		f <sub>offset</sub> = 1 kHz, VDD = VDDO = 2.5 V		-136		
		f <sub>offset</sub> = 10 kHz, VDD = VDDO = 2.5 V		-159		
		f <sub>offset</sub> = 100 kHz, VDD = VDDO = 2.5 V		-164		
		f <sub>offset</sub> = 1 MHz, VDD = VDDO = 2.5 V		-165		
f <sub>offset</sub> = 5 MHz, VDD = VDDO = 2.5 V		-165				

(1) Crystal specification: C<sub>L</sub> = 18 pF; ESR = 35 Ω (max); C<sub>0</sub> = 7 pF; drive level = 100 μW (max)

## DEVICE CURRENT CONSUMPTION

over recommended ranges of supply voltage, load and ambient temperature (unless otherwise noted)

PARAMETER		TEST CONDITIONS	MIN	TYP	MAX	UNIT
<b>OVERALL PARAMETERS FOR ALL VERSIONS</b>						
I <sub>DD</sub>	Static device current <sup>(1)</sup>	OE = 0 V or V <sub>DD</sub> ; Ref. input (PRI/SEC) = 0 V or V <sub>DD</sub> ; I <sub>O</sub> = 0 mA; V <sub>DD</sub> / V <sub>DDO</sub> = 3.3 V		14		mA
		OE = 0 V or V <sub>DD</sub> ; Ref. input (PRI/SEC) = 0 V or V <sub>DD</sub> ; I <sub>O</sub> = 0 mA; V <sub>DD</sub> / V <sub>DDO</sub> = 2.5 V		8		
I <sub>DD,XTAL</sub>	Device current with XTAL input <sup>(1)</sup>			20		mA
C <sub>PD</sub>	Power dissipation capacitance per output <sup>(2)</sup>	VDDO = 3.465 V; f = 100 MHz			8.8	pF
		VDDO = 2.625 V; f = 100 MHz			7.7	
		VDDO = 2 V; f = 100 MHz			7.3	
		VDDO = 1.65 V; f = 100 MHz			6.9	

(1) I<sub>DD</sub> and I<sub>DD,XTAL</sub> is the current through V<sub>DD</sub>; outputs enabled or in the high-impedance state; no load.

(2) This is the formula for the power dissipation calculation (see the [Power Considerations](#) section)

$$I_{DD,Total} = I_{DD} + I_{DD,Cload} + I_{DD,dyn} \text{ [mA]}$$

$$I_{DD,dyn} = C_{PD} \times V_{DDO} \times f \times n \text{ [mA]}$$

$$I_{DD,Cload} = C_{load} \times V_{DDO} \times f \times n \text{ [mA]}$$

$$n = \text{Number of switching output pins}$$

TEST CONFIGURATIONS

Figure 2 through Figure 8 illustrate how to set up the device for a variety of test configurations.

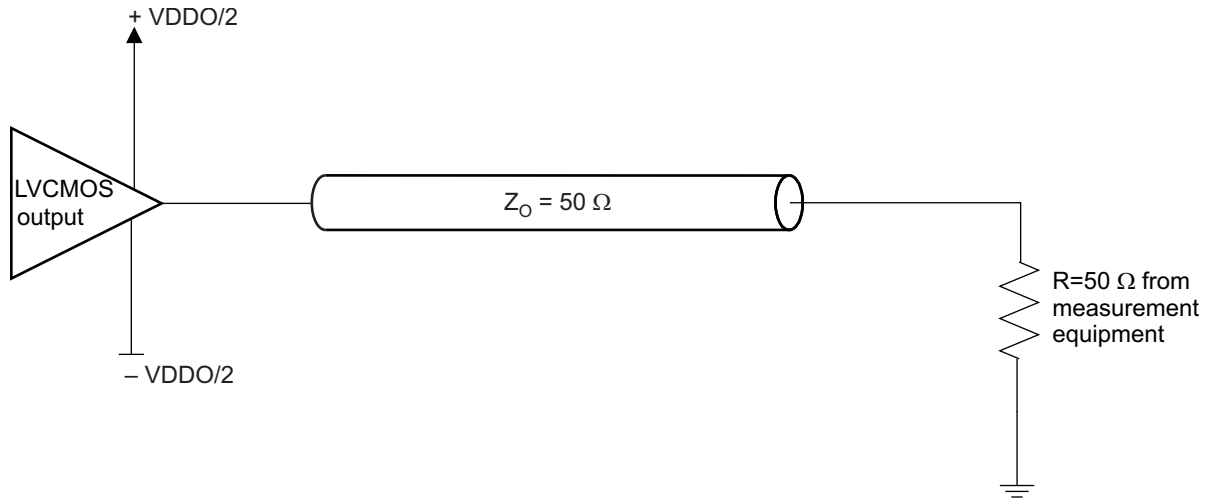


Figure 2. LVC MOS Output DC Configuration; Test Load Circuit

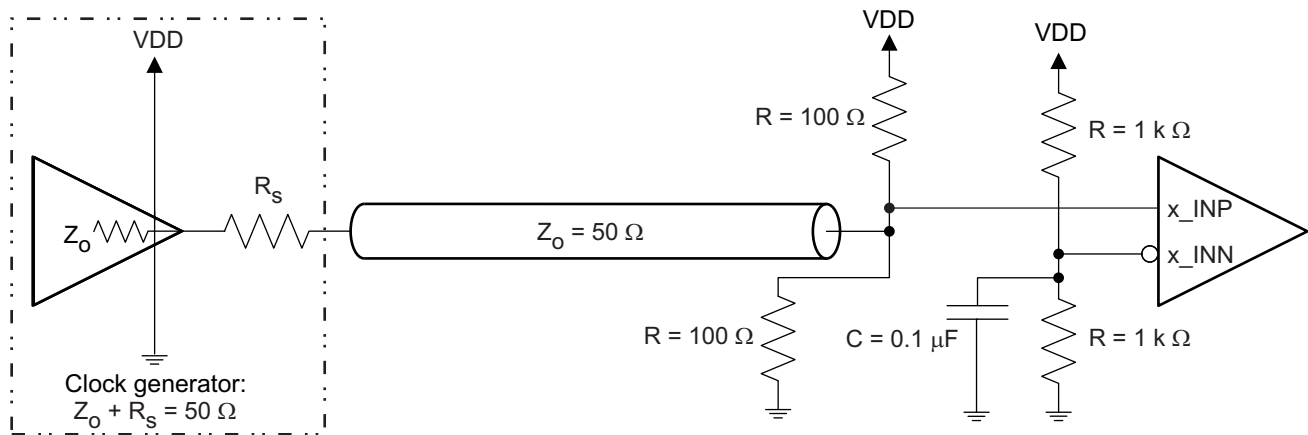


Figure 3. LVC MOS Input DC Configuration During Device Test

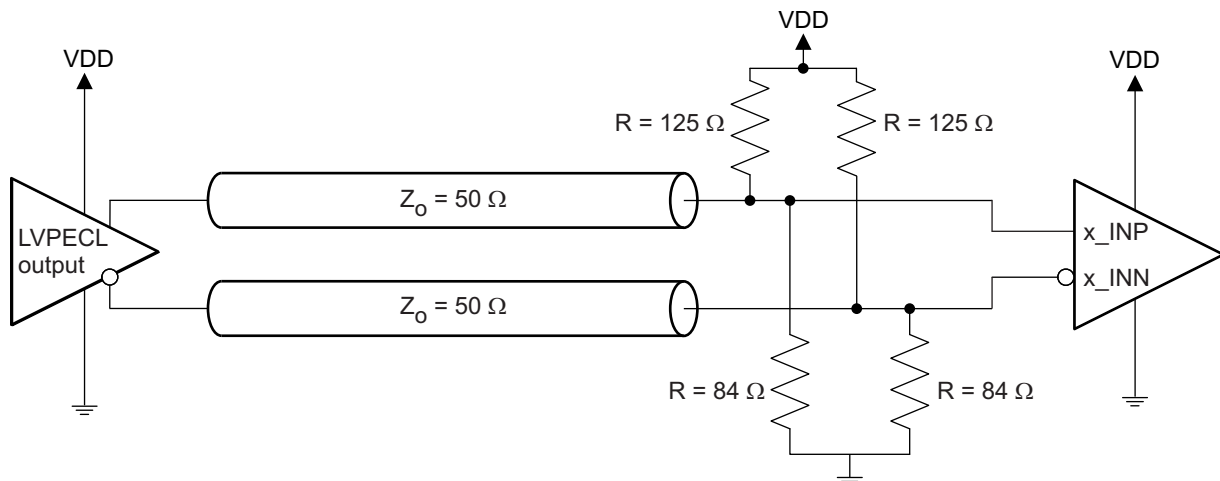


Figure 4. LVPECL Input Configuration During Device Test

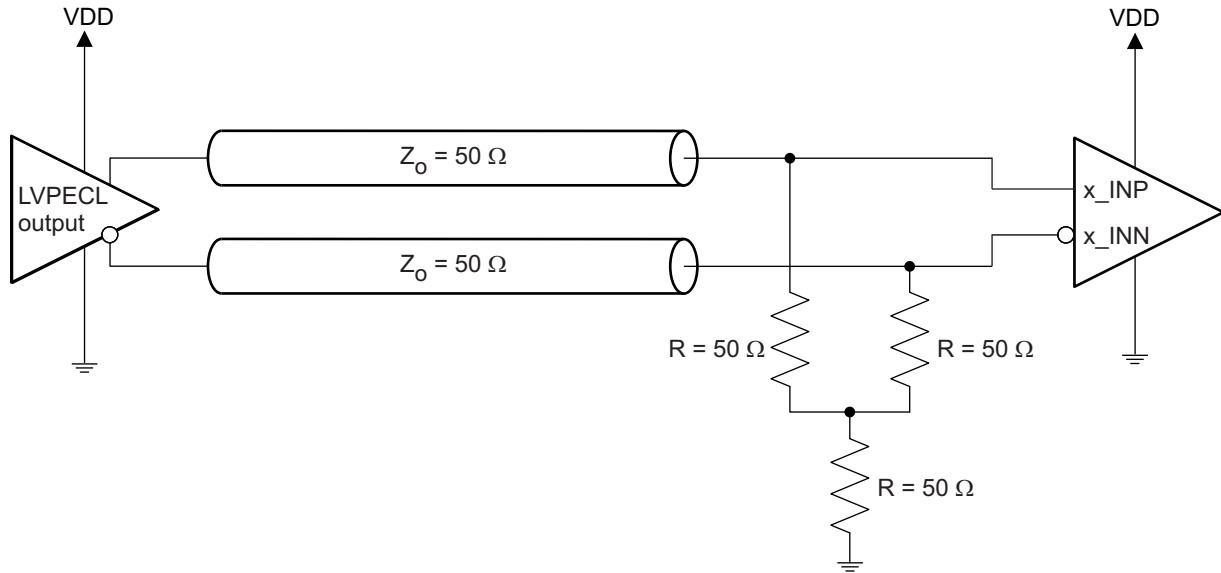


Figure 5. LVPECL Input Configuration During Device Test

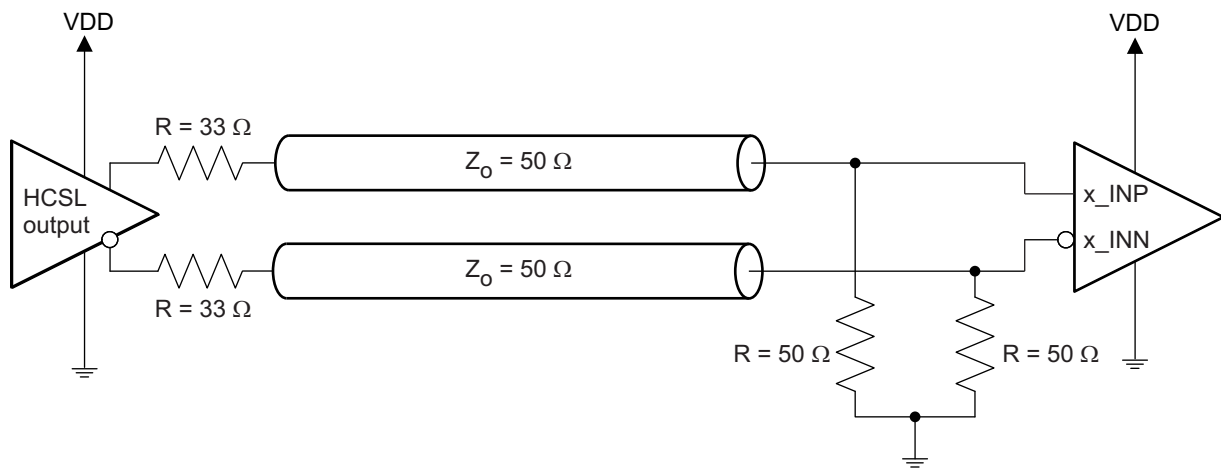


Figure 6. HCSL Input Configuration During Device Test

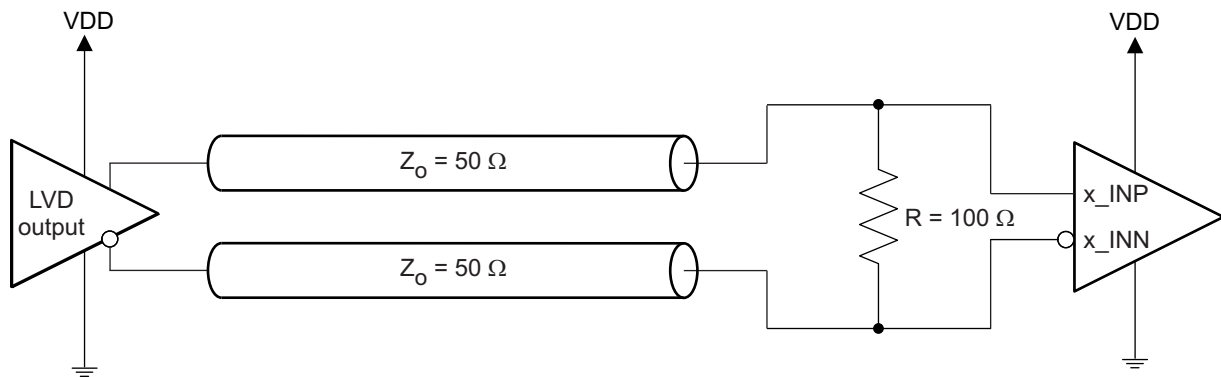


Figure 7. LVDS Input Configuration During Device Test

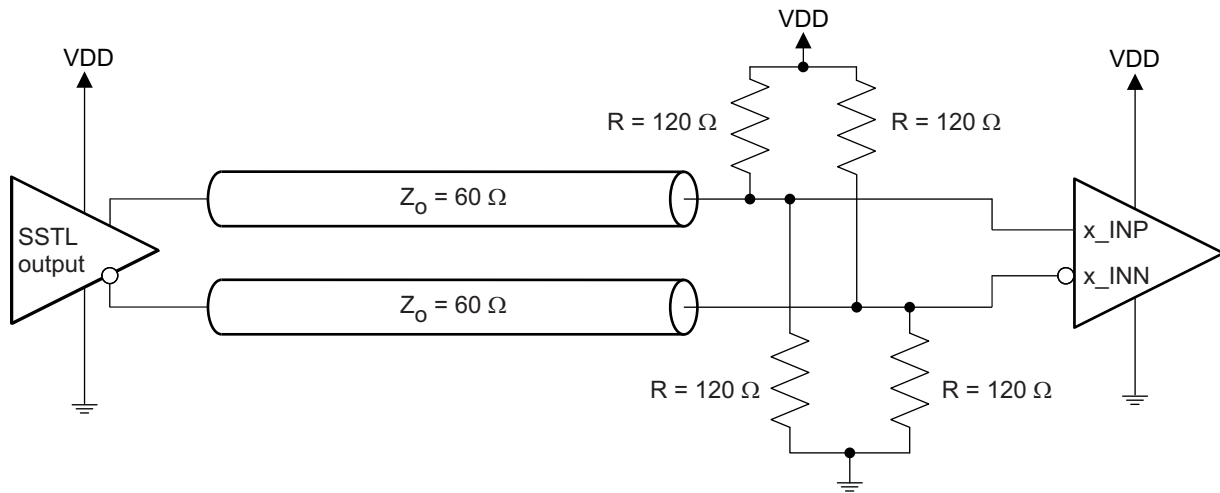


Figure 8. SSTL Input Configuration During Device Test

APPLICATION INFORMATION

Typical Application Load

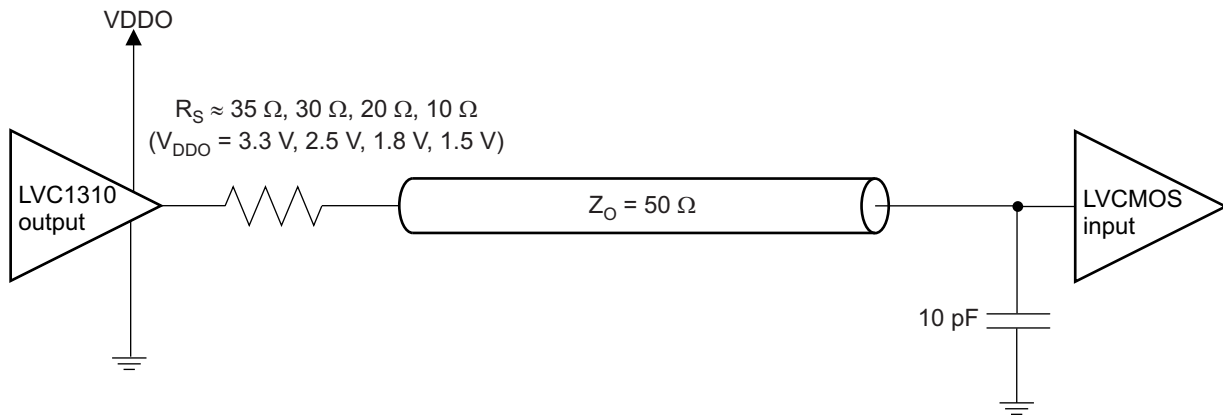


Figure 9. LVC1310 Output DC Configuration: Typical Application Load

Parameter Measurement Information

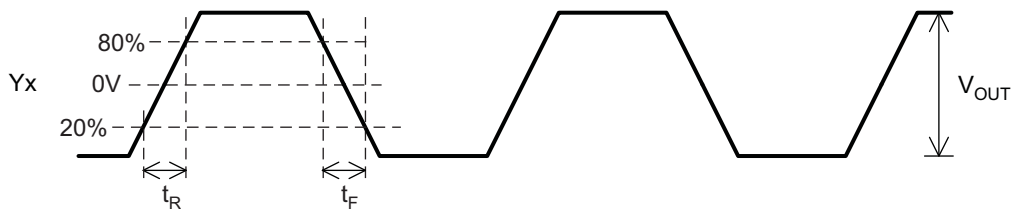


Figure 10. LVC1310 Output Voltage, and Rise and Fall Times

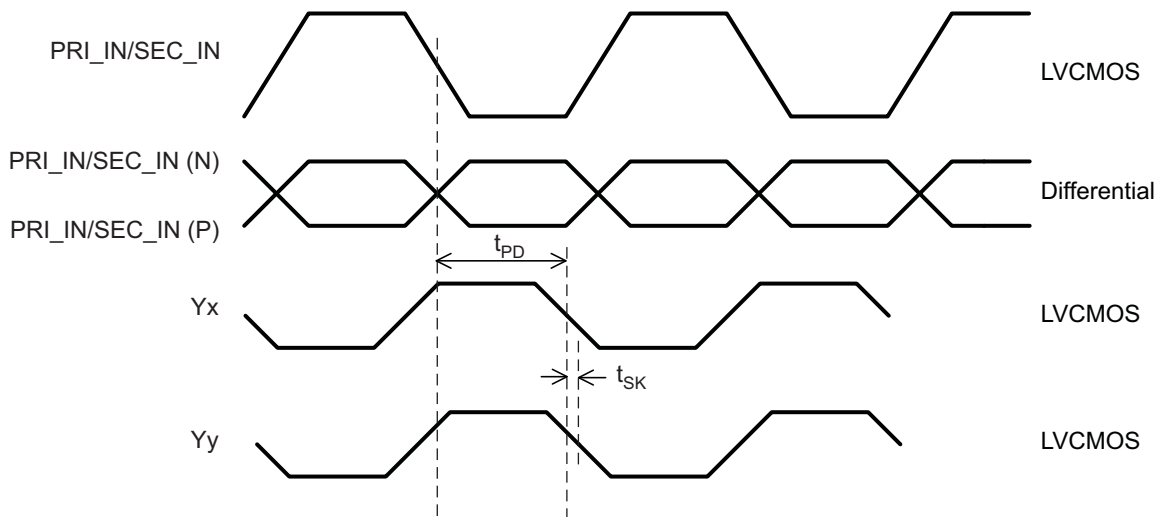
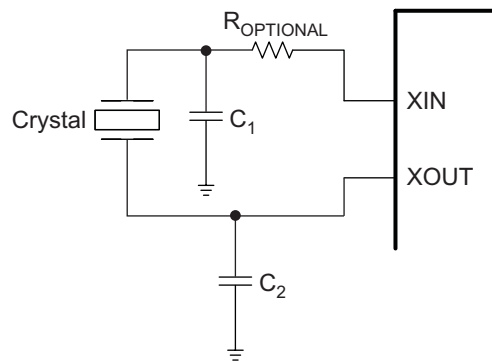


Figure 11. Differential and Single-Ended Output Skew and Propagation Delay

Crystal Oscillator Input

The crystal oscillator circuit is characterized with 18-pF parallel-resonant crystals. Choices of C1 and C2 were to minimize the ppm error. Optional resistor R<sub>OPTIONAL</sub> limits the drive level of the oscillator circuit.

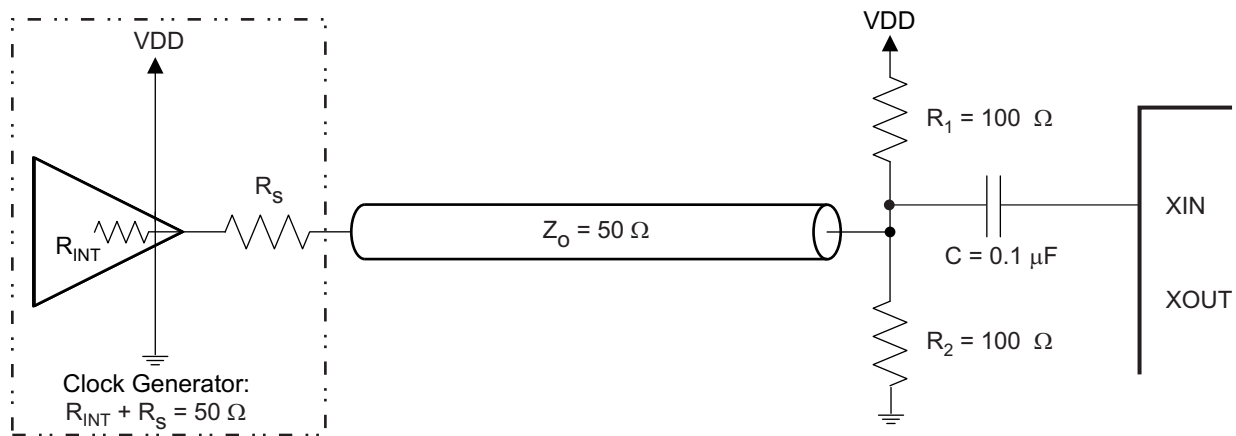


**Figure 12. Crystal Reference Input**

The input XIN can accept single-ended LVCMOS signals in two configurations. It is possible to overdrive the oscillator stage or to use a pure LVCMOS input (see [Table 1](#)). If overdriving the oscillator stage, it is necessary to ac-couple the input with a capacitor (see [Figure 13](#)). Otherwise, if selecting the bypass, there is no requirement for a coupling capacitor. Additional measurements and information about crystal oscillator input and limiting the drive level are available in the applications report *Crystal Oscillator Performance of the CDCLVC1310* ([SCAA119](#)).

**NOTE**

If using the overdrive or bypass mode, the device is functional, but may not meet its ac parameters.



**Figure 13. Single-Ended Crystal Input**

### Phase-Noise Performance

The CDCLVC1310 provides ultralow phase-noise outputs (noise floor =  $-170$  dBc/Hz) if it has an attached crystal. [Figure 14](#) shows the phase-noise plot of the CDCLVC1310 with a 25-MHz crystal at  $V_{DD} = V_{DDO} = 3.3$  V and room temperature.

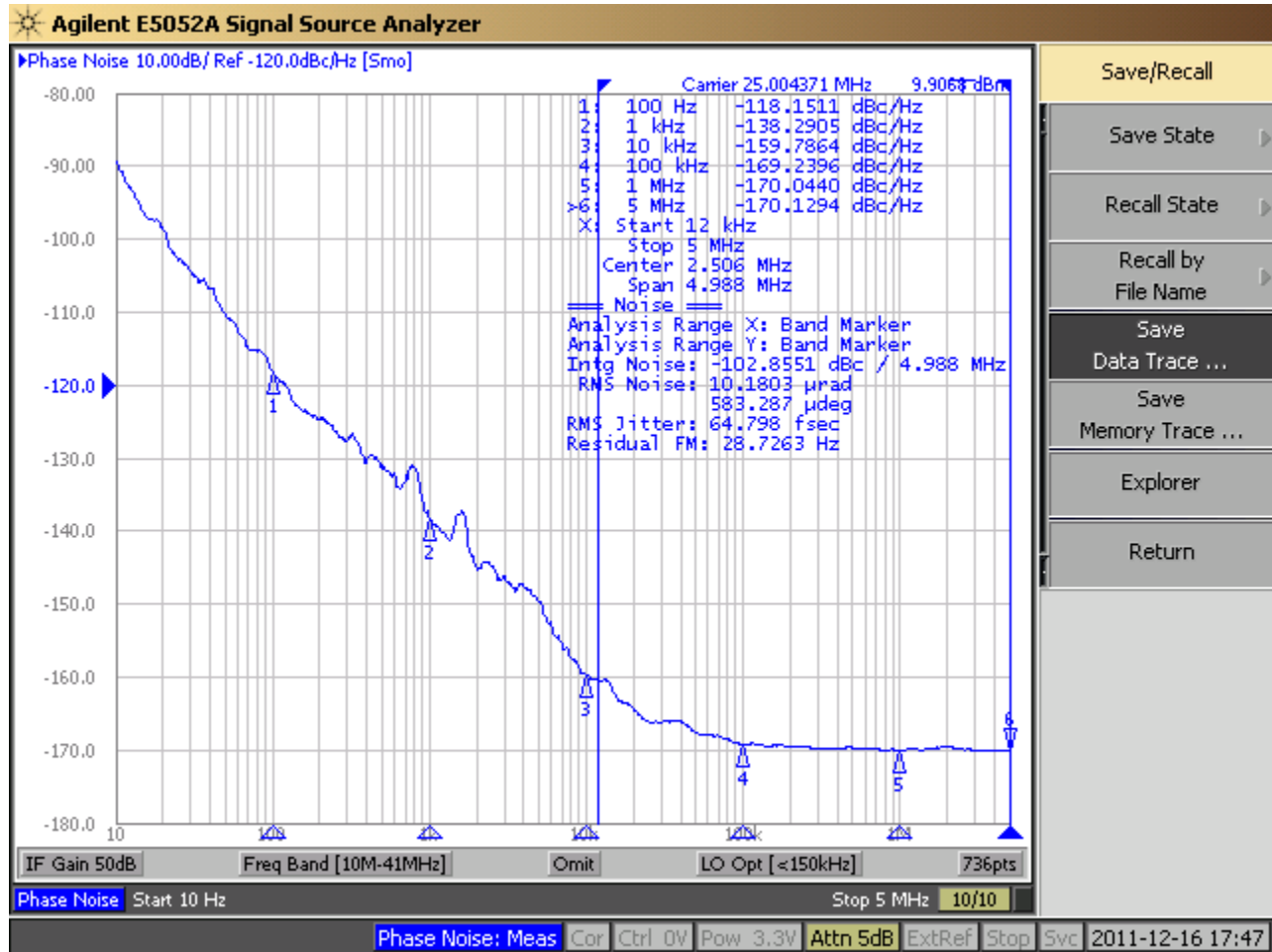


Figure 14. Phase-Noise Profile With 25-MHz Crystal at Nominal Conditions

### System-Level Additive-Jitter Measurement

For high-performance devices, limitations of the equipment influence phase-noise measurements. The noise floor of the equipment often exceeds the noise floor of the device. The real noise floor of the device is probably lower (see [LVC MOS Output Characteristics](#)). Phase noise is influenced by the input source and the measurement equipment. Additional measurements and information about system-level additive jitter and noise floor are available in the applications report *Phase Noise Performance of CDCLVC1310* (SCAA115).

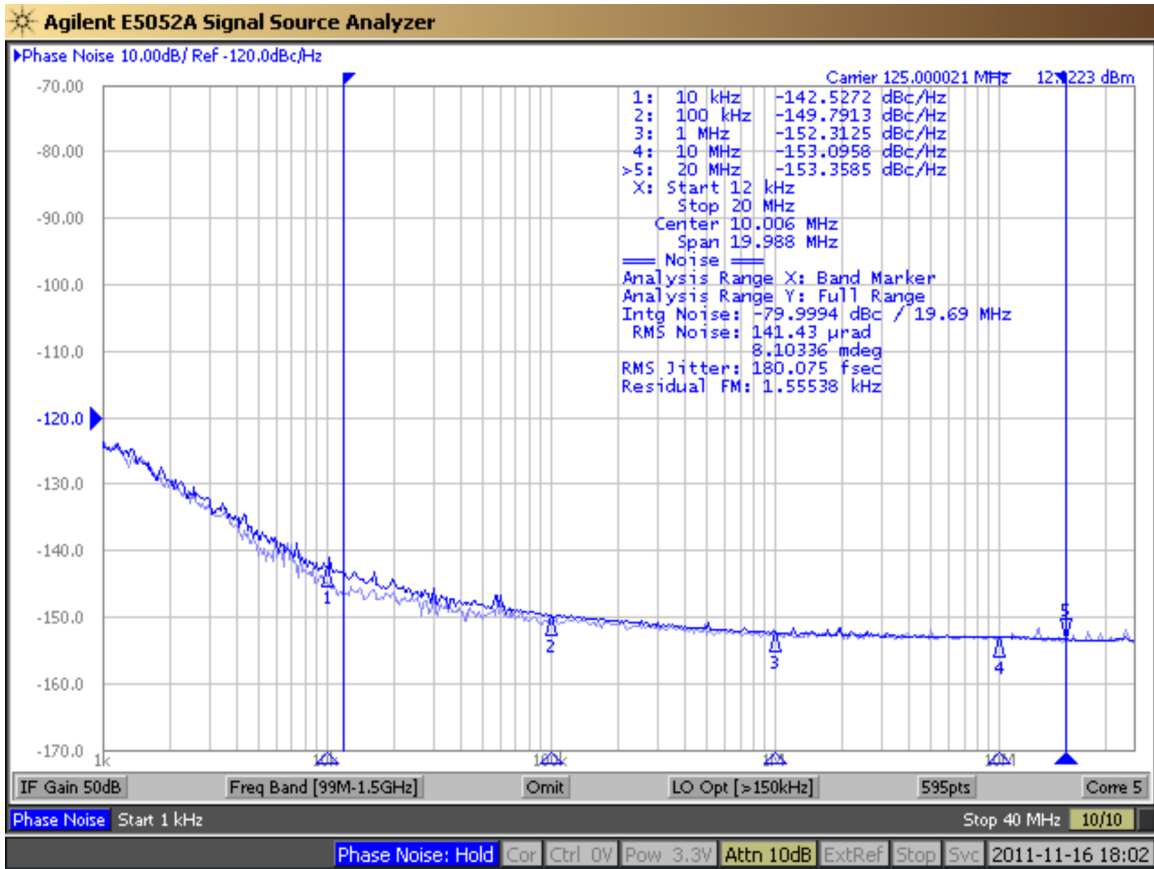


Figure 15. Input Phase Noise (179.4 fs, Light Blue) and Output Phase Noise (180 fs, Dark Blue)

### Output Enable

Pulling OE to LOW ( $t_1$ ), forces the outputs to the high-impedance state after the next falling edge of the input signal ( $t_2$ ). The outputs remain in the high-impedance state as long as OE is LOW (see Figure 16).

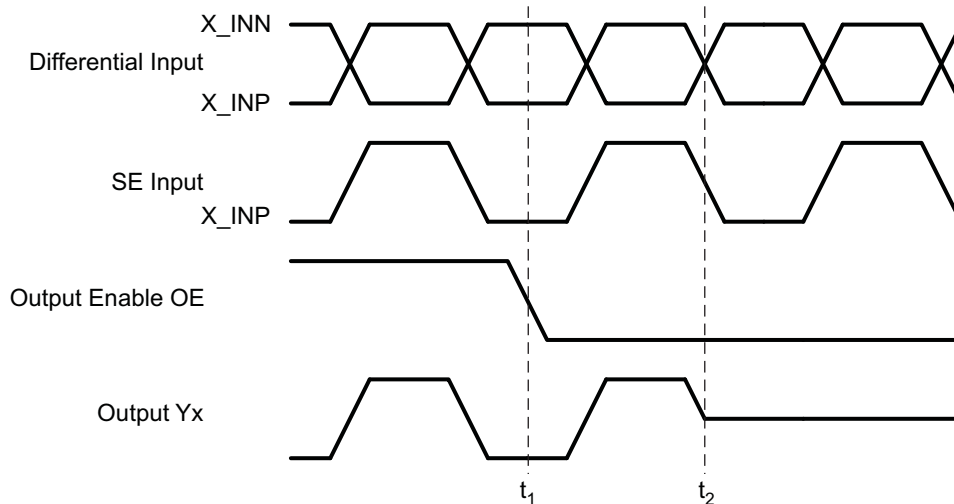


Figure 16. OE: Disable Outputs



If the outputs are in the high-impedance state, pulling OE to HIGH forces all outputs LOW asynchronously ( $t_3$ ). Within two clock cycles (maximum), the outputs start switching again ( $t_4$ ), after a falling edge of the input signal (see Figure 17).

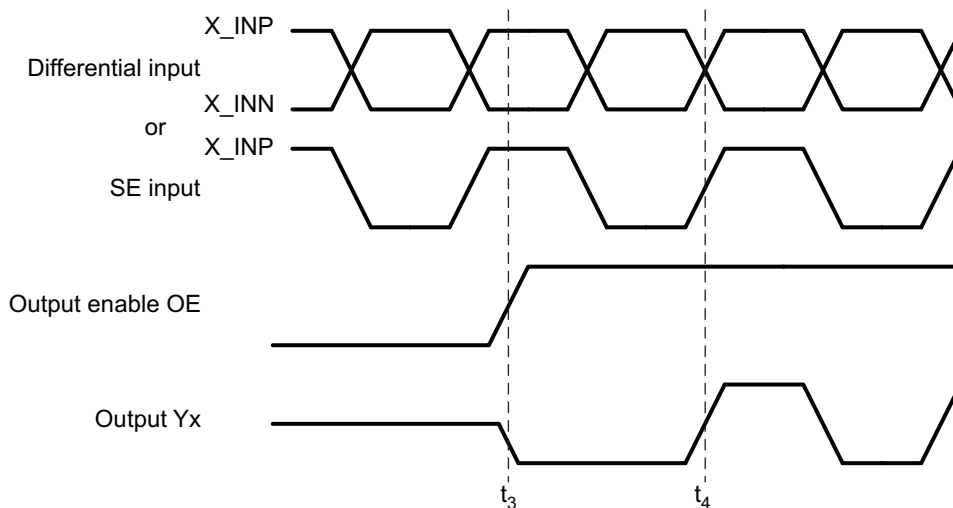


Figure 17. OE: Enable Outputs

If the outputs are in the high-impedance state and the input is static (no clock signal), OE works fully asynchronously. A transition of OE from LOW to HIGH forces the outputs to LOW. A transition from HIGH to LOW does not force to the high-impedance state again. Therefore, a state change requires a falling edge of the input signal (see Figure 16).

### MUX Isolation

The definition of MUX isolation is the difference in output amplitude (dB) between an active and a static input signal.

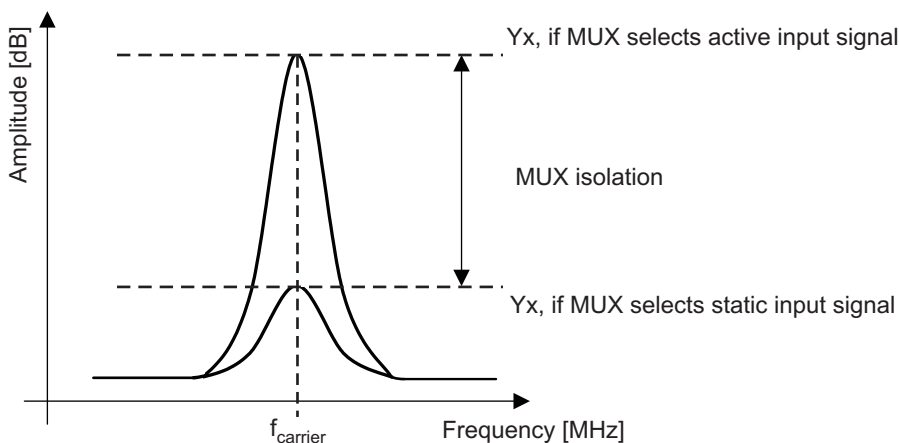
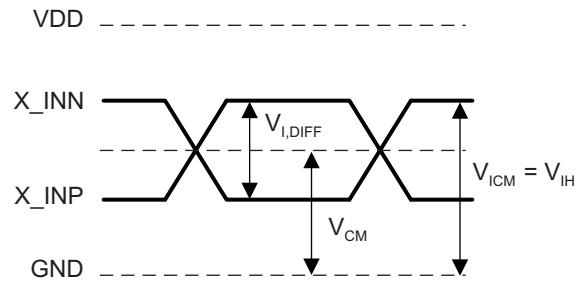


Figure 18. Output Spectrum of an Active and a Static Input Signal

## Differential Input Level



NOTE: The calculation for V<sub>CM</sub> is:  $V_{CM} = V_{DD} - V_{ICM} - V_{I,DIFF}/2$

**Figure 19. Differential Input Level**

## Power Considerations

The following power consideration refers to the device-consumed power consumption only. The device power consumption is the sum of static power and dynamic power. The dynamic power usage consists of two components:

- Power used by the device as it switches states
- Power required to charge any output load

The output load can be capacitive-only or capacitive and resistive. Use the following formula to calculate the power consumption of the device:

$$P_{Dev} = P_{stat} + P_{dyn} + P_{Cload} \text{ (see Figure 20 and Figure 21)}$$

$$P_{stat} = I_{DD} \times V_{DD}$$

$$P_{dyn} + P_{Cload} = (I_{DD,dyn} + I_{DD,Cload}) \times V_{DDO}$$

where:

$$I_{DD,dyn} = C_{PD} \times V_{DDO} \times f \times n \text{ [mA]} \text{ (see Figure 22)}$$

$$I_{DD,Cload} = C_{load} \times V_{DDO} \times f \times n \text{ [mA]}$$

Example for power consumption of the CDCLVC1310: 10 outputs are switching,  $f = 100 \text{ MHz}$ ,  $V_{DD} = V_{DDO} = 3.3 \text{ V}$  and assuming  $C_{load} = 2 \text{ pF}$  per output:

$$P_{Dev} = 46.2 \text{ mW} + 117.5 \text{ mW} = 163.7 \text{ mW}$$

$$P_{stat} = 14 \text{ mA} \times 3.3 \text{ V} = 46.2 \text{ mW}$$

$$P_{dyn} + P_{Cload} = (29 \text{ mA} + 6.6 \text{ mA}) \times 3.3 \text{ V} = 117.5 \text{ mW}$$

$$I_{DD,dyn} = 8.8 \text{ pF} \times 3.3 \text{ V} \times 100 \text{ MHz} \times 10 = 29 \text{ mA}$$

$$I_{DD,Cload} = 2 \text{ pF} \times 3.3 \text{ V} \times 100 \text{ MHz} \times 10 = 6.6 \text{ mA}$$

### NOTE

For dimensioning the power supply, consider the total power consumption. The total power consumption is the sum of device power consumption and the power consumption of the load.

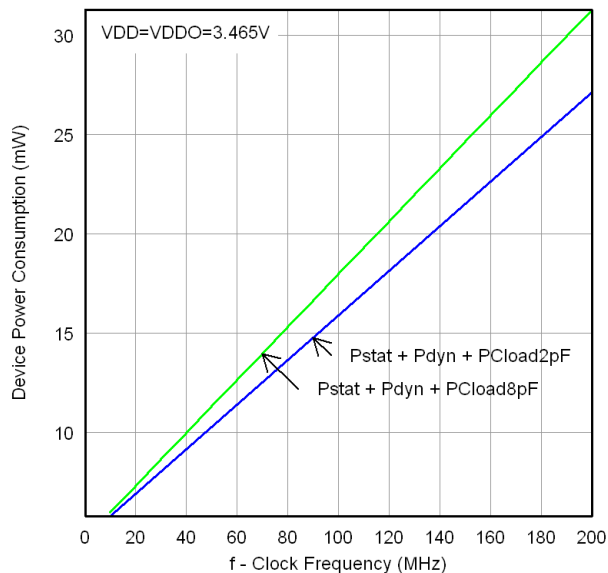


Figure 20. Device Power Consumption versus Clock Frequency (VDD = VDDO = 3.465 V; Load 2 pF, 8 pF; per Output)

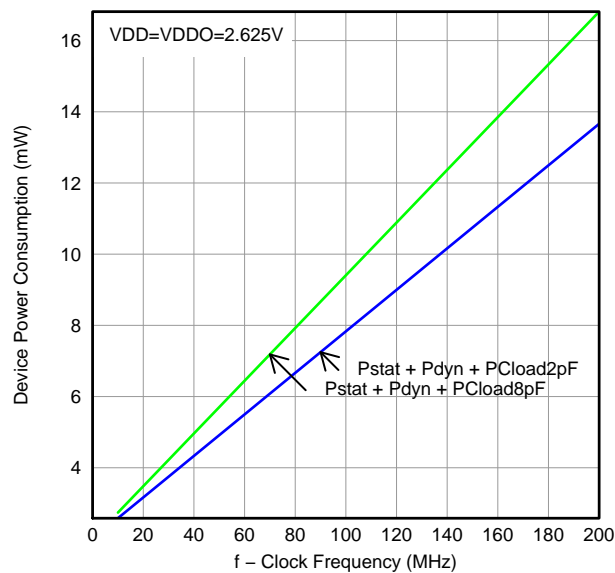


Figure 21. Device Power Consumption versus Clock Frequency (VDD = VDDO = 2.625 V; Load 2 pF, 8 pF; per Output)

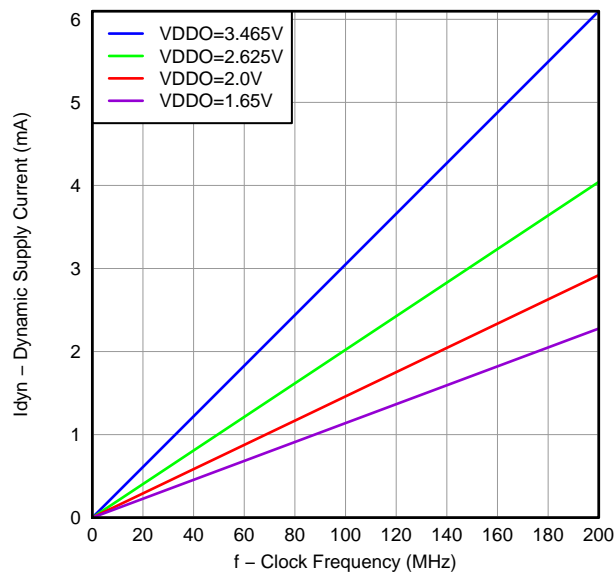


Figure 22. Dynamic Supply Current versus Clock Frequency (per Output)

## Thermal Management

Power consumption of the CDCLVC1310 can be high enough to require attention to thermal management. For reliability and performance reasons, limit the die temperature to a maximum of 125°C. That is, as an estimate,  $T_A$  (ambient temperature) plus device power consumption times  $\theta_{JA}$  should not exceed 125°C.

The device package has an exposed pad that provides the primary heat removal path as well as an electrical grounding to the printed circuit board (PCB). To maximize the removal of heat from the package, incorporate a thermal landing pattern including multiple vias to a ground plane on the PCB within the footprint of the package. Solder the exposed pad down to ensure adequate heat conduction out of the package. Figure 23 shows a recommended land and via pattern.

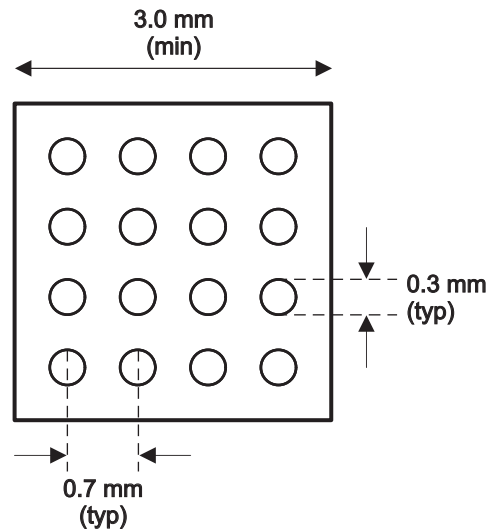
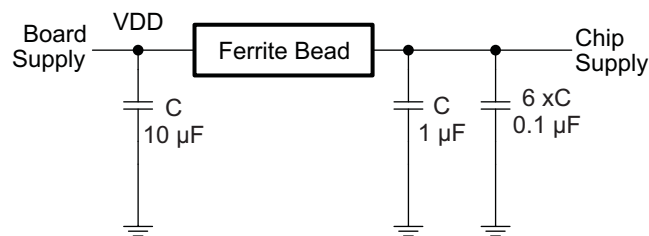


Figure 23. Recommended PCB Layout for CDCLVC1310

## Power-Supply Filtering

High-performance clock buffers are sensitive to noise on the power supply, which can dramatically increase the additive jitter of the buffer. Thus, it is essential to reduce noise from the system power supply, especially when jitter or phase noise is very critical to applications.

Use of filter capacitors eliminates the low-frequency noise from power supply, where the bypass capacitors provide the very low-impedance path for high-frequency noise and guard the power-supply system against induced fluctuations. The bypass capacitors also provide instantaneous current surges as required by the device, and should have low ESR. To use the bypass capacitors properly, place them very close to the power supply pins and lay out traces with short loops to minimize inductance. TI recommends to adding as many high-frequency (for example, 0.1- $\mu\text{F}$ ) bypass capacitors as there are supply pins in the package. There is a recommendation, but not a requirement, to insert a ferrite bead between the board power supply and the chip power supply to isolate the high-frequency switching noises generated by the clock driver, preventing them from leaking into the board supply. Choosing an appropriate ferrite bead with very low dc resistance is important, because it is imperative to provide adequate isolation between the board supply and the chip supply, and to maintain a voltage at the supply pins that is greater than the minimum voltage required for proper operation.



**Figure 24. Power-Supply Decoupling**

## REVISION HISTORY

<b>Changes from Revision D (July 2013) to Revision E</b>	<b>Page</b>
• Changed $V_{OH}$ in LVCMOS OUTPUT CHARACTERISTICS .....	7
• Changed $V_{OL}$ in LVCMOS OUTPUT CHARACTERISTICS .....	7
• Changed $t_{SLEW-RATE}$ in LVCMOS OUTPUT CHARACTERISTICS .....	7
<b>Changes from Revision C (October 2012) to Revision D</b>	
• Changed $t_{DELAY}$ in LVCMOS OUTPUT CHARACTERISTICS .....	8
<b>Changes from Revision B (February 2012) to Revision C</b>	
• Changed unit for phase jitter from picosecond to femtosecond .....	9
• Revised <a href="#">Figure 3</a> .....	10
• Revised <a href="#">Figure 4</a> .....	10
• Revised <a href="#">Figure 5</a> .....	11
• Revised <a href="#">Figure 6</a> .....	11
• Revised <a href="#">Figure 8</a> .....	12
• Added reference to application report SCAA119 .....	14

**PACKAGING INFORMATION**

Orderable Device	Status (1)	Package Type	Package Drawing	Pins	Package Qty	Eco Plan (2)	Lead finish/ Ball material (6)	MSL Peak Temp (3)	Op Temp (°C)	Device Marking (4/5)	Samples
CDCLVC1310RHBR	ACTIVE	VQFN	RHB	32	3000	RoHS & Green	NIPDAU	Level-2-260C-1 YEAR	-40 to 85	CDCLVC 1310	<b>Samples</b>

(1) The marketing status values are defined as follows:

**ACTIVE:** Product device recommended for new designs.

**LIFEBUY:** TI has announced that the device will be discontinued, and a lifetime-buy period is in effect.

**NRND:** Not recommended for new designs. Device is in production to support existing customers, but TI does not recommend using this part in a new design.

**PREVIEW:** Device has been announced but is not in production. Samples may or may not be available.

**OBsolete:** TI has discontinued the production of the device.

(2) **RoHS:** TI defines "RoHS" to mean semiconductor products that are compliant with the current EU RoHS requirements for all 10 RoHS substances, including the requirement that RoHS substance do not exceed 0.1% by weight in homogeneous materials. Where designed to be soldered at high temperatures, "RoHS" products are suitable for use in specified lead-free processes. TI may reference these types of products as "Pb-Free".

**RoHS Exempt:** TI defines "RoHS Exempt" to mean products that contain lead but are compliant with EU RoHS pursuant to a specific EU RoHS exemption.

**Green:** TI defines "Green" to mean the content of Chlorine (Cl) and Bromine (Br) based flame retardants meet JS709B low halogen requirements of <=100ppm threshold. Antimony trioxide based flame retardants must also meet the <=1000ppm threshold requirement.

(3) MSL, Peak Temp. - The Moisture Sensitivity Level rating according to the JEDEC industry standard classifications, and peak solder temperature.

(4) There may be additional marking, which relates to the logo, the lot trace code information, or the environmental category on the device.

(5) Multiple Device Markings will be inside parentheses. Only one Device Marking contained in parentheses and separated by a "~" will appear on a device. If a line is indented then it is a continuation of the previous line and the two combined represent the entire Device Marking for that device.

(6) Lead finish/Ball material - Orderable Devices may have multiple material finish options. Finish options are separated by a vertical ruled line. Lead finish/Ball material values may wrap to two lines if the finish value exceeds the maximum column width.

**Important Information and Disclaimer:**The information provided on this page represents TI's knowledge and belief as of the date that it is provided. TI bases its knowledge and belief on information provided by third parties, and makes no representation or warranty as to the accuracy of such information. Efforts are underway to better integrate information from third parties. TI has taken and continues to take reasonable steps to provide representative and accurate information but may not have conducted destructive testing or chemical analysis on incoming materials and chemicals. TI and TI suppliers consider certain information to be proprietary, and thus CAS numbers and other limited information may not be available for release.

In no event shall TI's liability arising out of such information exceed the total purchase price of the TI part(s) at issue in this document sold by TI to Customer on an annual basis.

**TAPE AND REEL INFORMATION**

**QUADRANT ASSIGNMENTS FOR PIN 1 ORIENTATION IN TAPE**


\*All dimensions are nominal

Device	Package Type	Package Drawing	Pins	SPQ	Reel Diameter (mm)	Reel Width W1 (mm)	A0 (mm)	B0 (mm)	K0 (mm)	P1 (mm)	W (mm)	Pin1 Quadrant
CDCLVC1310RHBR	VQFN	RHB	32	3000	330.0	12.4	5.3	5.3	1.1	8.0	12.0	Q2



**TAPE AND REEL BOX DIMENSIONS**


\*All dimensions are nominal

Device	Package Type	Package Drawing	Pins	SPQ	Length (mm)	Width (mm)	Height (mm)
CDCLVC1310RHBR	VQFN	RHB	32	3000	367.0	367.0	35.0

## GENERIC PACKAGE VIEW

**RHB 32**

**VQFN - 1 mm max height**

5 x 5, 0.5 mm pitch

PLASTIC QUAD FLATPACK - NO LEAD



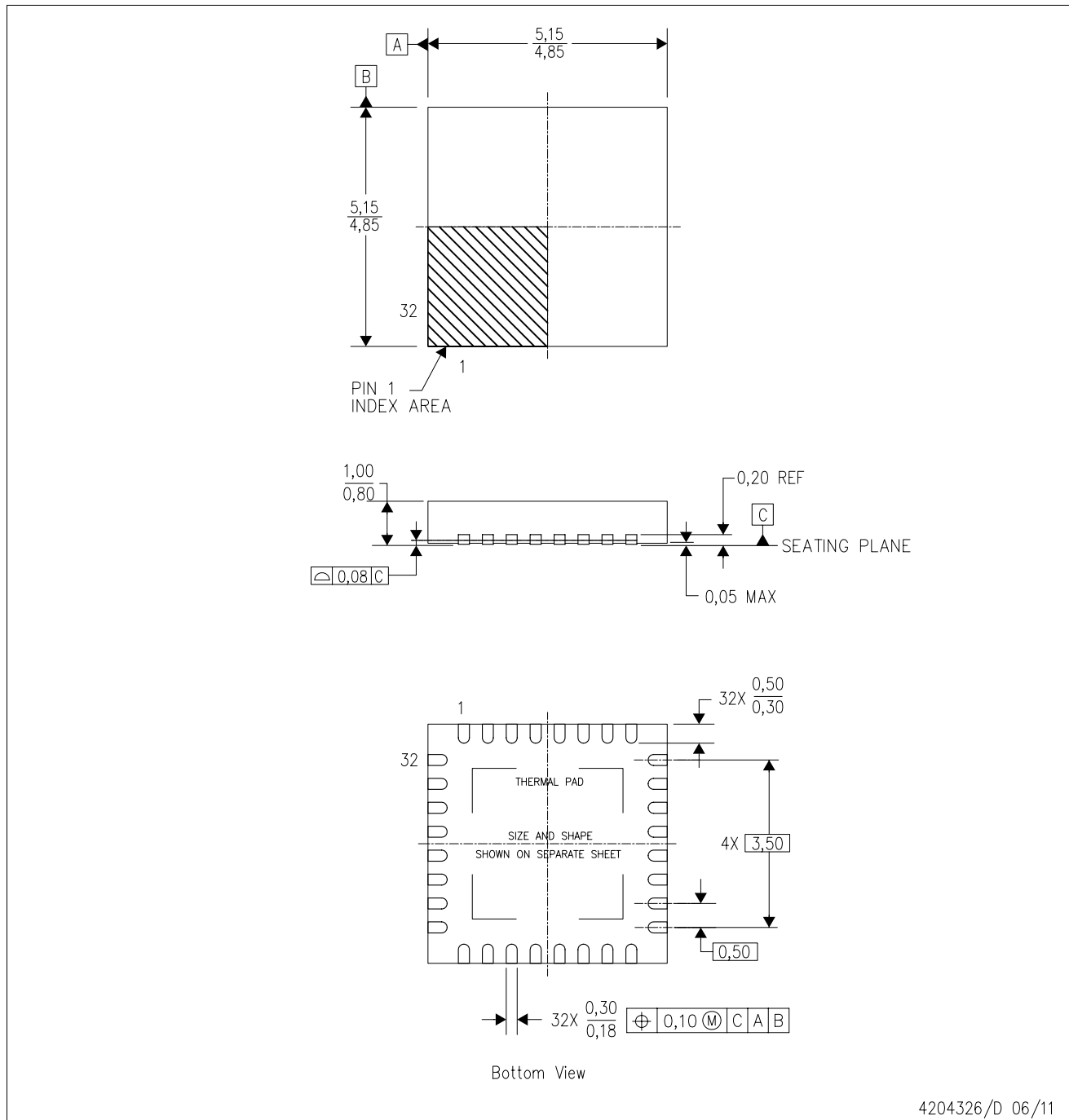
Images above are just a representation of the package family, actual package may vary.  
Refer to the product data sheet for package details.

4224745/A

# MECHANICAL DATA

RHB (S-PVQFN-N32)

PLASTIC QUAD FLATPACK NO-LEAD



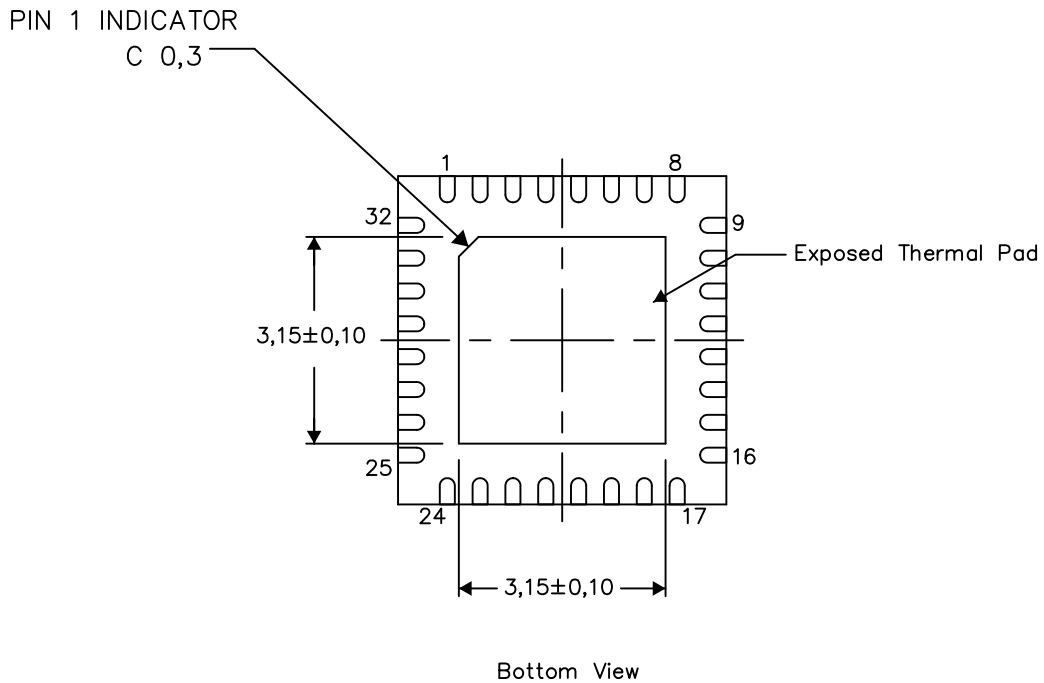
- NOTES:
- All linear dimensions are in millimeters. Dimensioning and tolerancing per ASME Y14.5M-1994.
  - This drawing is subject to change without notice.
  - QFN (Quad Flatpack No-Lead) Package configuration.
  - The package thermal pad must be soldered to the board for thermal and mechanical performance.
  - See the additional figure in the Product Data Sheet for details regarding the exposed thermal pad features and dimensions.
  - Falls within JEDEC MO-220.

THERMAL INFORMATION

This package incorporates an exposed thermal pad that is designed to be attached directly to an external heatsink. The thermal pad must be soldered directly to the printed circuit board (PCB). After soldering, the PCB can be used as a heatsink. In addition, through the use of thermal vias, the thermal pad can be attached directly to the appropriate copper plane shown in the electrical schematic for the device, or alternatively, can be attached to a special heatsink structure designed into the PCB. This design optimizes the heat transfer from the integrated circuit (IC).

For information on the Quad Flatpack No-Lead (QFN) package and its advantages, refer to Application Report, QFN/SON PCB Attachment, Texas Instruments Literature No. SLUA271. This document is available at [www.ti.com](http://www.ti.com).

The exposed thermal pad dimensions for this package are shown in the following illustration.



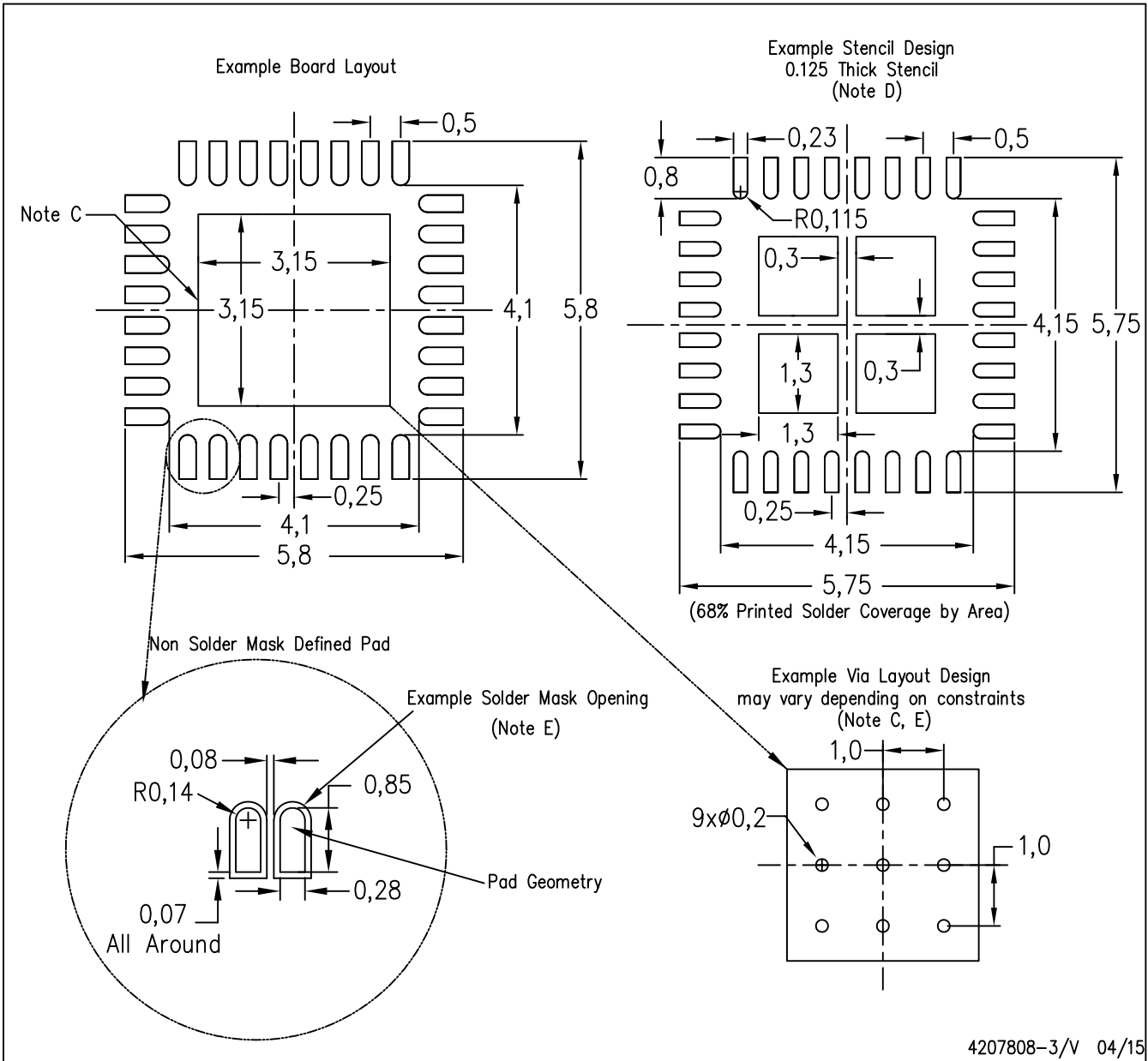
Exposed Thermal Pad Dimensions

4206356-3/AC 05/15

NOTE: A. All linear dimensions are in millimeters

RHB (S-PVQFN-N32)

PLASTIC QUAD FLATPACK NO-LEAD



- NOTES:
- A. All linear dimensions are in millimeters.
  - B. This drawing is subject to change without notice.
  - C. This package is designed to be soldered to a thermal pad on the board. Refer to Application Note, Quad Flat-Pack Packages, Texas Instruments Literature No. SLUA271, and also the Product Data Sheets for specific thermal information, via requirements, and recommended board layout. These documents are available at [www.ti.com](http://www.ti.com) <<http://www.ti.com>>.
  - D. Laser cutting apertures with trapezoidal walls and also rounding corners will offer better paste release. Customers should contact their board assembly site for stencil design recommendations. Refer to IPC 7525 for stencil design considerations.
  - E. Customers should contact their board fabrication site for recommended solder mask tolerances and via tenting recommendations for any larger diameter vias placed in the thermal pad.

## IMPORTANT NOTICE AND DISCLAIMER

TI PROVIDES TECHNICAL AND RELIABILITY DATA (INCLUDING DATA SHEETS), DESIGN RESOURCES (INCLUDING REFERENCE DESIGNS), APPLICATION OR OTHER DESIGN ADVICE, WEB TOOLS, SAFETY INFORMATION, AND OTHER RESOURCES "AS IS" AND WITH ALL FAULTS, AND DISCLAIMS ALL WARRANTIES, EXPRESS AND IMPLIED, INCLUDING WITHOUT LIMITATION ANY IMPLIED WARRANTIES OF MERCHANTABILITY, FITNESS FOR A PARTICULAR PURPOSE OR NON-INFRINGEMENT OF THIRD PARTY INTELLECTUAL PROPERTY RIGHTS.

These resources are intended for skilled developers designing with TI products. You are solely responsible for (1) selecting the appropriate TI products for your application, (2) designing, validating and testing your application, and (3) ensuring your application meets applicable standards, and any other safety, security, regulatory or other requirements.

These resources are subject to change without notice. TI grants you permission to use these resources only for development of an application that uses the TI products described in the resource. Other reproduction and display of these resources is prohibited. No license is granted to any other TI intellectual property right or to any third party intellectual property right. TI disclaims responsibility for, and you will fully indemnify TI and its representatives against, any claims, damages, costs, losses, and liabilities arising out of your use of these resources.

TI's products are provided subject to [TI's Terms of Sale](#) or other applicable terms available either on [ti.com](https://www.ti.com) or provided in conjunction with such TI products. TI's provision of these resources does not expand or otherwise alter TI's applicable warranties or warranty disclaimers for TI products.

TI objects to and rejects any additional or different terms you may have proposed.

Mailing Address: Texas Instruments, Post Office Box 655303, Dallas, Texas 75265  
Copyright © 2023, Texas Instruments Incorporated