

DDC2256A 256-Channel, Current-Input Analog-To-Digital Converter

1 Features

- Single-Chip Solution to Directly Measure 256 Low-Level Currents Simultaneously
- User Adjustable Full-Scale Range
- Adjustable Speed with Integration Times as Low as 58.8 μs (17 KSPS per channel) with 24 bit Resolution
- Power Dissipation as Low as 1.7mW/channel
- Integral Linearity: $\pm 0.025\%$ of Reading ± 1 ppm of Full Scale Reading (all channels active)
- Low Noise
- 24 bit ADC
- No Charge Loss and Simultaneous Sampling
- On-board Temperature Sensor
- In-Package Bypass Capacitors and Reference Buffer to Reduce PCB Area and Design Complexity
- Serial LVDS and CMOS Output Interface Option

2 Applications

- CT Scanner Data Acquisition System
- Photodiode Sensors
- X-ray Detection Systems
- Optical Fiber Power Monitoring
- Multichannel Current/Voltage Instrumentation

3 Description

The DDC2256A is a 24-bit, 256-channel, current-input analog-to-digital (A/D) converter. It combines both current-to-voltage integration and A/D conversion so that 256 individual low-level current output devices, such as photodiodes, can be directly connected to its inputs and digitized in parallel (simultaneously).

For each of the inputs, the DDC2256A has one low noise/low power integrator designed to capture all the charge from the sensor. The integration time is adjustable from 58.8 μs to 100 ms, allowing currents from fA to μA to be continuously measured with outstanding precision. The outputs of the integrators are digitized by sixteen 24-bit low power ADCs and all the resulting data is output over a single LVDS serial interface pair designed to minimize noise coupling in environments with high channel count.

The DDC2256A operates from $\pm 2.5\text{-V}$ analog supply, 1.8-V analog supply (AVDD_18) and 1.8-V digital supply (DVDD). The device is specified from 0°C to 70°C operating temperature and available in a 14 x 16 mm² 323-ball 0.8 mm-pitch BGA. Finally, the on board reference buffer and bypass capacitors help minimize the external component requirements and further reduce board space.

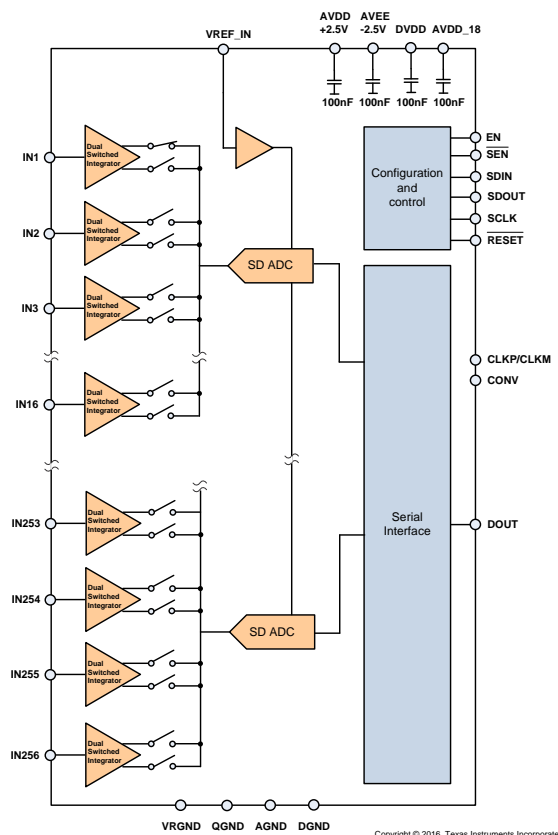
To request a full data sheet or other design resources: [request DDC2256A](#)

Device Information (1)

PART NUMBER	PACKAGE	BODY SIZE (NOM)
DDC2256A	NFBGA (323)	16.0 mm x 14.0 mm

(1) For all available packages, see the orderable addendum at the end of the data sheet.

Block Diagram



4 Revision History

NOTE: Page numbers for previous revisions may differ from page numbers in the current version.

Changes from Revision A (April 2016) to Revision B	Page
---	-------------

- Added link to request full data sheet [1](#)
-

Changes from Original (March 2016) to Revision A	Page
---	-------------

- Changed From: Product Preview To: Production [1](#)
-

5 Device and Documentation Support

5.1 Documentation Support

1-A, *Ultralow-Noise Negative Voltage Regulator*, [SBVS169](#)

5.2 Community Resources

The following links connect to TI community resources. Linked contents are provided "AS IS" by the respective contributors. They do not constitute TI specifications and do not necessarily reflect TI's views; see TI's [Terms of Use](#).

TI E2E™ Online Community *TI's Engineer-to-Engineer (E2E) Community*. Created to foster collaboration among engineers. At [e2e.ti.com](#), you can ask questions, share knowledge, explore ideas and help solve problems with fellow engineers.

Design Support *TI's Design Support* Quickly find helpful E2E forums along with design support tools and contact information for technical support.

5.3 Trademarks

E2E is a trademark of Texas Instruments.

5.4 Electrostatic Discharge Caution



These devices have limited built-in ESD protection. The leads should be shorted together or the device placed in conductive foam during storage or handling to prevent electrostatic damage to the MOS gates.

5.5 Glossary

[SLYZ022](#) — *TI Glossary*.

This glossary lists and explains terms, acronyms, and definitions.

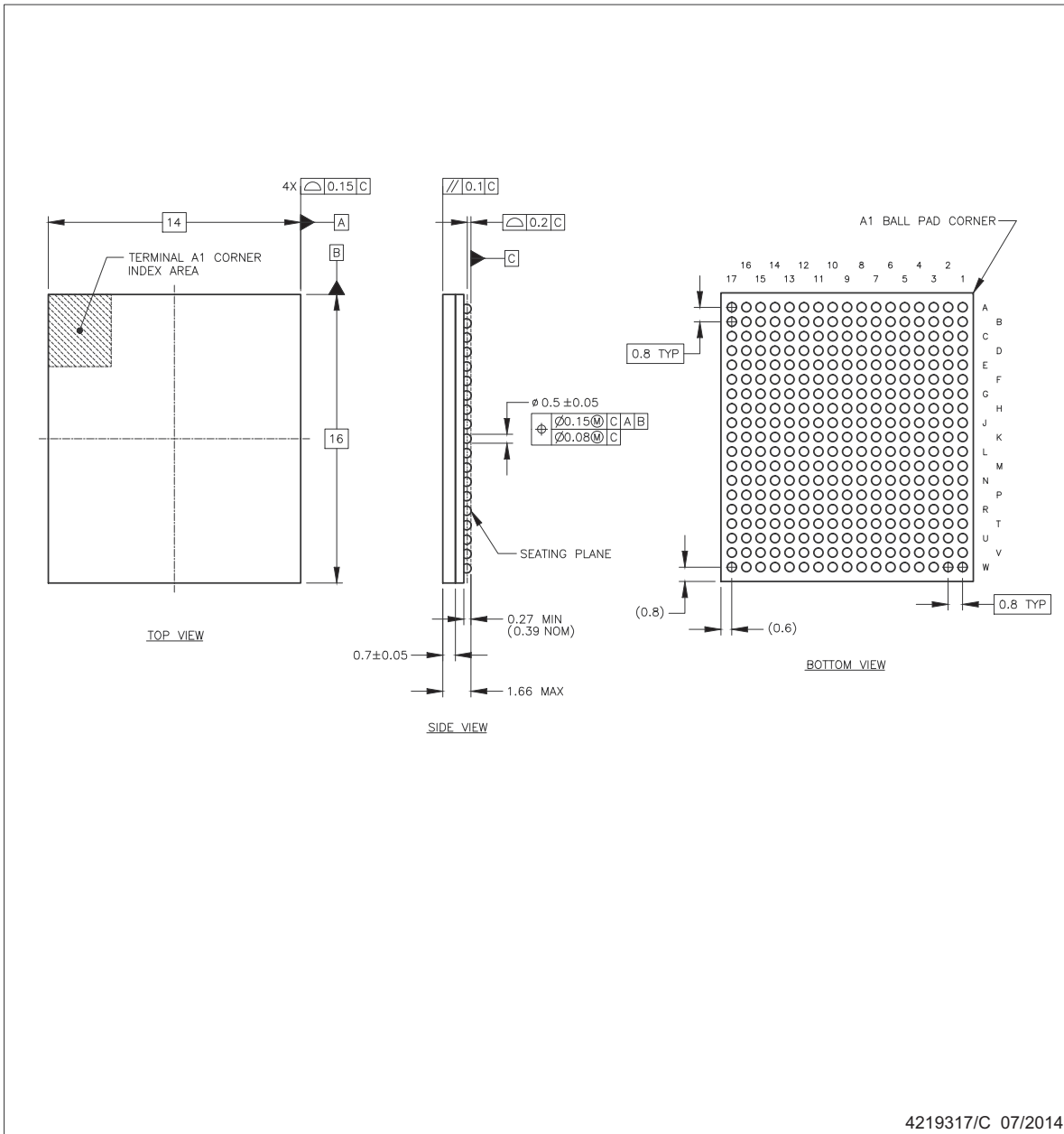
6 Mechanical, Packaging, and Orderable Information

The following pages include mechanical packaging and orderable information. This information is the most current data available for the designated devices. This data is subject to change without notice and revision of this document. For browser-based versions of this data sheet, refer to the left-hand navigation.

ZZF0323A

PACKAGE OUTLINE
NFBGA - 1.66 mm max height

BGA



NOTES:

1. All linear dimensions are in millimeters. Any dimensions in parenthesis are for reference only. Dimensioning and tolerancing per ASME Y14.5M.
2. This drawing is subject to change without notice.

PACKAGING INFORMATION

Orderable Device	Status (1)	Package Type	Package Drawing	Pins	Package Qty	Eco Plan (2)	Lead finish/ Ball material (6)	MSL Peak Temp (3)	Op Temp (°C)	Device Marking (4/5)	Samples
DDC2256AZZF	ACTIVE	NFBGA	ZZF	323	84	RoHS & Green	SNAGCU	Level-3-260C-168 HR	0 to 70	DDC2256A	Samples

(1) The marketing status values are defined as follows:

ACTIVE: Product device recommended for new designs.

LIFEBUY: TI has announced that the device will be discontinued, and a lifetime-buy period is in effect.

NRND: Not recommended for new designs. Device is in production to support existing customers, but TI does not recommend using this part in a new design.

PREVIEW: Device has been announced but is not in production. Samples may or may not be available.

OBSOLETE: TI has discontinued the production of the device.

(2) **RoHS:** TI defines "RoHS" to mean semiconductor products that are compliant with the current EU RoHS requirements for all 10 RoHS substances, including the requirement that RoHS substance do not exceed 0.1% by weight in homogeneous materials. Where designed to be soldered at high temperatures, "RoHS" products are suitable for use in specified lead-free processes. TI may reference these types of products as "Pb-Free".

RoHS Exempt: TI defines "RoHS Exempt" to mean products that contain lead but are compliant with EU RoHS pursuant to a specific EU RoHS exemption.

Green: TI defines "Green" to mean the content of Chlorine (Cl) and Bromine (Br) based flame retardants meet JS709B low halogen requirements of <=1000ppm threshold. Antimony trioxide based flame retardants must also meet the <=1000ppm threshold requirement.

(3) MSL, Peak Temp. - The Moisture Sensitivity Level rating according to the JEDEC industry standard classifications, and peak solder temperature.

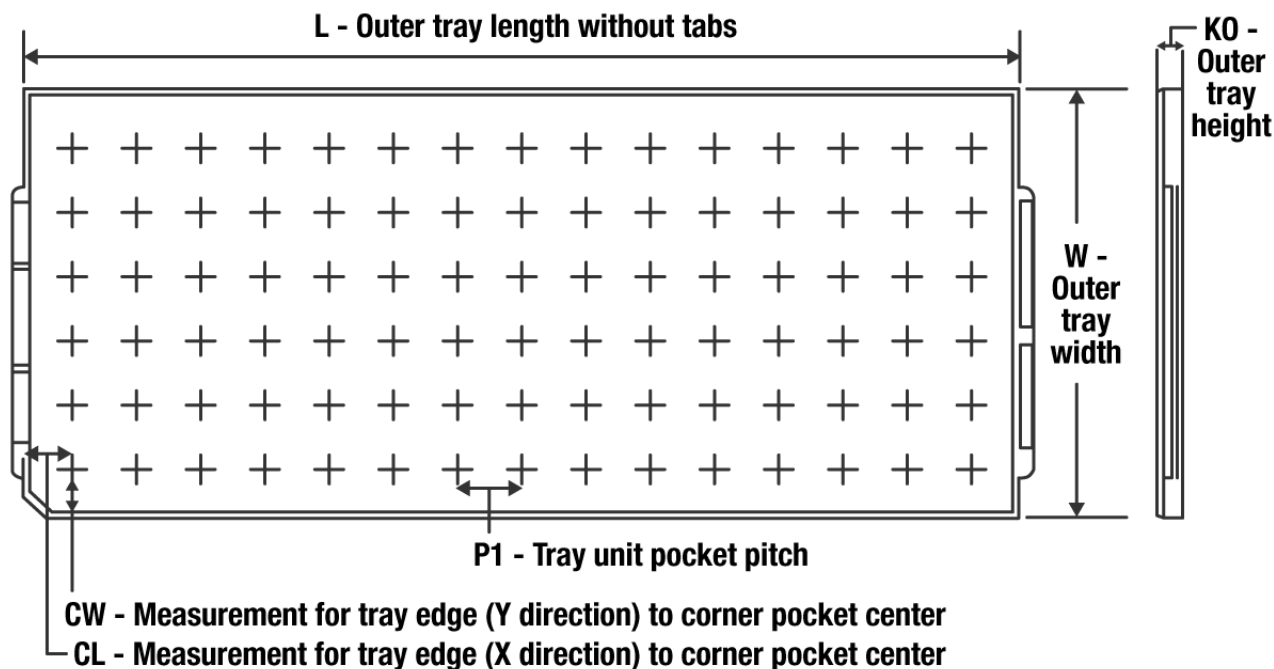
(4) There may be additional marking, which relates to the logo, the lot trace code information, or the environmental category on the device.

(5) Multiple Device Markings will be inside parentheses. Only one Device Marking contained in parentheses and separated by a "-" will appear on a device. If a line is indented then it is a continuation of the previous line and the two combined represent the entire Device Marking for that device.

(6) Lead finish/Ball material - Orderable Devices may have multiple material finish options. Finish options are separated by a vertical ruled line. Lead finish/Ball material values may wrap to two lines if the finish value exceeds the maximum column width.

Important Information and Disclaimer:The information provided on this page represents TI's knowledge and belief as of the date that it is provided. TI bases its knowledge and belief on information provided by third parties, and makes no representation or warranty as to the accuracy of such information. Efforts are underway to better integrate information from third parties. TI has taken and continues to take reasonable steps to provide representative and accurate information but may not have conducted destructive testing or chemical analysis on incoming materials and chemicals. TI and TI suppliers consider certain information to be proprietary, and thus CAS numbers and other limited information may not be available for release.

In no event shall TI's liability arising out of such information exceed the total purchase price of the TI part(s) at issue in this document sold by TI to Customer on an annual basis.

TRAY


Chamfer on Tray corner indicates Pin 1 orientation of packed units.

*All dimensions are nominal

Device	Package Name	Package Type	Pins	SPQ	Unit array matrix	Max temperature (°C)	L (mm)	W (mm)	K0 (µm)	P1 (mm)	CL (mm)	CW (mm)
DDC2256AZZF	ZZF	NFBGA	323	84	6 X 14	150	315	135.9	7620	22	14.5	14.45

IMPORTANT NOTICE AND DISCLAIMER

TI PROVIDES TECHNICAL AND RELIABILITY DATA (INCLUDING DATA SHEETS), DESIGN RESOURCES (INCLUDING REFERENCE DESIGNS), APPLICATION OR OTHER DESIGN ADVICE, WEB TOOLS, SAFETY INFORMATION, AND OTHER RESOURCES "AS IS" AND WITH ALL FAULTS, AND DISCLAIMS ALL WARRANTIES, EXPRESS AND IMPLIED, INCLUDING WITHOUT LIMITATION ANY IMPLIED WARRANTIES OF MERCHANTABILITY, FITNESS FOR A PARTICULAR PURPOSE OR NON-INFRINGEMENT OF THIRD PARTY INTELLECTUAL PROPERTY RIGHTS.

These resources are intended for skilled developers designing with TI products. You are solely responsible for (1) selecting the appropriate TI products for your application, (2) designing, validating and testing your application, and (3) ensuring your application meets applicable standards, and any other safety, security, regulatory or other requirements.

These resources are subject to change without notice. TI grants you permission to use these resources only for development of an application that uses the TI products described in the resource. Other reproduction and display of these resources is prohibited. No license is granted to any other TI intellectual property right or to any third party intellectual property right. TI disclaims responsibility for, and you will fully indemnify TI and its representatives against, any claims, damages, costs, losses, and liabilities arising out of your use of these resources.

TI's products are provided subject to [TI's Terms of Sale](#) or other applicable terms available either on ti.com or provided in conjunction with such TI products. TI's provision of these resources does not expand or otherwise alter TI's applicable warranties or warranty disclaimers for TI products.

TI objects to and rejects any additional or different terms you may have proposed.

Mailing Address: Texas Instruments, Post Office Box 655303, Dallas, Texas 75265
Copyright © 2022, Texas Instruments Incorporated