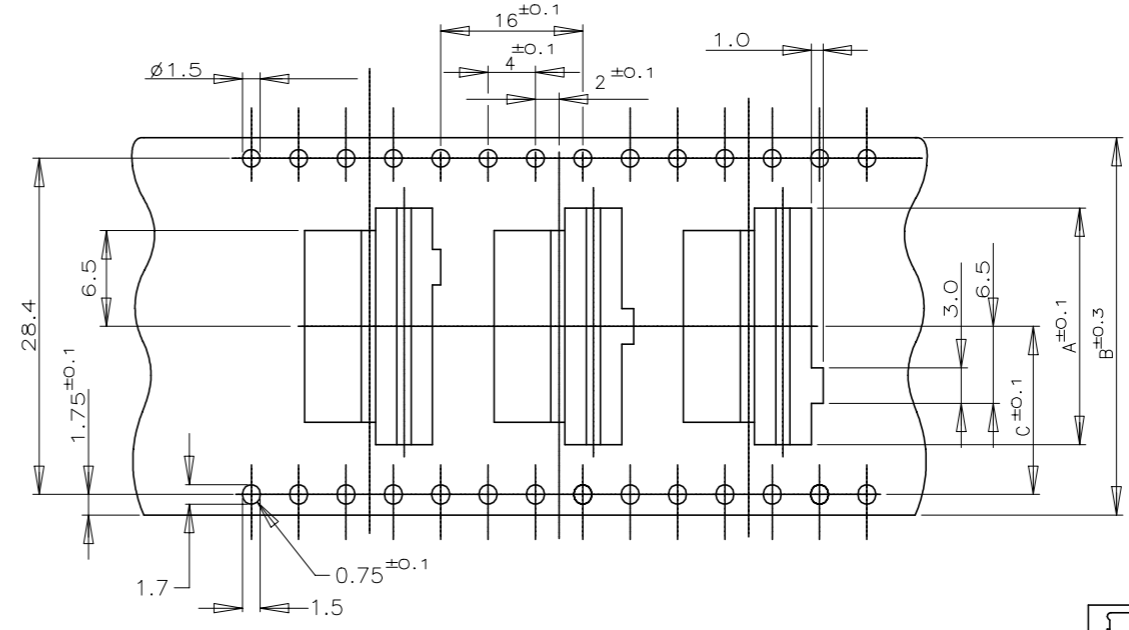
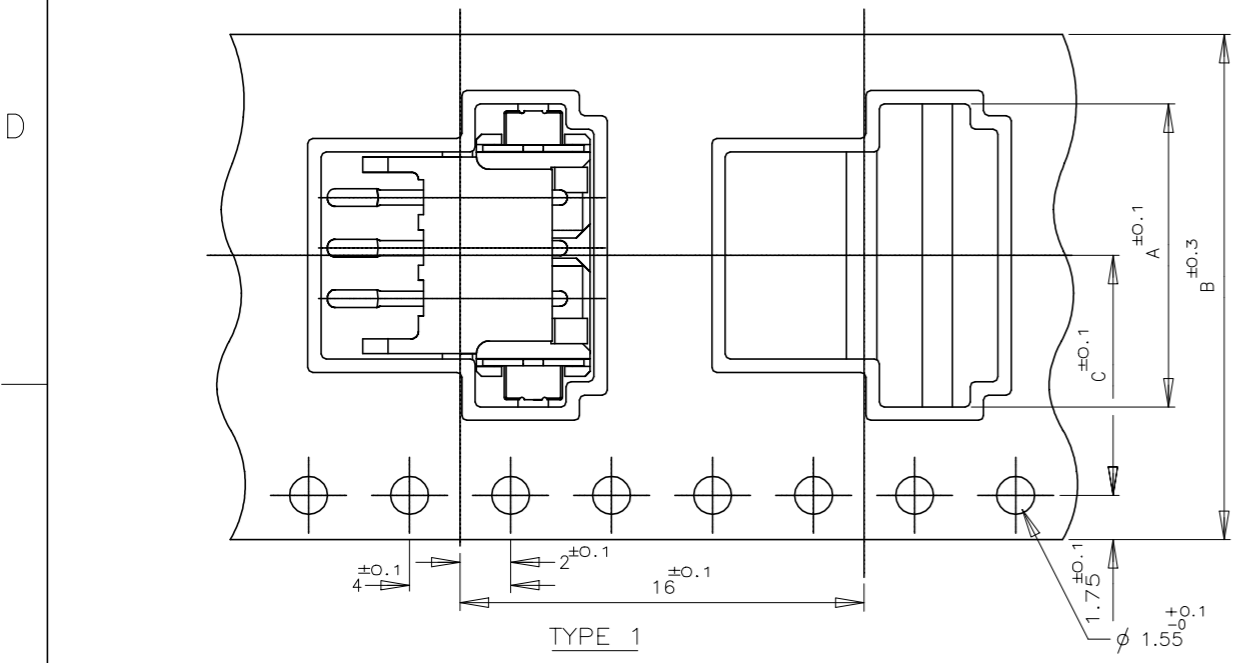
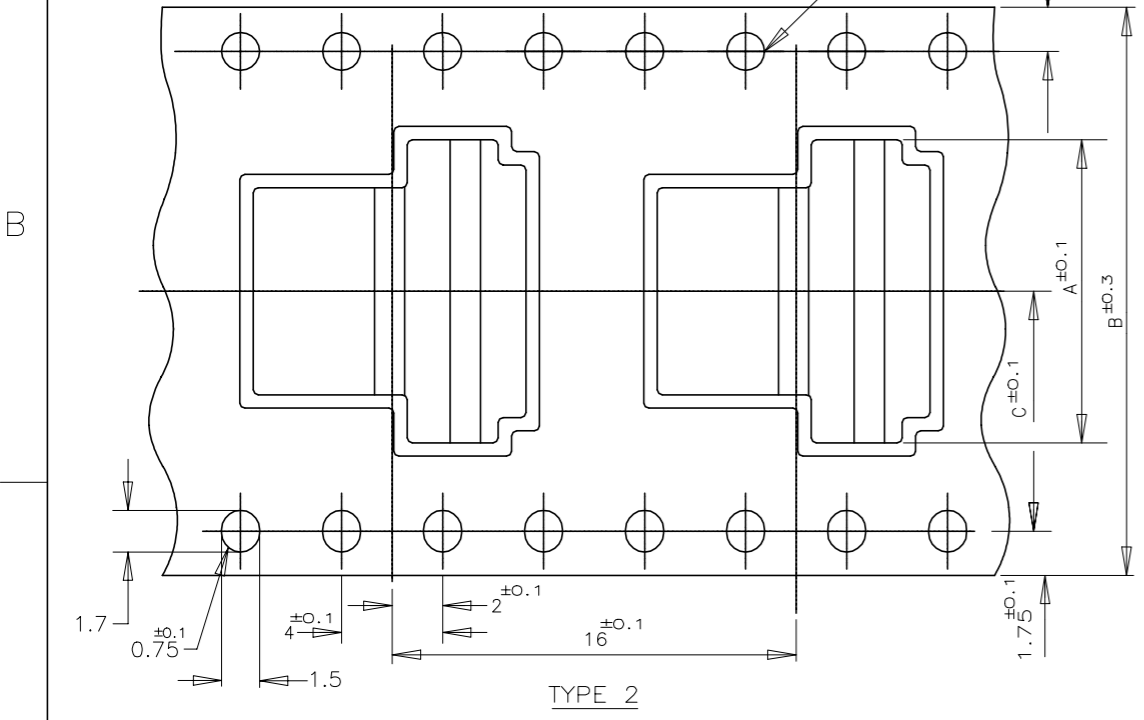
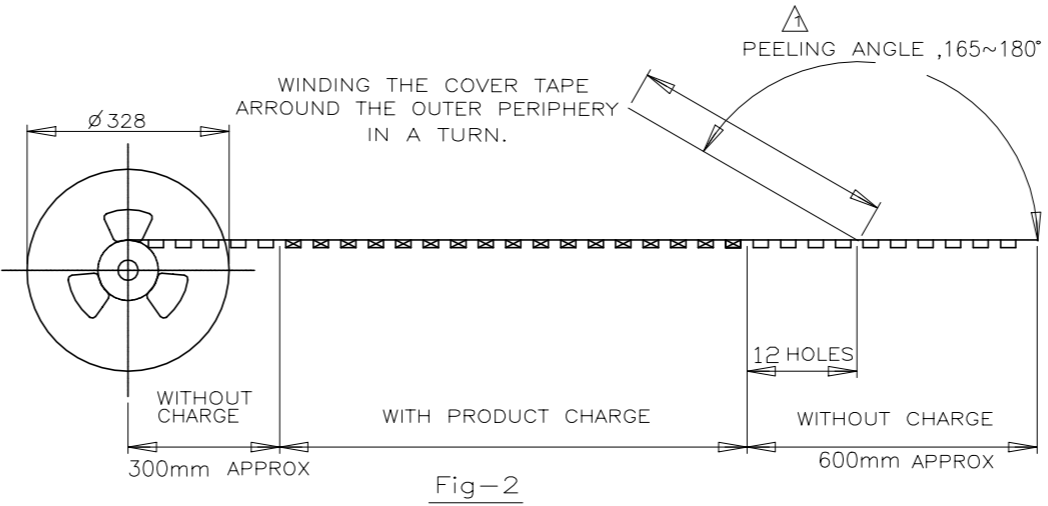
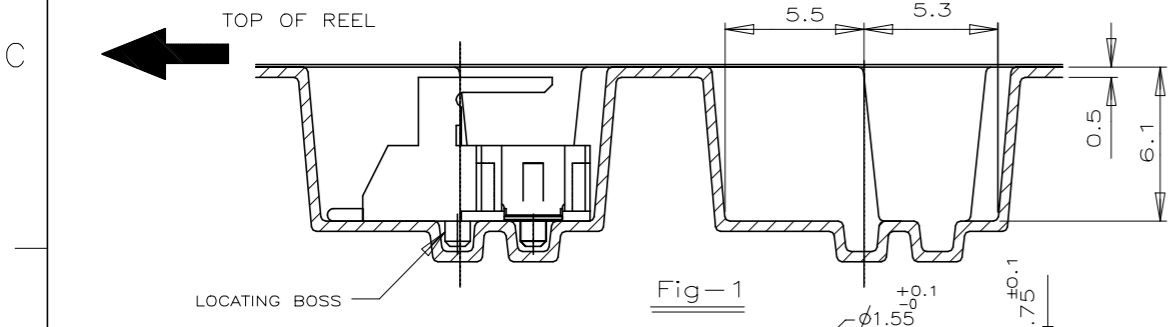
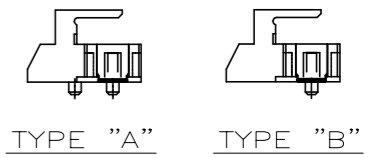


REVISIONS				
P	LTR	DESCRIPTION	DATE	DWN APVD
C5		ECR-22-127164	26OCT2021	T.Q N.S

(AS SHOWN : 3P)



THREE KINDS OF DIFFERENT POCKETS AS 1 SET USED FOR 7P ONLY



COLOR	PLATE	TAPE TYPE	TYPE OF BOSS	C		B		A		QTY/ REEL	Pos	TAPING P/N
				WITH	WITHOUT	WITH	WITHOUT	WITH	WITHOUT			
NATURAL	TYPE 2	B	20.2	44	24	500	9	1-	292173-9	8	1-	-8
	TYPE 2	B	14.2	32	18	6	1-	-6				
									TYPE 1	B	11.5	24
	A	12	3	1-	-3							
						A	11.5	24		10	2	1-
BLACK	TYPE 2	B	20.2	44	24							
						TYPE 3	B	14.2	32	20	7	0-
	TYPE 2	B	14.2	32	18							
						TYPE 1	B	11.5	24	16	5	0-
	A	12	3	0-	-3							
							A	11.5	24	10	500	2

TOLERANCE UNLESS OTHERWISE SPECIFIED:

10 > *	: ±0.2
30 > * > 10	: ±0.25
100 > * > 30	: ±0.3
ANGLE	: ±3'

NOTES:

▲ PEELING RESISTANCE : 0.196N-0.686N (20gf-70gf)  
SPEED : 300mm/min

THIS DRAWING IS A CONTROLLED DOCUMENT.

DWN	JACK HOU	21SEP10
CHK	MARTIN LI	21SEP10
APVD	STEVEN YAO	21SEP10

PRODUCT SPEC

APPLICATION SPEC

WEIGHT

CUSTOMER DRAWING

SCALE  $1:1$  SHEET 1 of 8 REV C5

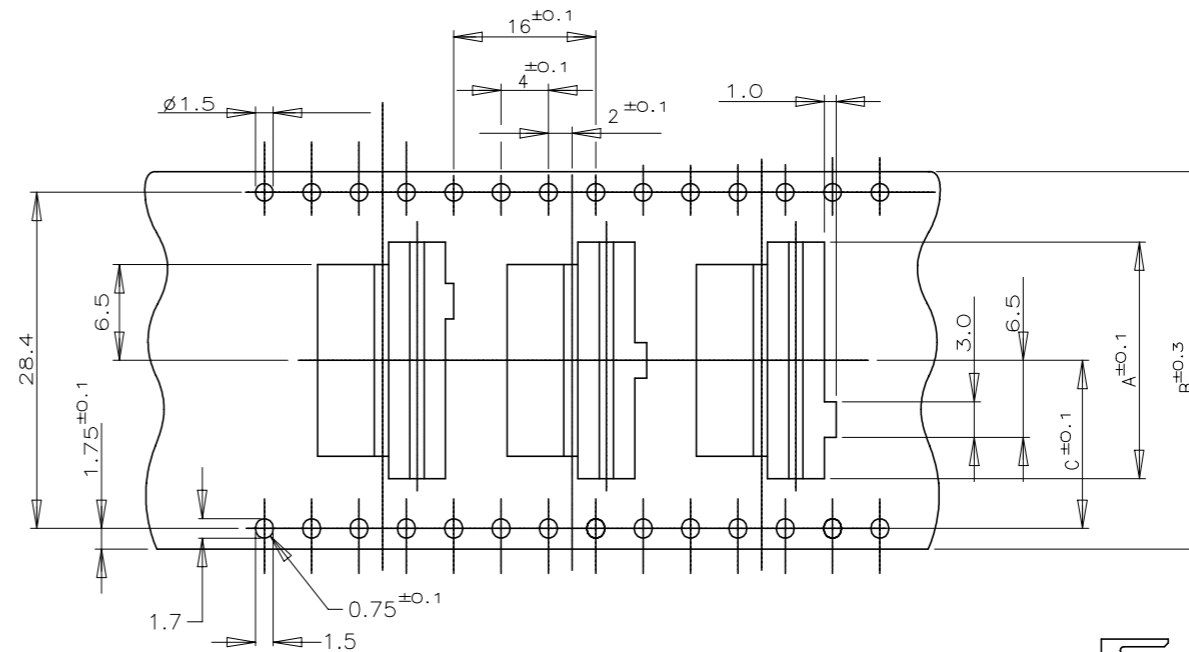
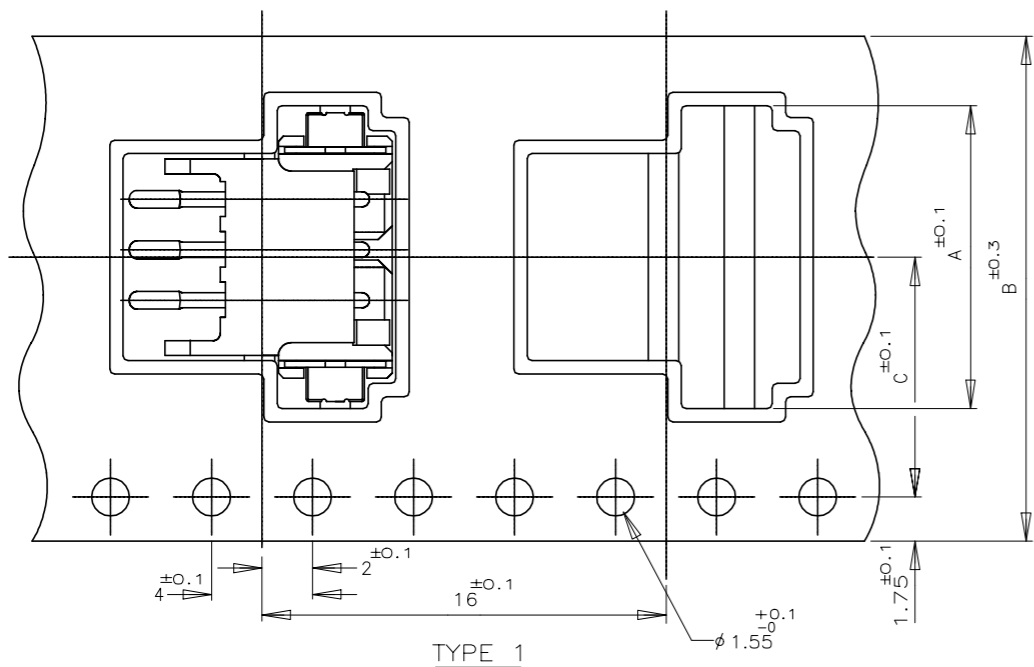
SIZE A3 CAGE CODE 00779 DRAWING NO C-292173 RESTRICTED TO

EMBOSS CT HEADER ASSY BOX-H SMT TYPE W/BOSS

TE Connectivity Ltd.

P	LTR	DESCRIPTION	DATE	DWN	APVD
-	-	SEE SHEET 1	-	-	-

(AS SHOWN : 3P)



TYPE 3 FOR 7P ONLY  
THREE KINDS OF DIFFERENT POCKETS AS 1 SET  
USED FOR 7P ONLY



TYPE "A"

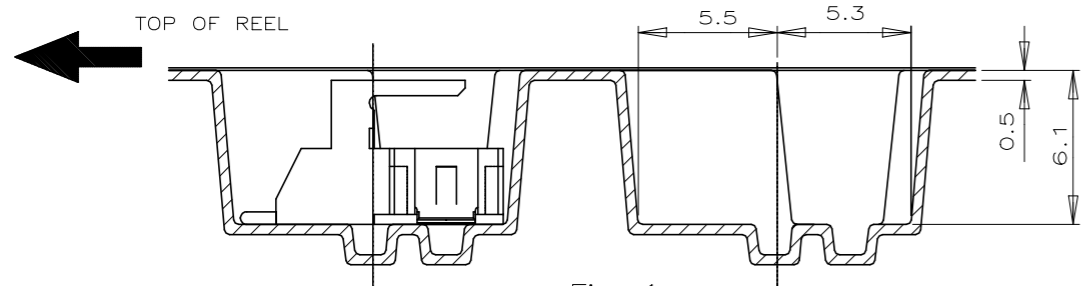
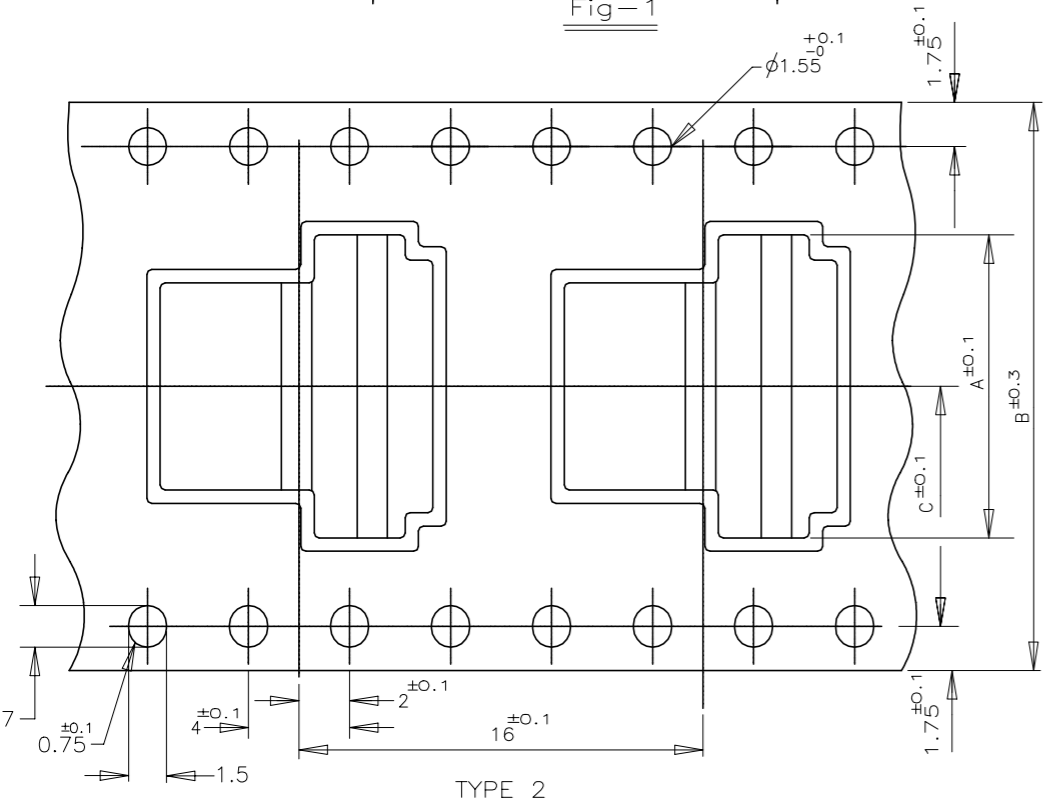


Fig-1



TYPE 2

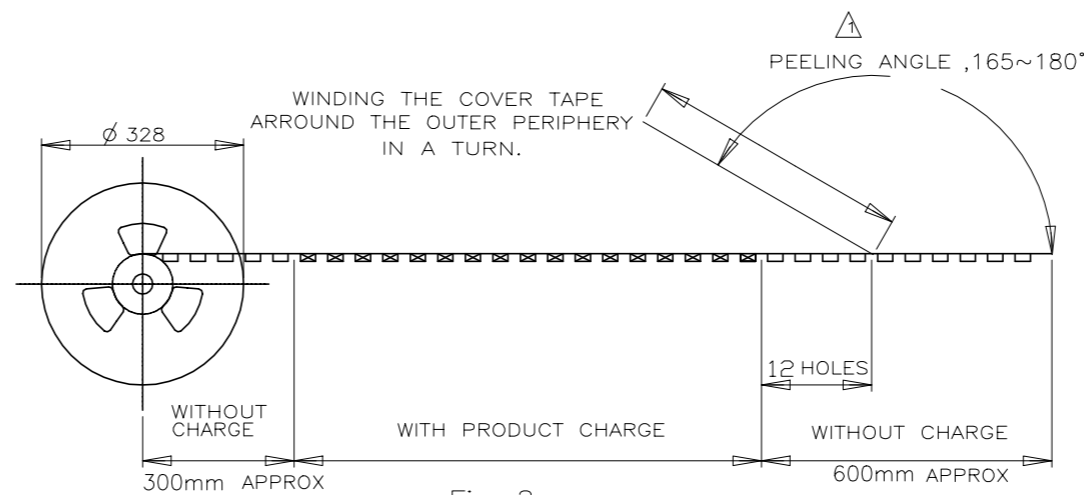


Fig-2

COLOR	PLATE	TAPE TYPE	TYPE OF BOSS	C		B		A		QTY/ REEL	Pos	TAPING P/N
				WITH	WITHOUT	WITH	WITHOUT	WITH	WITHOUT			
NATURAL	TYPE 2	A	20.2	44	24	500	9	3-	292173-9	8	3-	-8
	TYPE 3	A	14.2	32	20	7	3-	-7				
									TYPE 2	A	14.2	32
	TYPE 1	A	11.5	24	16	5	3-	-5				
									A	14	4	3-
A		12	3	3-	-3							
						A	11.5	24	10	2	3-	-2
BLACK	TYPE 2	A	20.2	44	24							
						A	20.2	44	22	8	2-	-8
	TYPE 3	A	14.2	32	20							
						TYPE 2	A	14.2	32	18	6	2-
	TYPE 1	A	11.5	24	16							
						A	14	4	2-	-4		
A		12	3	2-	-3							
						A	11.5	24	10	500	2	2-292173-2

TOLERANCE UNLESS OTHERWISE SPECIFIED:

10 > *	: ±0.2
30 > * > 10	: ±0.25
100 > * > 30	: ±0.3
ANGLE	: ±3'

NOTES:  
 ▲ PEELING RESISTANCE : 0.196N-0.686N (20gf-70gf)  
 SPEED : 300mm/min

THIS DRAWING IS A CONTROLLED DOCUMENT.		DWN
DIMENSIONS: MM		CHK
TOLERANCES UNLESS OTHERWISE SPECIFIED:		APVD
0 PLC ±		PRODUCT SPEC
1 PLC ±		APPLICATION SPEC
2 PLC ±		WEIGHT
3 PLC ±		CUSTOMER DRAWING
4 PLC ±		
ANGLES ±		
MATERIAL		
FINISH		

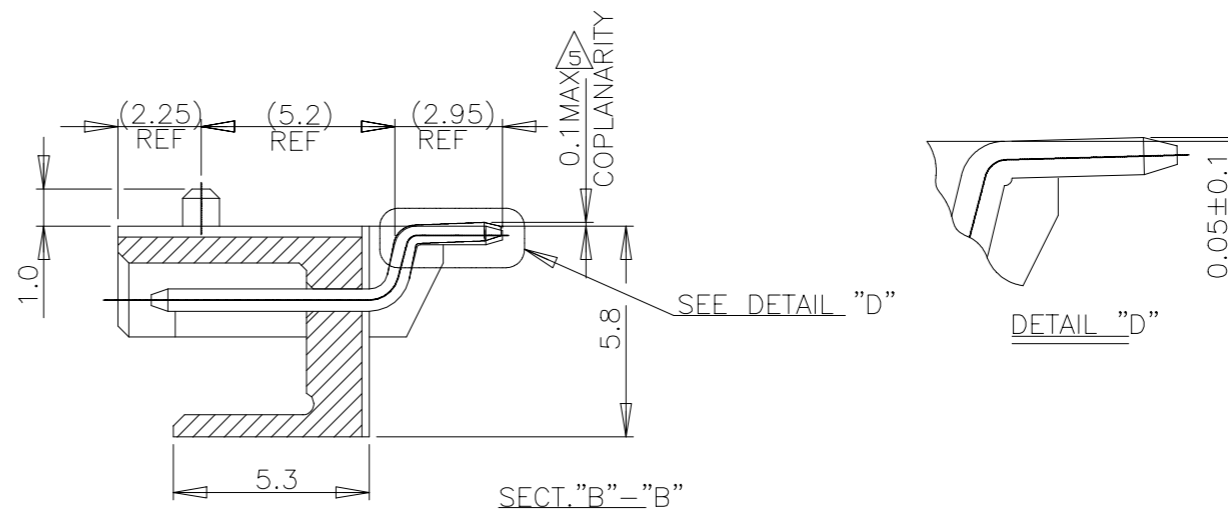
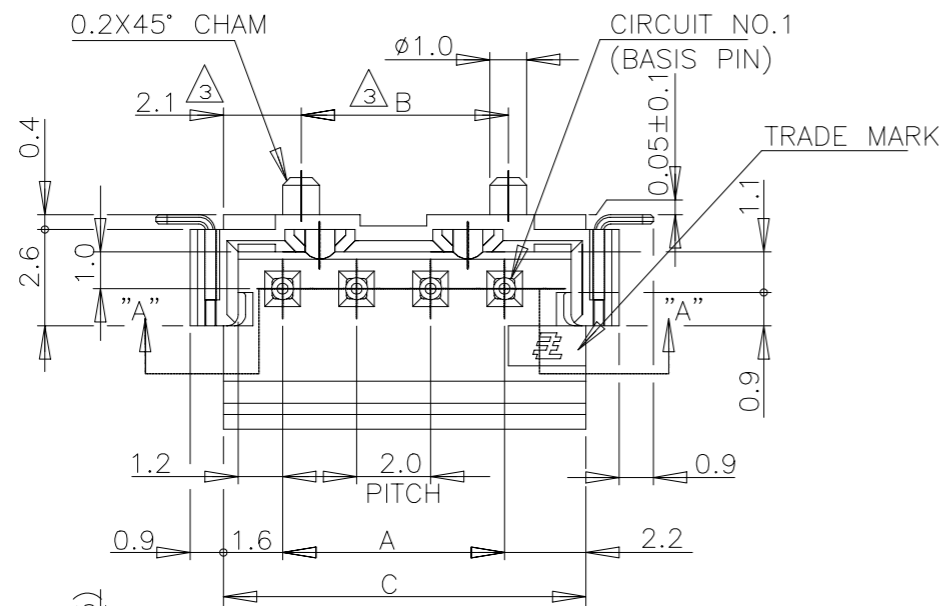


NAME			
ON TAPING (EMBOSS) TE CT CONNECTOR POST HEADER ASS'Y (BOX-H SMT TYPE W/O BOSS & W/ TAIL)			
SIZE	CAGE CODE	DRAWING NO	RESTRICTED TO
A3	00779	C=292173	-
SCALE		SHEET	REV
//		2 of 8	C5

P	LTR	DESCRIPTION	DATE	DWN	APVD
-	-	SEE SHEET 1	-	-	-

D

(AS SHOWN : -4)



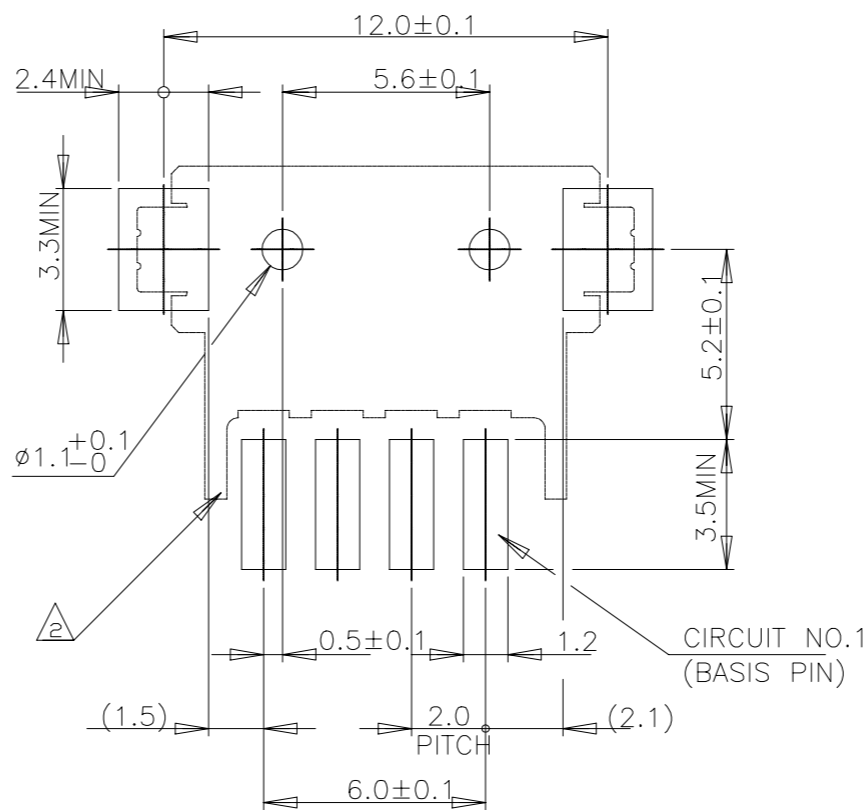
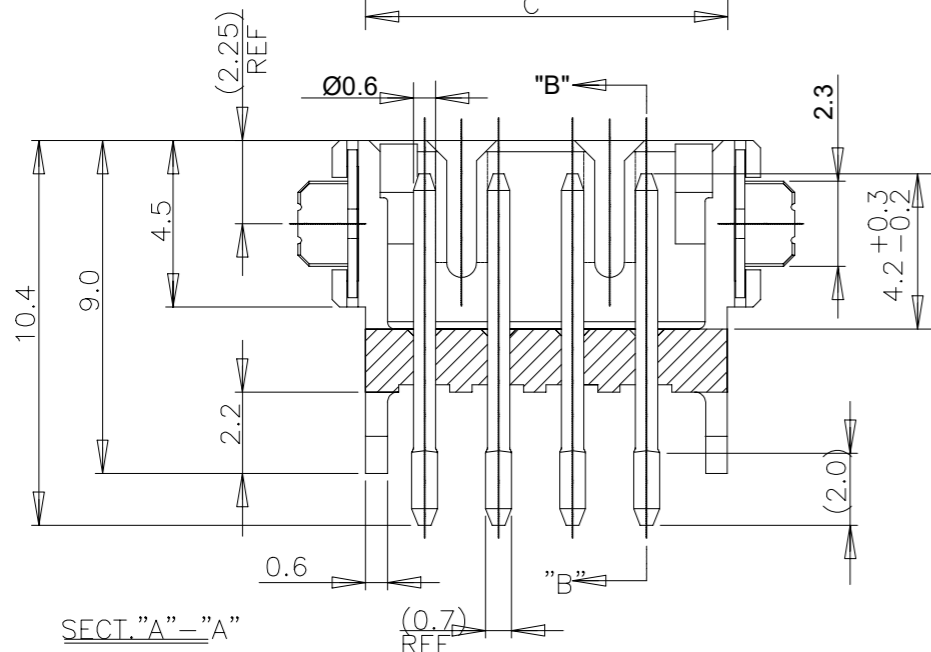
NOTES:

- MATERIAL: HSG-NYLON (UL94V-0)  
COLOR: BLACK, NATURAL  
POST: TIN BRASS  
TAIL: TIN BRASS



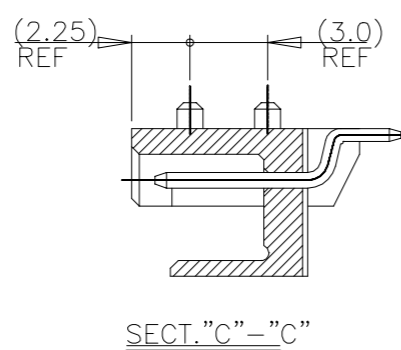
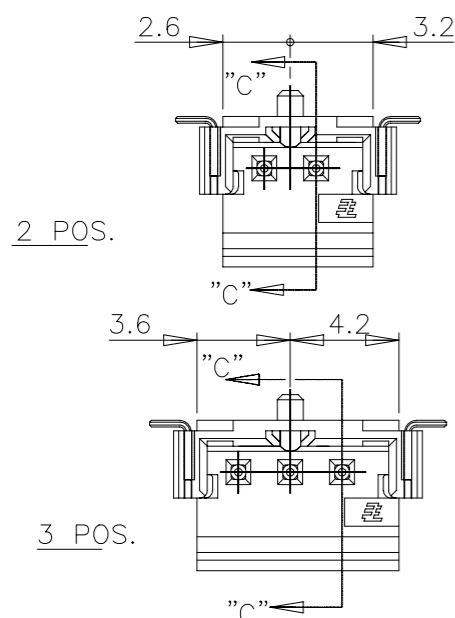
- OCCUPANT AREA ON PC BOARD  
4P&ABOVE POS.  
2P&3P  
TO BE MEASURED WITH CONNECTOR PLACED ON HORIZONTAL DATUM SURFACE, FLOAT OF SOLDER TINE AND TAIL FROM DATUM SURFACE IS 0.1mm MAX

C



NO ACCUMULATED TOLERANCE  
RECOMMENDED P.C.BOARD LAYOUT  
(P.C.B. THK:0.8mm MIN)

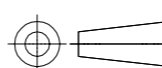
B



TOLERANCES UNLESS OTHERWISE SPECIFIED:  
10 > \* : ±0.2  
30 > \* > 10 : ±0.25  
100 > \* > 30 : ±0.3  
ANGEL : ±3°

THIS DRAWING IS A CONTROLLED DOCUMENT.

DIMENSIONS:  
MM



MATERIAL  
SEE NOTE

TOLERANCES UNLESS OTHERWISE SPECIFIED:

0 PLC ± -  
1 PLC ± -  
2 PLC ± -  
3 PLC ± -  
4 PLC ± -  
ANGLES ± -

FINISH  
SEE NOTE

DWN	-
CHK	-
APVD	-
PRODUCT SPEC	108-60016
APPLICATION SPEC	-
WEIGHT	-
CUSTOMER DRAWING	-

**STE** TE Connectivity Ltd.

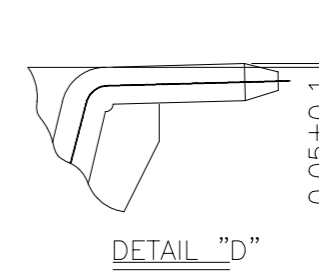
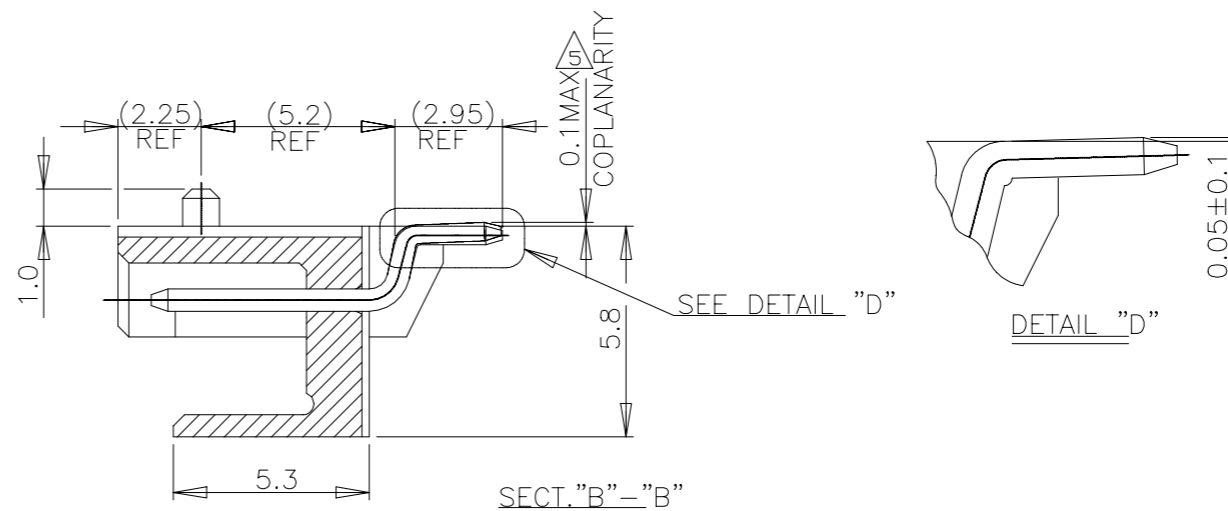
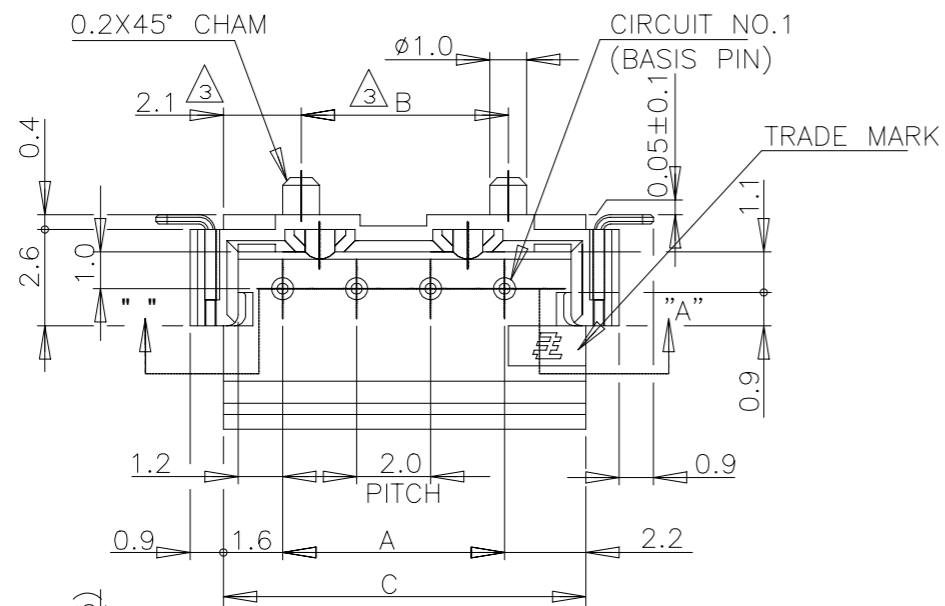
NAME			
SMT TYPE POST HDR ASS'Y (H) WITH BOSS & TAIL TYPE (TE CT CONN. 2mm PITCH)			
SIZE	CAGE CODE	DRAWING NO	RESTRICTED TO
A3	00779	C=292173	-
SCALE		SHEET	REV
+/+		3 of 8	C5

A

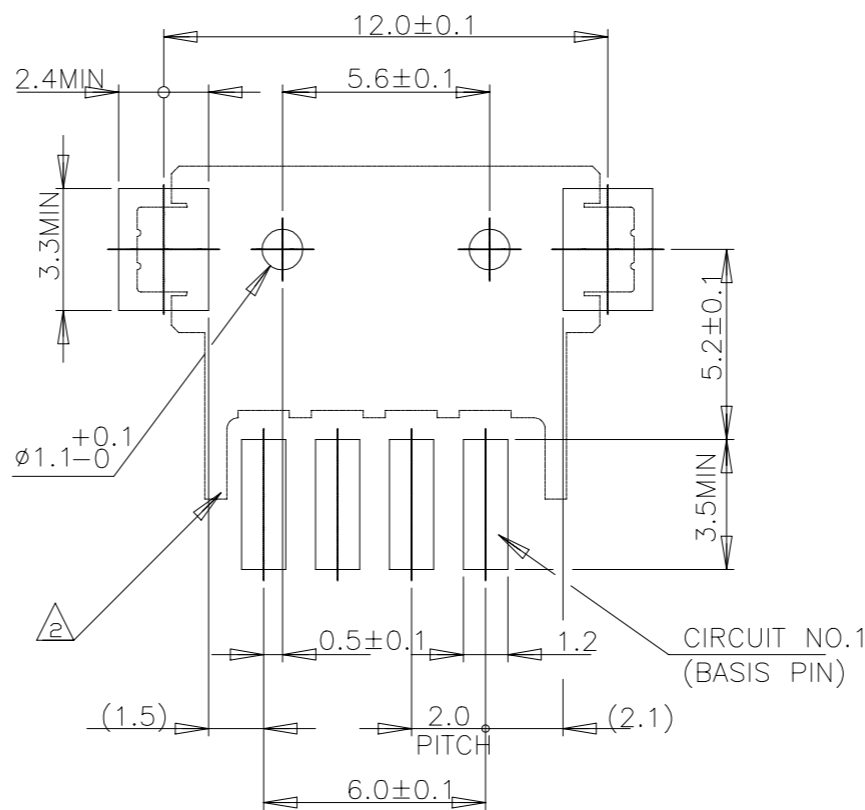
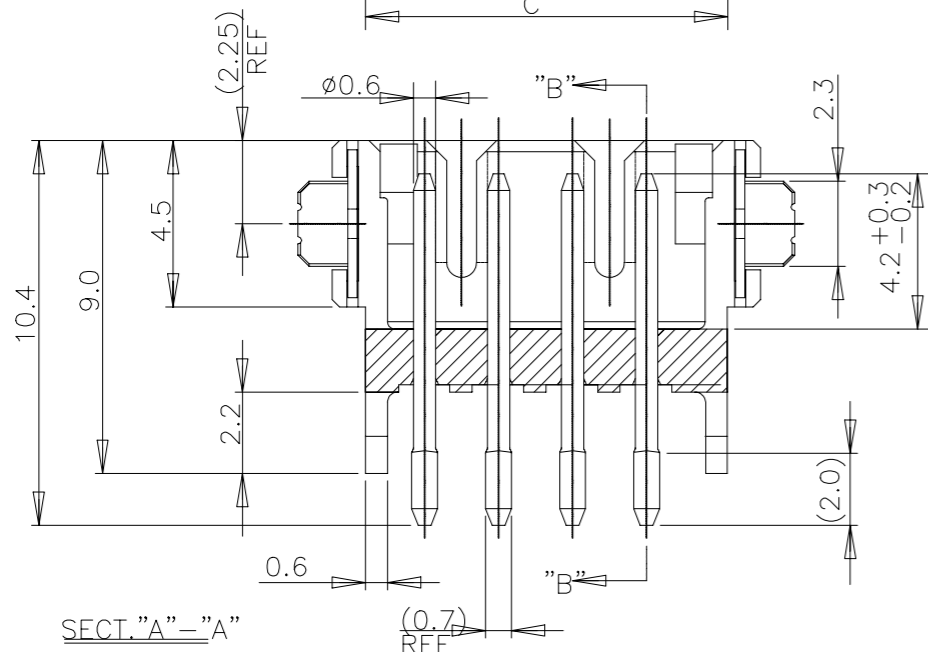
P	LTR	DESCRIPTION	DATE	DWN	APVD
-	-	SEE SHEET 1	-	-	-

D

(AS SHOWN : -4)



C

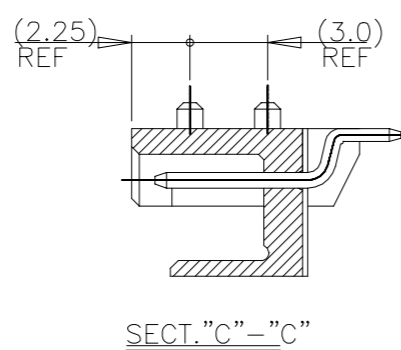
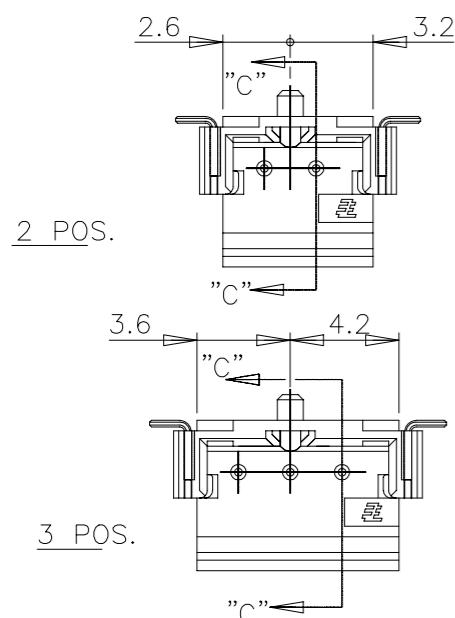


NOTES:

- MATERIAL: HSG-NYLON (UL94V-0)  
COLOR: BLACK, NATURAL  
POST: TIN BRASS  
TAIL: TIN BRASS

- OCCUPANT AREA ON PC BOARD
- 4P & ABOVE POS.
- 2P & 3P
- TO BE MEASURED WITH CONNECTOR PLACED ON HORIZONTAL DATUM SURFACE, FLOAT OF SOLDER TINE AND TAIL FROM DATUM SURFACE IS 0.1mm MAX

B



NO ACCUMULATED TOLERANCE  
RECOMMENDED P.C. BOARD LAYOUT  
(P.C.B. THK: 0.8mm MIN)

16.0	15.6	19.8	22.0	9	1-292173-9	292173-9
14.0	13.6	17.8	20.0	8	1-▲-8	▲-8
12.0	11.6	15.8	18.0	7	1-▲-7	▲-7
10.0	9.6	13.8	16.0	6	1-▲-6	▲-6
8.0	7.6	11.8	14.0	5	1-▲-5	▲-5
6.0	5.6	9.8	—	4	1-▲-4	▲-4
4.0	—	7.8	—	3	1-▲-3	▲-3
2.0	—	5.8	—	2	1-292173-2	292173-2
A	B	C	D	Pos.	NATURAL	BLACK
						P/N

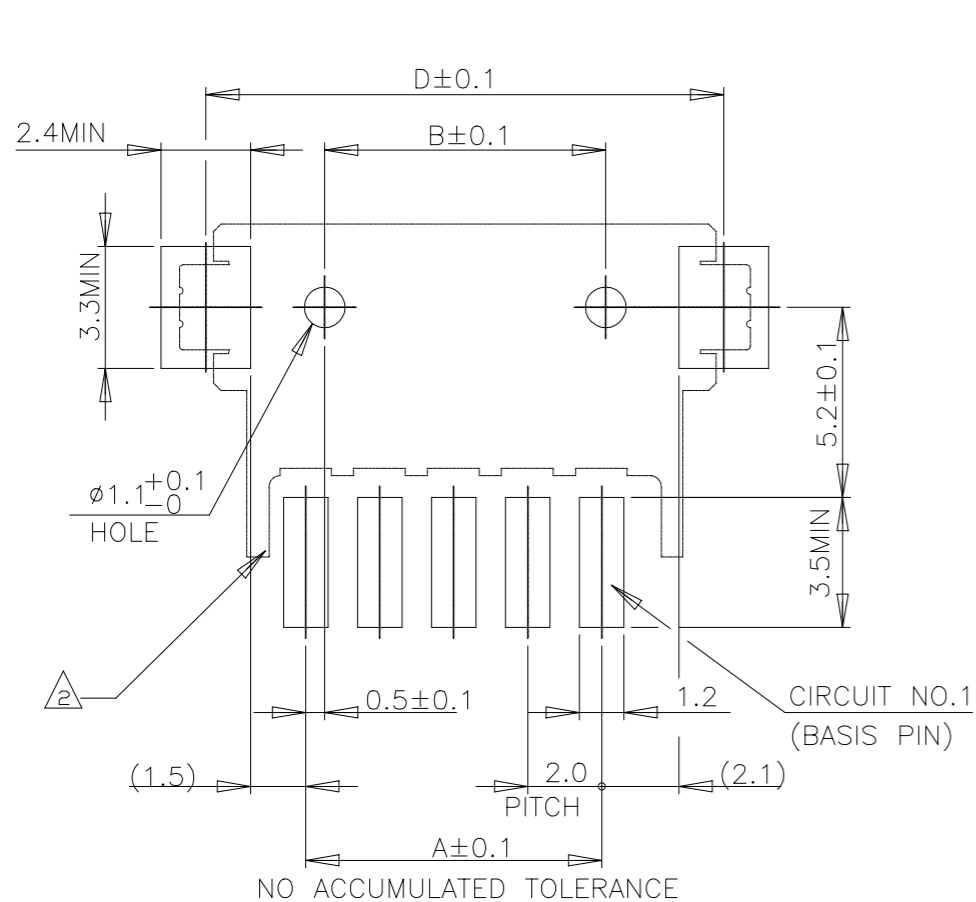
A

THIS DRAWING IS A CONTROLLED DOCUMENT.		DWN	TE Connectivity Ltd.	
DIMENSIONS: MM		CHK	NAME	
TOLERANCES UNLESS OTHERWISE SPECIFIED:		APVD	SMT TYPE POST HDR ASS'Y (H) WITH BOSS & TAIL TYPE (TE CT CONN. 2mm PITCH)	
0 PLC ±		PRODUCT SPEC	108-60016	
1 PLC ±		APPLICATION SPEC	-	
2 PLC ±		WEIGHT	-	
3 PLC ±		SIZE	A3	00779
4 PLC ±		CAGE CODE	C=	292173
ANGLES ±		DRAWING NO	C=292173	
FINISH		RESTRICTED TO	-	
SEE NOTE		SCALE	4 of 8	
SEE NOTE		SHEET	REV C4	
TOLERANCES UNLESS OTHERWISE SPECIFIED:		CUSTOMER DRAWING		
10 ≥ * : ±0.2				
30 ≥ * > 10 : ±0.25				
100 ≥ * > 30 : ±0.3				
ANGEL : ±3°				

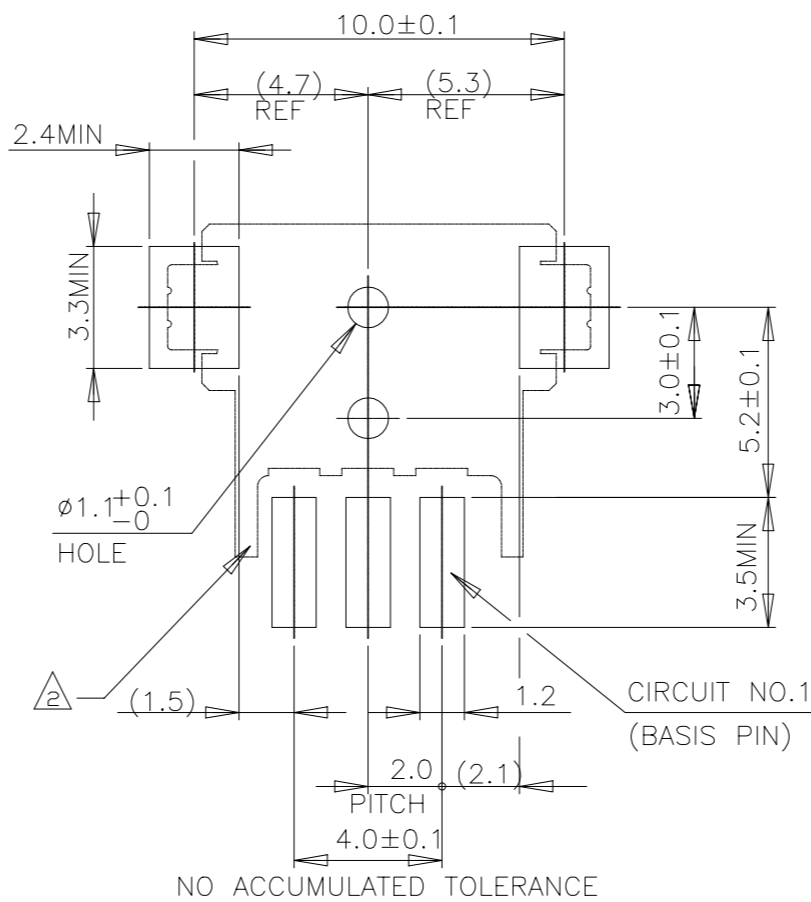
REVISIONS

P	LTR	DESCRIPTION	DATE	DWN	APVD
-	-	SEE SHEET 1	-	-	-

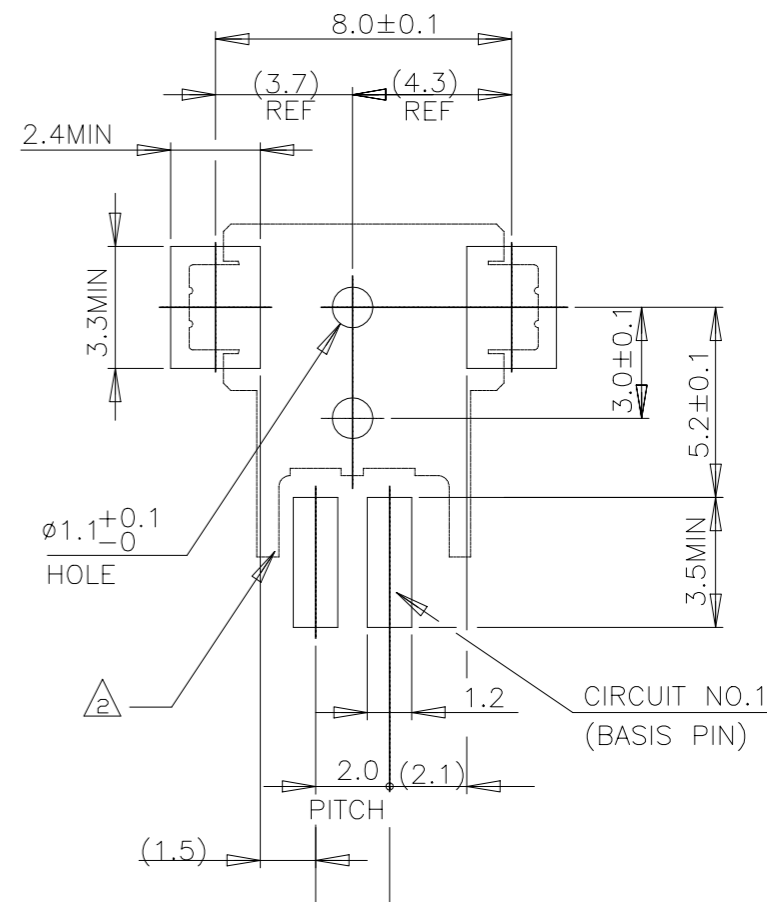
LAYOUT FOR 292173-X,1-292173-X



5 POS. & ABOVE POS.



3 POS.



2 POS.

RECOMMENDED P.C. BOARD LAYOUT  
(P.C.B THK:0.8mm MIN)

THIS DRAWING IS A CONTROLLED DOCUMENT.		DWN	-		
		CHK	-		
		APVD	-		
		PRODUCT SPEC	-		
		APPLICATION SPEC	-		
		WEIGHT	0		
		CUSTOMER DRAWING	SCALE $\neq$		
		SHEET 5 OF 8		REV C4	

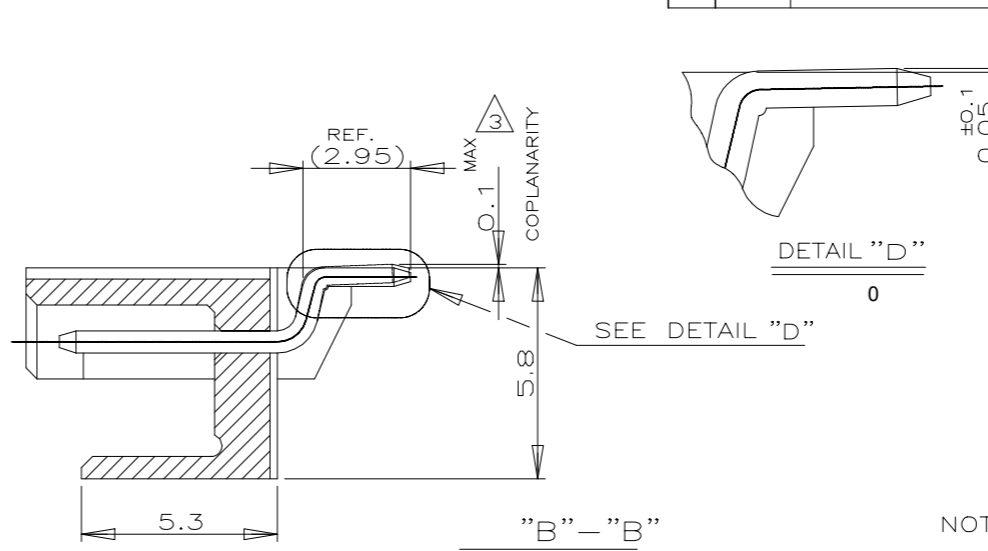
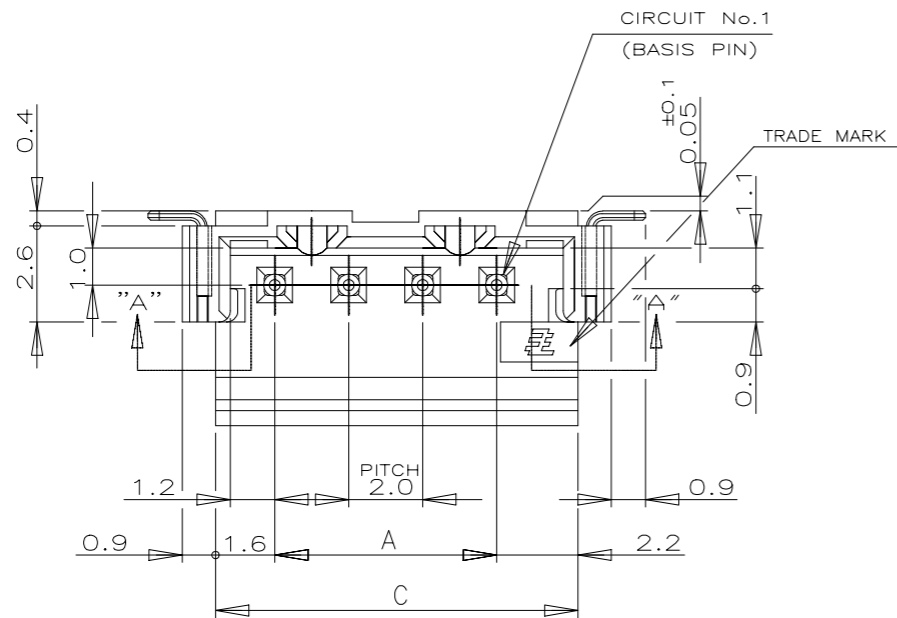
  

DIMENSIONS: MM		TOLERANCES UNLESS OTHERWISE SPECIFIED:	
		0 PLC	± -
		1 PLC	± -
		2 PLC	± -
		3 PLC	± -
		4 PLC	± -
MATERIAL		FINISH	

TE Connectivity Ltd.	
NAME	
SMT TYPE POST HDR ASSY H WITH BOSS TYPE CT CONN. 2mm PITCH	
SIZE	A3
CAGE CODE	00779
DRAWING NO	C=292173
RESTRICTED TO	

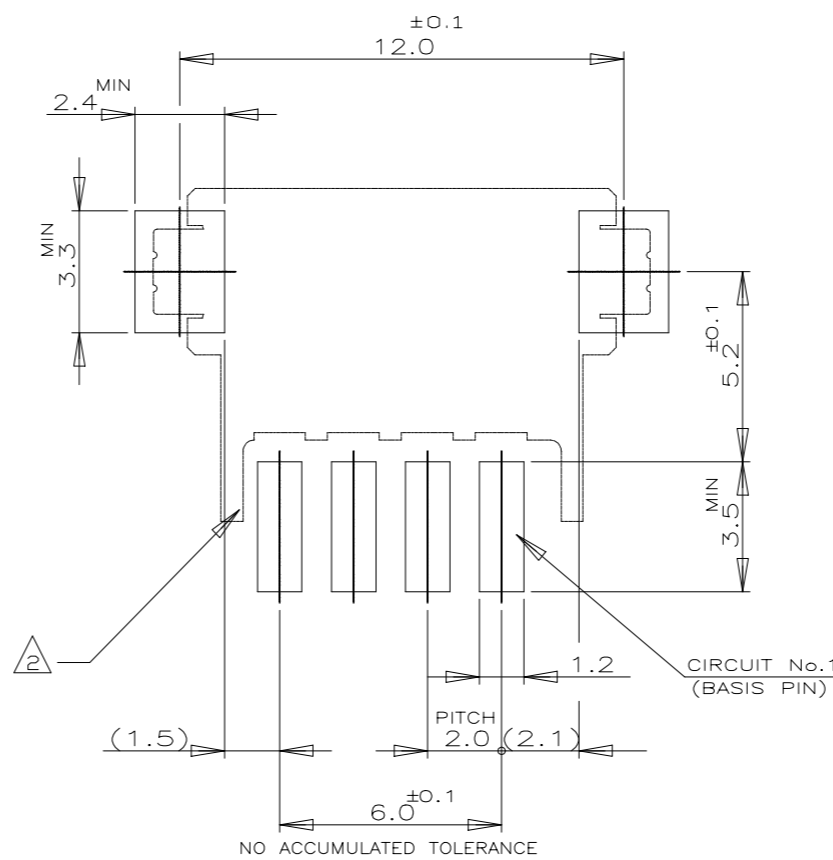
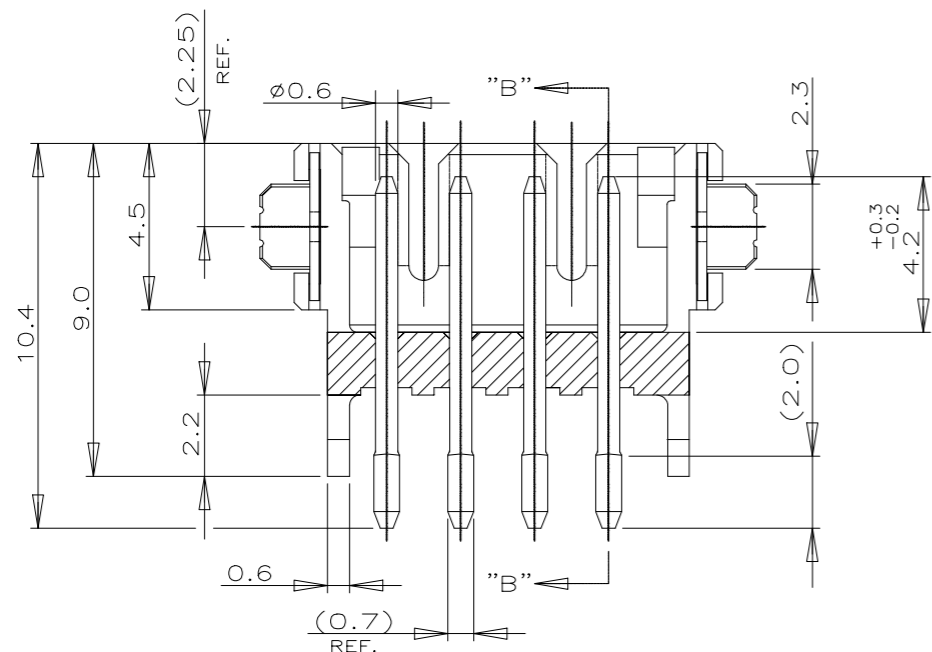
P	LTR	DESCRIPTION	DATE	DWN	APVD
-	-	SEE SHEET 1	-	-	-



(AS SHOWN :4P)

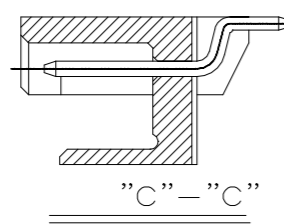
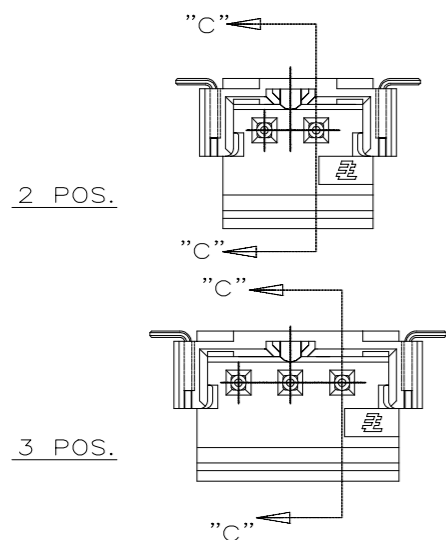
NOTES:

- MATERIAL : HSG-NYLON UL94V-0  
COLOR:BLACK,NATURAL  
POST:TIN BRASS  
TAIL: TIN BRASS
- OCCUPANT AREA ON PC BOARD
- TO BE MEASURED WITH CONNECTOR PLACED ON HORIZONTAL DATUM SURFACE,FLOAT OF SOLDER TINE AND TAIL FROM DATUM SURFACE IS 0.1mm MAX



RECOMENOED P.C.BOARD LAYOUT  
(P.C.B THK:0.8mm MIN)

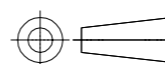
16.0	19.8	22.0	9	3-292173-9	2-292173-9
14.0	17.8	20.0	8	3- -8	2- -8
12.0	15.8	18.0	7	3- -7	2- -7
10.0	13.8	16.0	6	3- -6	2- -6
8.0	11.8	14.0	5	3- -5	2- -5
6.0	9.8	--	4	3- -4	2- -4
4.0	7.8	--	3	3- -3	2- -3
2.0	5.8	--	2	3-292173-2	2-292173-2
A	C	D	Pos.	NATURAL	BLACK
P/N					



R	D
0	0.2
30	0.2
00	0.3
30	3

THIS DRAWING IS A CONTROLLED DOCUMENT.

DIMENSIONS:  
MM



MATERIAL  
SEE NOTE

TOLERANCES UNLESS OTHERWISE SPECIFIED:

0 PLC	± -
1 PLC	± -
2 PLC	± -
3 PLC	± -
4 PLC	± -
ANGLES	± -

FINISH  
SEE NOTE

DWN	-
CHK	-
APVD	-
PRODUCT SPEC	108-60016
APPLICATION SPEC	-
WEIGHT	-
CUSTOMER DRAWING	-

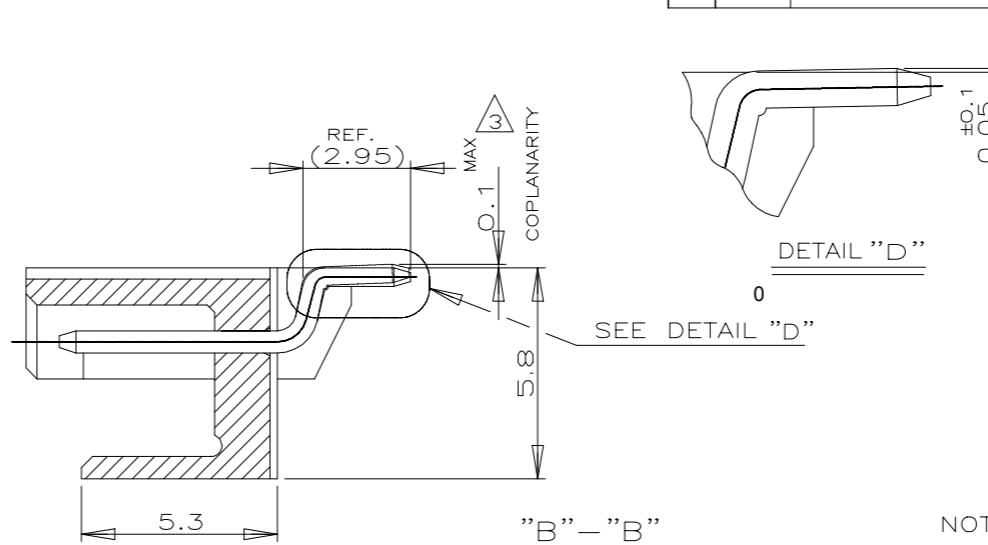
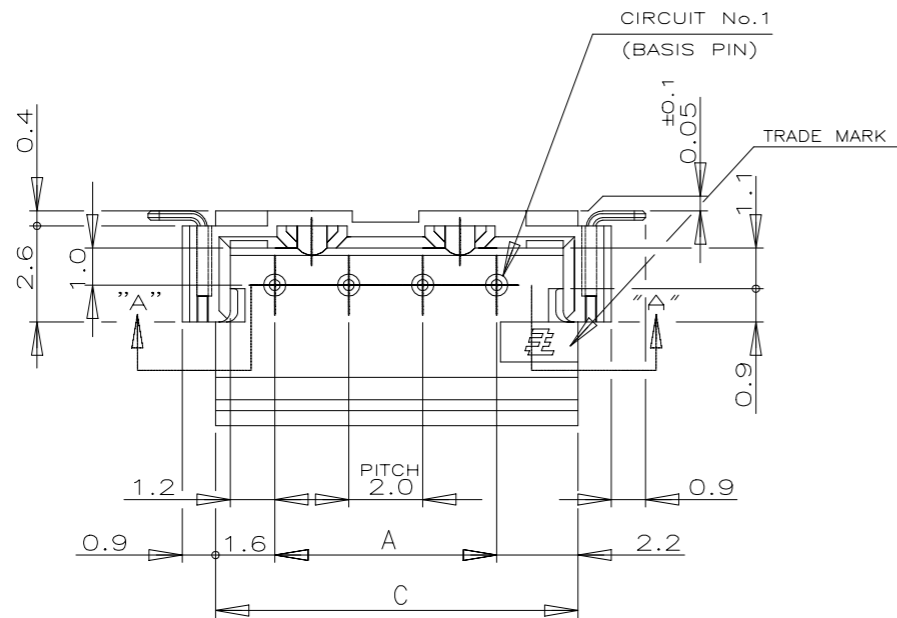
**STE** TE Connectivity Ltd.

SMT TYPE POST HDR ASS'Y (BOX-H)  
W/O BOSS,WITH TAIL TYPE  
(TE CT CONN. 2mm PITCH)

SIZE	CAGE CODE	DRAWING NO	RESTRICTED TO
A3	00779	C=292173	-

SCALE  $\neq$  SHEET 6 OF 8 REV C4

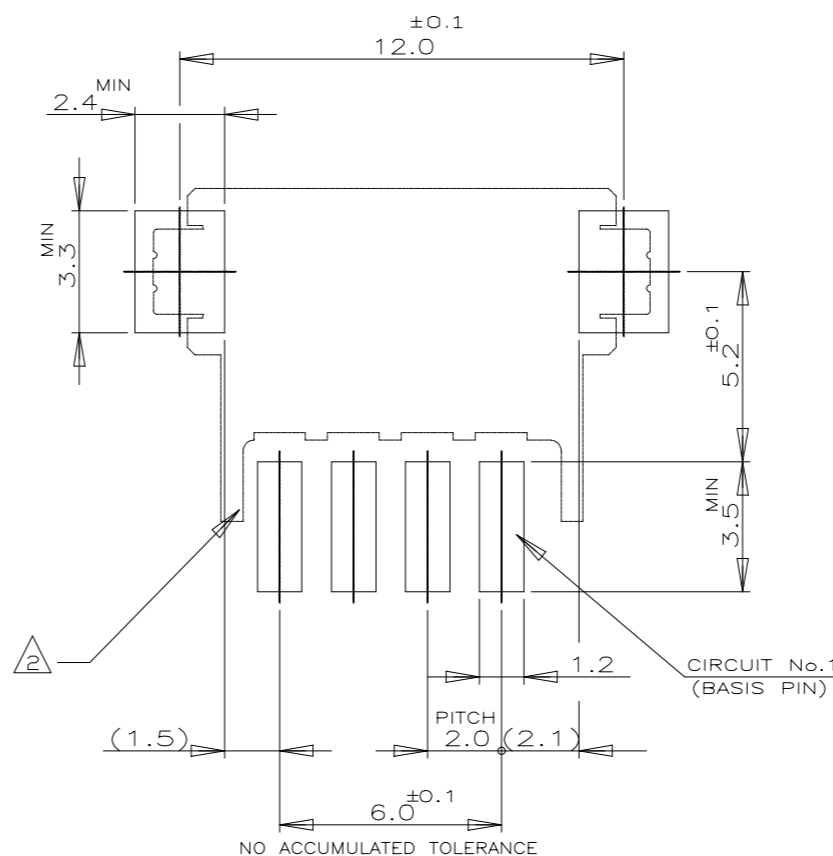
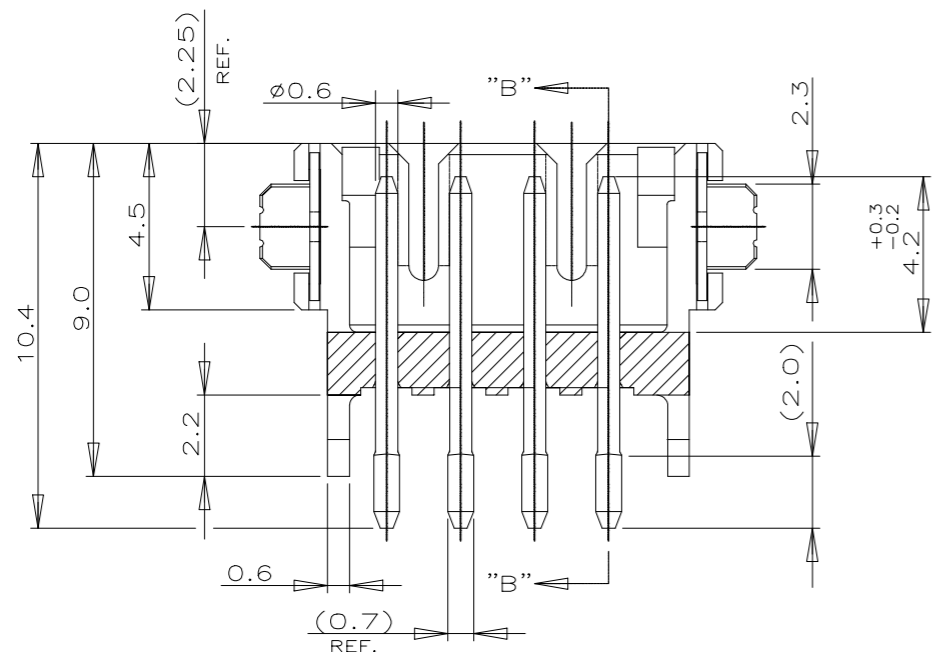
P	LTR	DESCRIPTION	DATE	DWN	APVD
-	-	SEE SHEET 1	-	-	-



(AS SHOWN :4P)

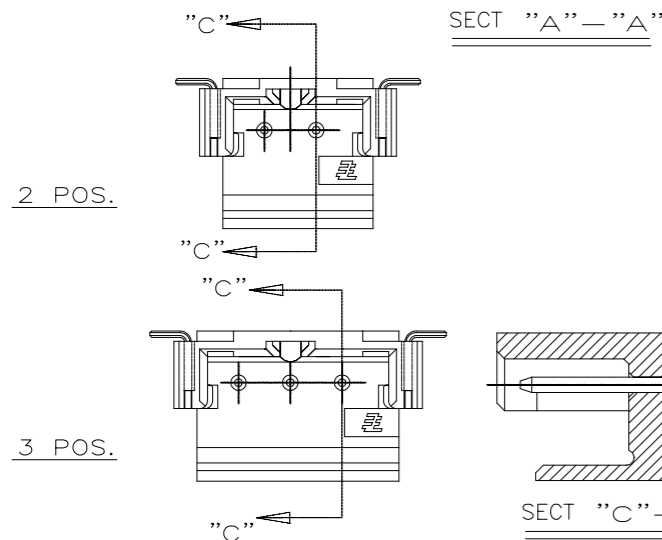
NOTES:

- MATERIAL : HSG-NYLON UL94V-0  
COLOR:BLACK,NATURAL  
POST:TIN BRASS  
TAIL: TIN BRASS
- OCCUPANT AREA ON PC BOARD
- TO BE MEASURED WITH CONNECTOR PLACED ON HORIZONTAL DATUM SURFACE,FLOAT OF SOLDER TINE AND TAIL FROM DATUM SURFACE IS 0.1mm MAX



RECOMENOED P.C.BOARD LAYOUT  
(P.C.B THK:0.8mm MIN)

16.0	19.8	22.0	9	3-292173-9	2-292173-9
14.0	17.8	20.0	8	3-▲-8	2-▲-8
12.0	15.8	18.0	7	3-▲-7	2-▲-7
10.0	13.8	16.0	6	3-▲-6	2-▲-6
8.0	11.8	14.0	5	3-▲-5	2-▲-5
6.0	9.8	—	4	3-▲-4	2-▲-4
4.0	7.8	—	3	3-▲-3	2-▲-3
2.0	5.8	—	2	3-292173-2	2-292173-2
A	C	D	Pos.	NATURAL	BLACK
P/N					



TOLERANCES UNLESS OTHERWISE SPECIFIED:  
 10 > \* : ±0.2  
 30 > \* > 10 : ±0.25  
 100 > \* > 30 : ±0.3  
 ANGEL : ±3°

THIS DRAWING IS A CONTROLLED DOCUMENT.		DWN	TE Connectivity Ltd.		
DIMENSIONS: MM		CHK	NAME		
TOLERANCES UNLESS OTHERWISE SPECIFIED:		APVD	SMT TYPE POST HDR ASS'Y (BOX-H) W/O BOSS,WITH TAIL TYPE (TE CT CONN. 2mm PITCH)		
0 PLC ±		PRODUCT SPEC	108-60016		
1 PLC ±		APPLICATION SPEC	-		
2 PLC ±		WEIGHT	-		
3 PLC ±		CUSTOMER DRAWING	SIZE	CAGE CODE	DRAWING NO
4 PLC ±		SCALE	A3	00779	C=292173
ANGLES ±		SHEET	7 of 8		REV C4
MATERIAL SEE NOTE		FINISH SEE NOTE	RESTRICTED TO		

4

3

2

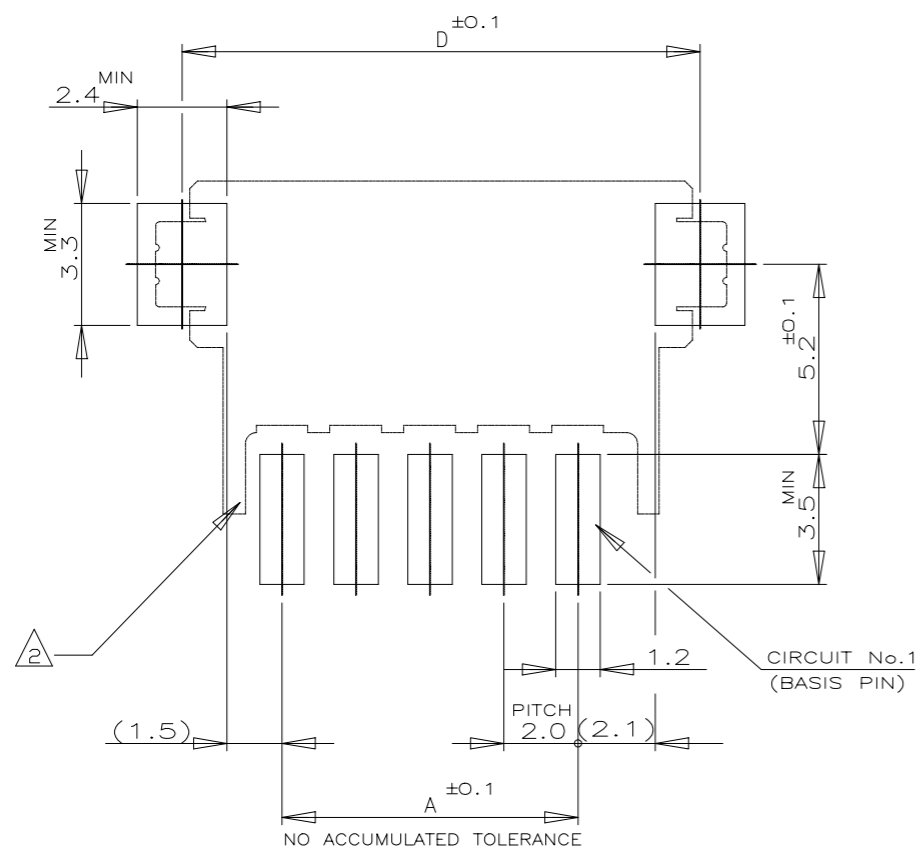
1

© - TE Connectivity. All Rights Reserved.

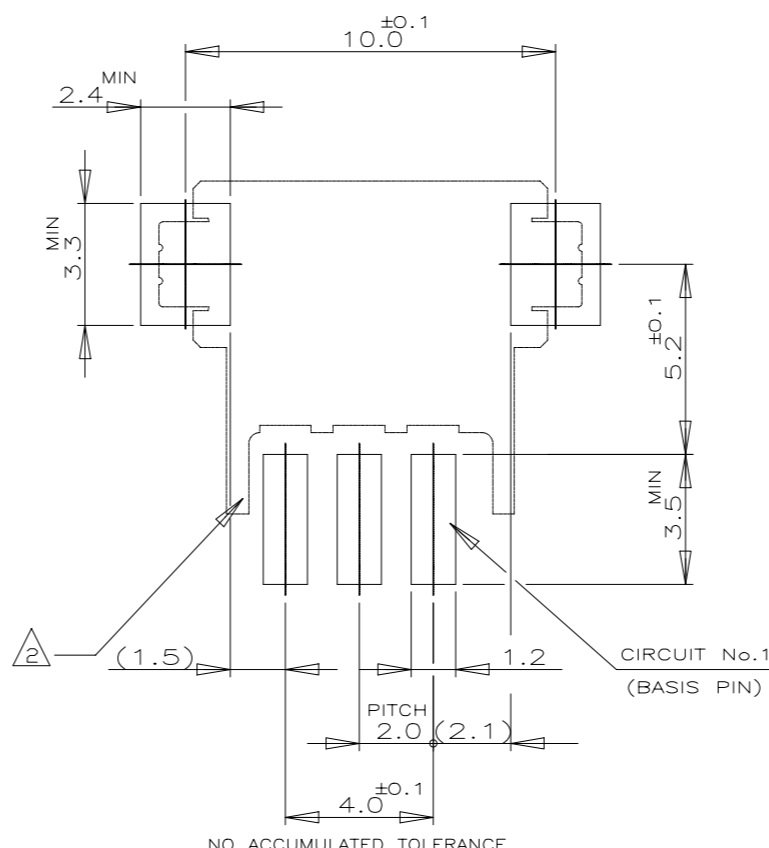
REVISIONS

P	LTR	DESCRIPTION	DATE	DWN	APVD
-	-	SEE SHEET 1	-	-	-

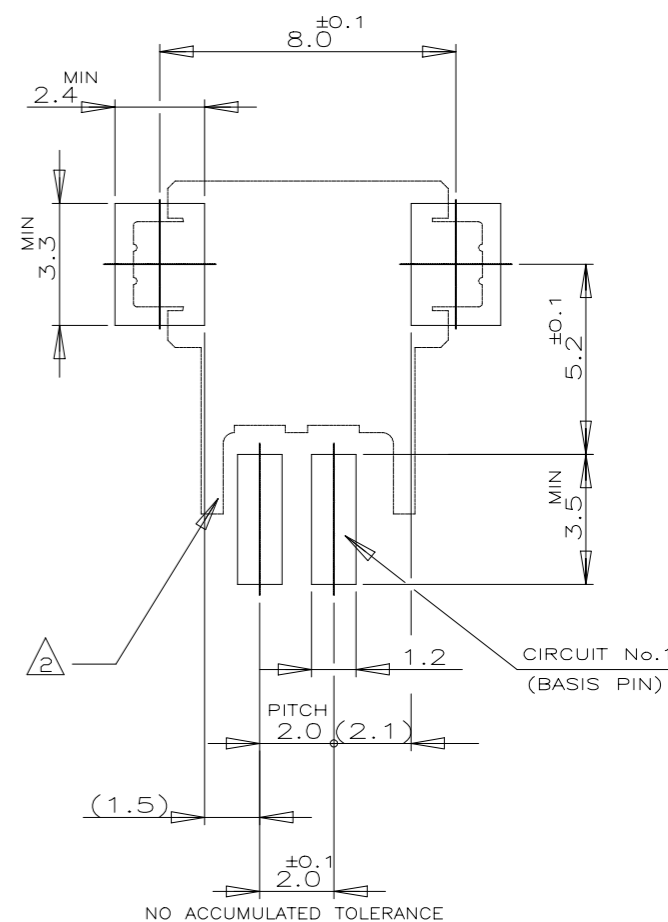
LAYOUT FOR 2-292173-X,3-2-292173-X



5 POS & ABOVE POS



3 POS



2POS

RECOMENOD P.C.BOARD LAYOUT  
(P.C.B THK:0.8mm MIN)

THIS DRAWING IS A CONTROLLED DOCUMENT.		DWN	-	<b>STE</b> TE Connectivity Ltd.	
		CHK	-		
DIMENSIONS: MM		APVD	-	NAME	
		TOLERANCES UNLESS OTHERWISE SPECIFIED:		SMT TYPE POST HDR ASS'Y (H) W/O, WITH TAIL TYPE (TE CT CONN. 2mm PITCH)	
		0 PLC	± -	PRODUCT SPEC	-
MATERIAL		FINISH	-	APPLICATION SPEC	-
		WEIGHT	-	SIZE	A3
		CUSTOMER DRAWING		CAGE CODE	00779
				DRAWING NO	C=292173
				RESTRICTED TO	-
				SCALE	1/1
				SHEET	8 OF 8
				REV	C4



# Mouser Electronics

Authorized Distributor

Click to View Pricing, Inventory, Delivery & Lifecycle Information:

[TE Connectivity:](#)

[2-292173-6](#)