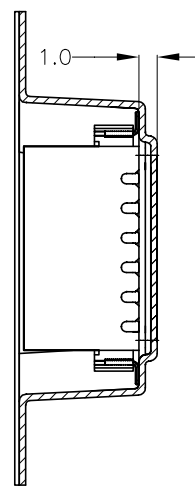
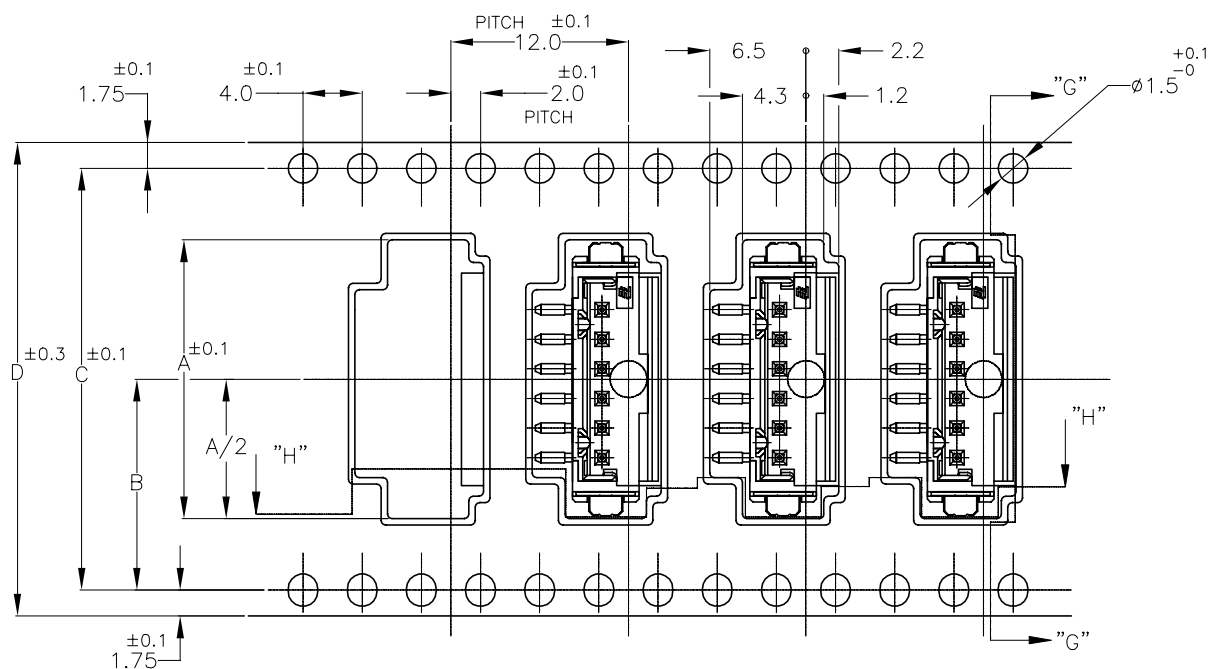
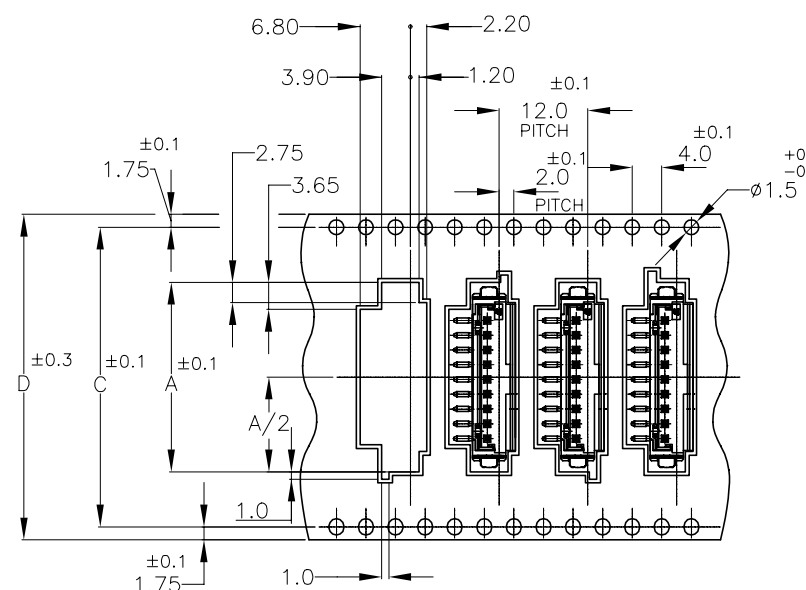


P	LTR	DESCRIPTION	DATE	DWN	APVD
B4	ECR-22-127164		25JAN2022	T.Q	N.S

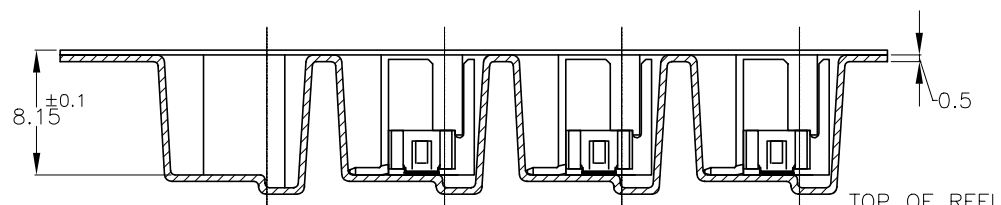
(AS SHOWN : -6)



SECT "G"-G"



9P ONLY



SECT "H"-H"

TOP OF REEL

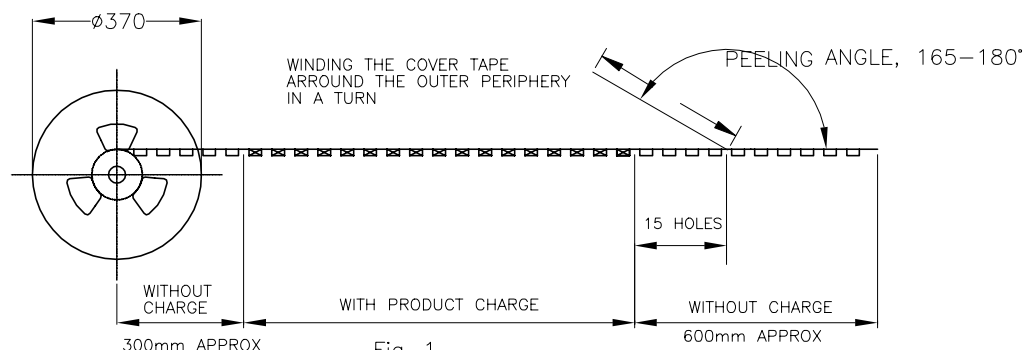


Fig-1

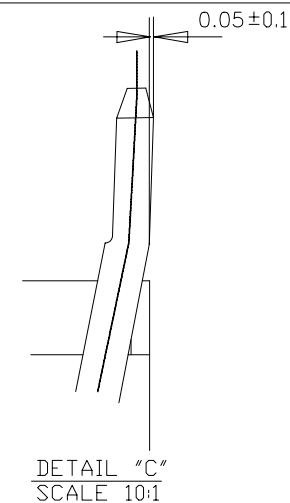
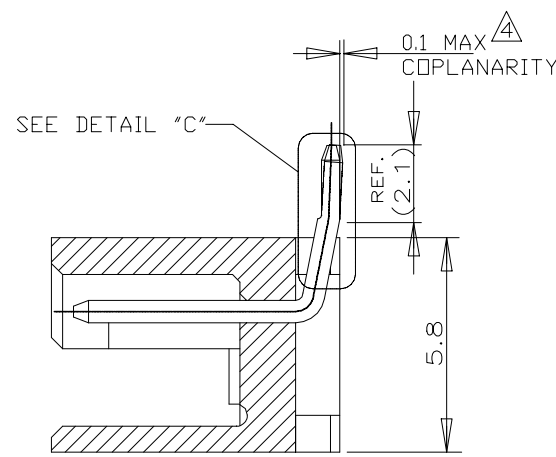
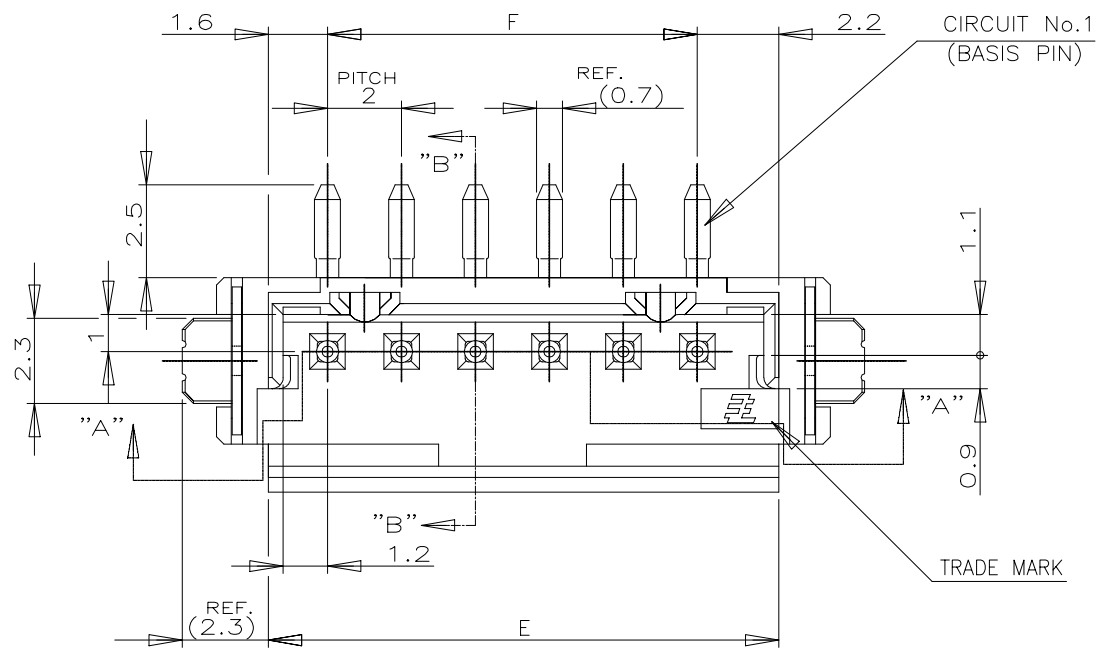
NOTES:  
1. PEELING RESISTANCE: 0.196N(20gf)-0.686N(70gf)  
SPEED: 300mm/min

TOLERANCE UNLESS OTHERWISE SPECIFIED	
10 > *	±0.2
30 > * > 10	±0.25
100 > * > 30	±0.3
ANGLE	±3°

THIS DRAWING IS A CONTROLLED DOCUMENT.		DWN	JACH HOU	19SEP10	TE Connectivity Ltd.	
DIMENSIONS: mm		CHK	MARTIN LI	19SEP10		
TOLERANCES UNLESS OTHERWISE SPECIFIED:		APVD	STEVEN YAO	19SEP10		
0 PLC ± 1 PLC ± 2 PLC ± 3 PLC ± 4 PLC ± ANGLES ±		NAME	EMBOSS CT HEADER ASSY BOX V SMT			
MATERIAL		PRODUCT SPEC	108-60016		SIZE	A3
FINISH		APPLICATION SPEC	108-60016		CAGE CODE	00779
		WEIGHT	CUSTOMER DRAWING		DRAWING NO	C=292175
					RESTRICTED TO	
					SCALE	N/A
					SHEET	1 OF 3
					REV	B4

COLOR	PLATE	D	C	B	A	QTY/ REEL	POS	TAPING P/N
BLACK		44.0	40.50	20.25	25.60	9	2-292175-9	
		44.0	40.4	20.2	22.9	8	2-	-8
		32.0	28.4	14.2	20.9	7	2-	-7
		32.0	28.4	14.2	18.9	6	2-	-6
		32.0	28.4	14.2	16.9	5	2-	-5
		32.0	28.4	14.2	14.9	4	2-	-4
		32.0	28.4	14.2	12.9	3	2-	-3
NATURAL	WITH	32.0	28.4	14.2	10.9	700	2-292175-2	
		44.0	40.50	20.25	25.60	9	292175-9	
		44.0	40.4	20.2	22.9	8		-8
		32.0	28.4	14.2	20.9	7		-7
		32.0	28.4	14.2	18.9	6		-6
		32.0	28.4	14.2	16.9	5		-5
		32.0	28.4	14.2	14.9	4		-4
	32.0	28.4	14.2	12.9	3		-3	
WITH		32.0	28.4	14.2	10.9	700	2	292175-2

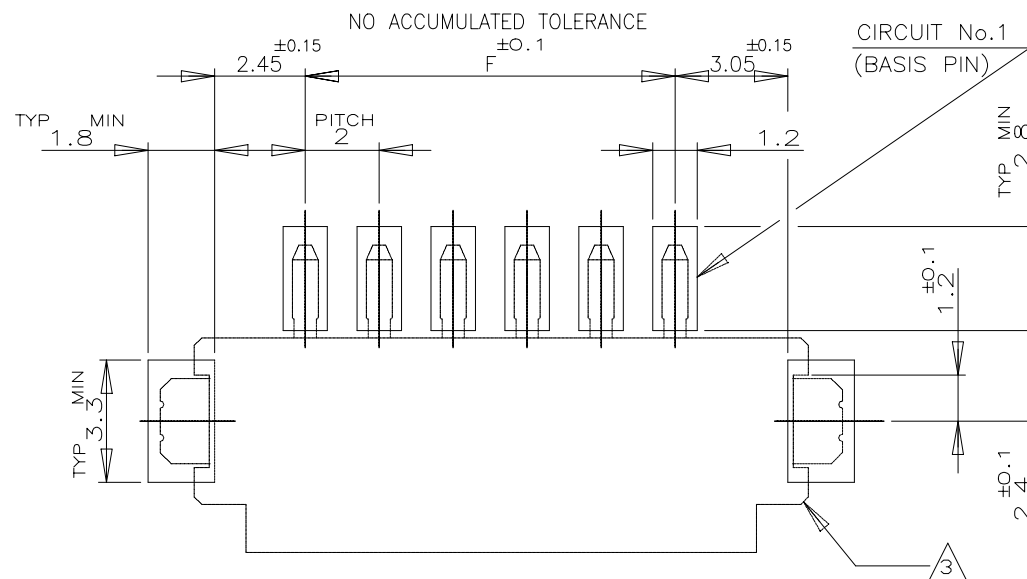
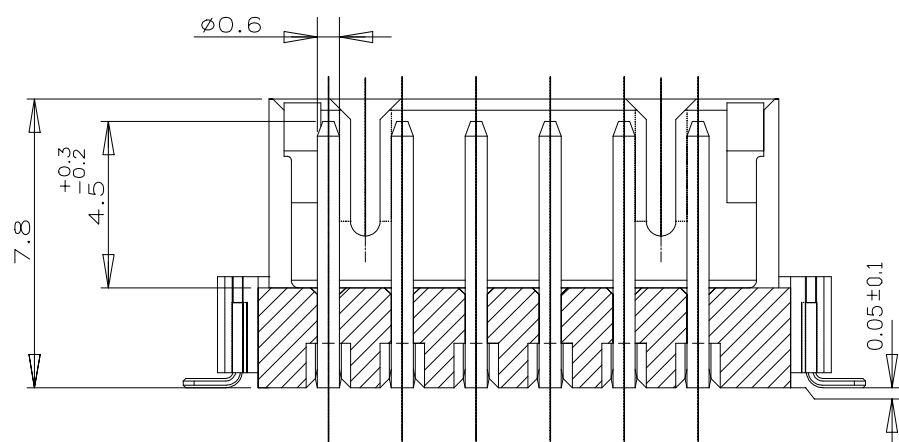
P	LTR	DESCRIPTION	DATE	DWN	APVD
-	-	SEE SHEET 1	-	-	-



NOTES;

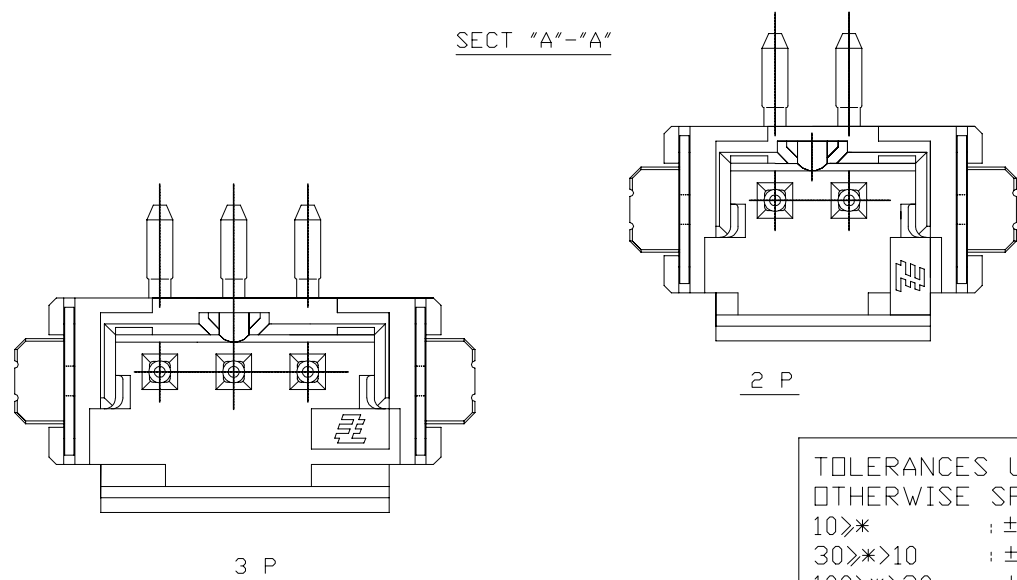
- 2. MATERIAL:HSG-NYLON (UL94V-0)  
COLOR:NATURAL,BLACK  
POST:TIN BRASS  
TAIL: TIN BRASS

- ⊲ OCCUPANT AREA ON PC BOARD
- ⊳ TO BE MEASURED WITH CONNECTOR PLACED ON HORIZONTAL DATUM SURFACE,FLOAT OF SOLDER TINE AND TAIL FROM DATUM SURFACE IS 0.1mm MAX



RECOMENOED P.C.BOARD LAYOUT  
(P.C.B THK:0.8mm MIN)

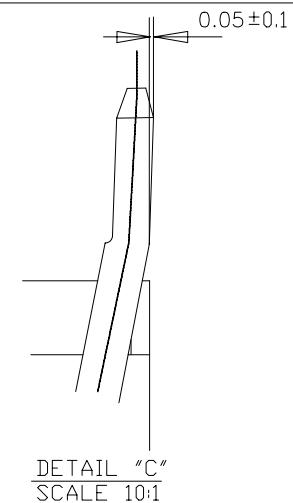
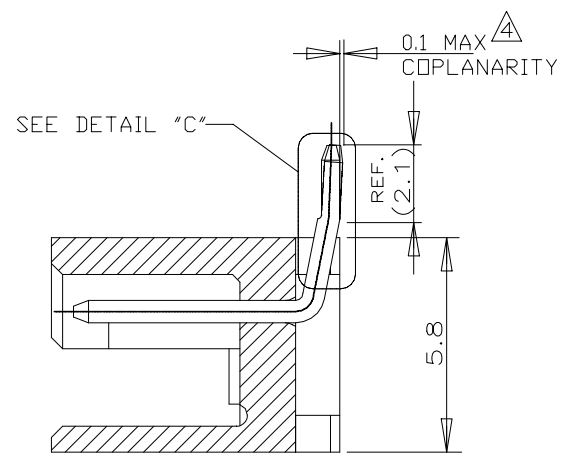
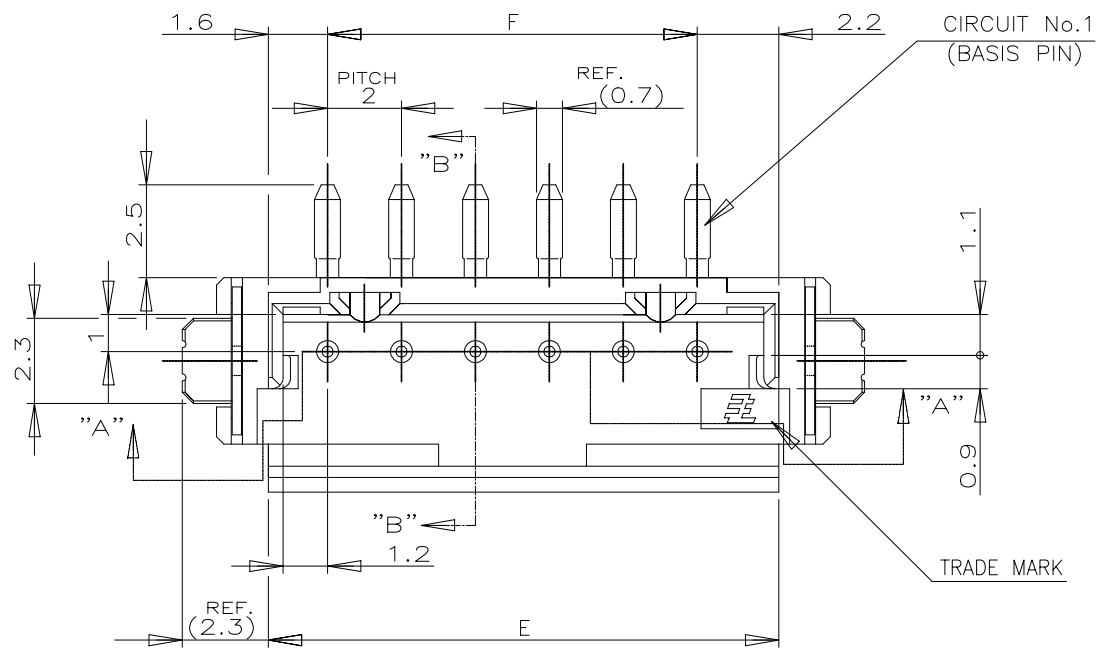
16.0	19.8	9	2-292175-9	292175-9
14.0	17.8	8	2-▲-8	▲-8
12.0	15.8	7	2-▲-7	▲-7
10.0	13.8	6	2-▲-6	▲-6
8.0	11.8	5	2-▲-5	▲-5
6.0	9.8	4	2-▲-4	▲-4
4.0	7.8	3	2-▲-3	▲-3
2.0	5.8	2	2-292175-2	292175-2
F	E	POS.	BLACK	NATURAL
P/N				



TOLERANCES UNLESS OTHERWISE SPECIFIED:  
10>\* : ±0.2  
30>\* >10 : ±0.25  
100>\* >30 : ±0.3  
ANGEL : ±3°

THIS DRAWING IS A CONTROLLED DOCUMENT.		DWN	-	<b>STE</b> TE Connectivity Ltd.			
DIMENSIONS: mm		CHK	-				
TOLERANCES UNLESS OTHERWISE SPECIFIED:		APVD	-				
<ul style="list-style-type: none"> <li>0 PLC ± -</li> <li>1 PLC ± -</li> <li>2 PLC ± -</li> <li>3 PLC ± -</li> <li>4 PLC ± -</li> <li>ANGLES ± -</li> </ul>		NAME		ON TAPING (EMBOSS) SMT TYPE POST HDR ASS'Y(V) W/O BOSS & WITH TAIL TYPE			
MATERIAL SEE NOTE		PRODUCT SPEC 108-60016					
FINISH SEE NOTE		APPLICATION SPEC		SIZE	CAGE CODE	DRAWING NO	RESTRICTED TO
SEE NOTE		WEIGHT		A3	00779	C=292175	-
CUSTOMER DRAWING				SCALE	N/A	SHEET	2 of 3
				REV	B4		

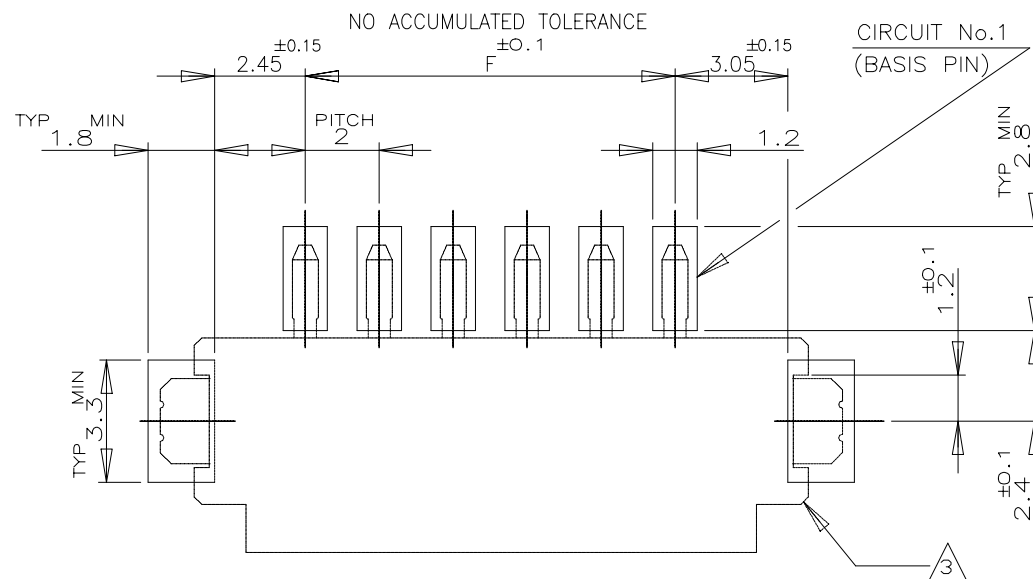
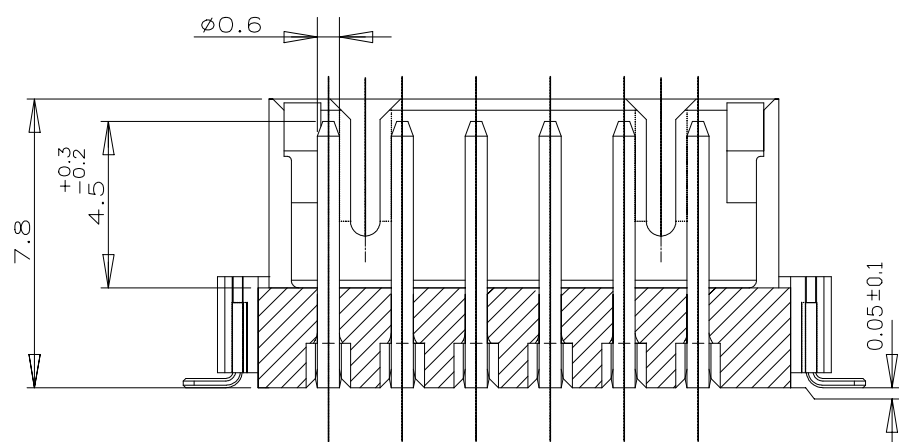
P	LTR	DESCRIPTION	DATE	DWN	APVD
-	-	SEE SHEET 1	-	-	-



NOTES;

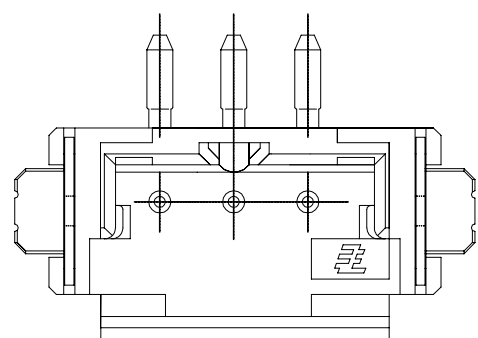
- 2. MATERIAL:HSG-NYLON (UL94V-0)  
COLOR:NATURAL,BLACK  
POST:TIN BRASS  
TAIL: TIN BRASS

- ⊲ OCCUPANT AREA ON PC BOARD
- ⊳ TO BE MEASURED WITH CONNECTOR PLACED ON HORIZONTAL DATUM SURFACE,FLOAT OF SOLDER TINE AND TAIL FROM DATUM SURFACE IS 0.1mm MAX

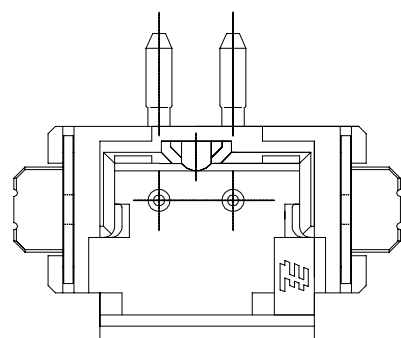


SECT "A"-A"

RECOMMENDED P.C. BOARD LAYOUT  
(P.C.B THK:0.8mm MIN)



3 P



2 P

TOLERANCES UNLESS OTHERWISE SPECIFIED:  
10\*\* : ±0.2  
30\*\*>10 : ±0.25  
100\*\*>30 : ±0.3  
ANGEL : ±3°

THIS DRAWING IS A CONTROLLED DOCUMENT.		DWN	-
DIMENSIONS: mm		CHK	-
TOLERANCES UNLESS OTHERWISE SPECIFIED:		APVD	-
0 PLC ± -		PRODUCT SPEC	108-60016
1 PLC ± -		APPLICATION SPEC	
2 PLC ± -		WEIGHT	0
3 PLC ± -		CUSTOMER DRAWING	
4 PLC ± -			
ANGLES ± -			
MATERIAL	FINISH	SIZE	CAGE CODE
SEE NOTE	SEE NOTE	A3	00779

16.0	19.8	9	2-292175-9	292175-9
14.0	17.8	8	2-▲-8	▲-8
12.0	15.8	7	2-▲-7	▲-7
10.0	13.8	6	2-▲-6	▲-6
8.0	11.8	5	2-▲-5	▲-5
6.0	9.8	4	2-▲-4	▲-4
4.0	7.8	3	2-▲-3	▲-3
2.0	5.8	2	2-292175-2	292175-2
F	E	POS.	BLACK	NATURAL
P/N				

**STE** TE Connectivity Ltd.

ON TAPING (EMBOSS)  
SMT TYPE POST HDR ASS'Y(V)  
W/O BOSS & WITH TAIL TYPE

NAME	RESTRICTED TO
	-
DRAWING NO	SCALE
C=292175	N/A
SHEET	REV
3 of 3	B4

# Mouser Electronics

Authorized Distributor

Click to View Pricing, Inventory, Delivery & Lifecycle Information:

[TE Connectivity:](#)

[292175-5](#)