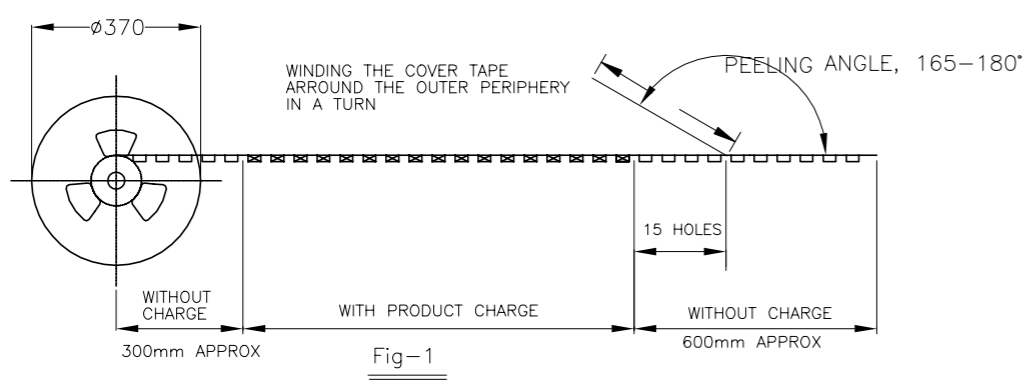
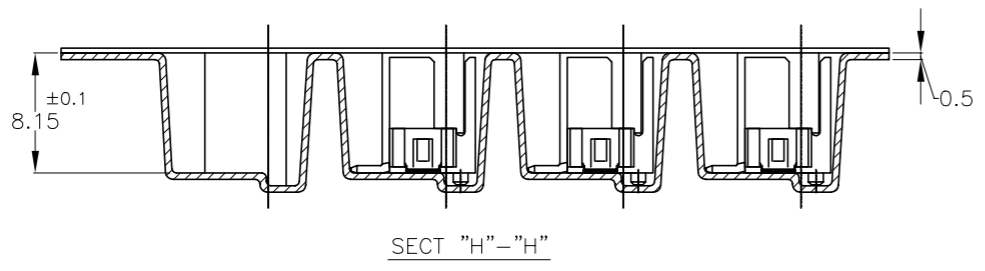
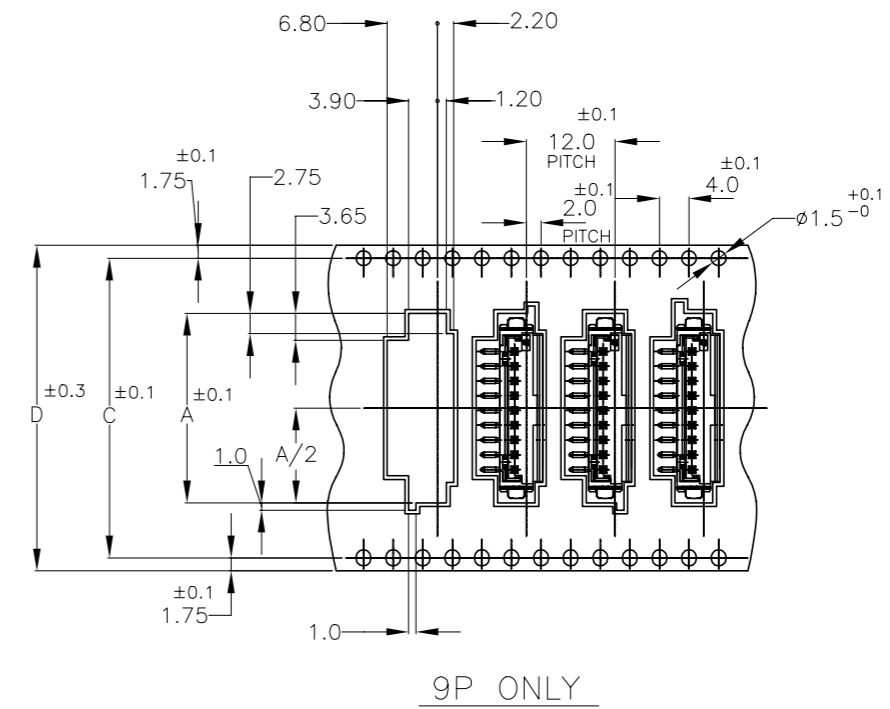
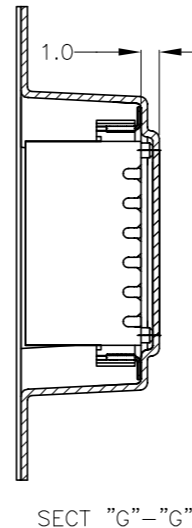
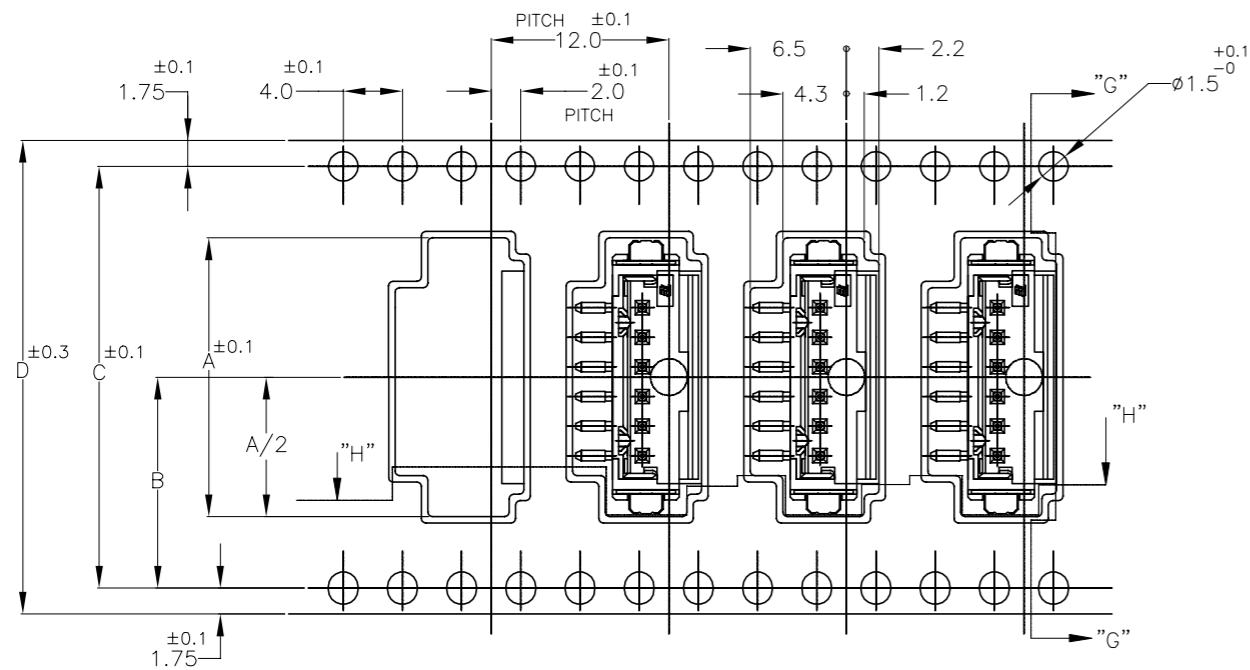


| LOC |  | DIST |  | REVISIONS |     |               |           |     |      |
|-----|--|------|--|-----------|-----|---------------|-----------|-----|------|
| ES  |  | 00   |  | P         | LTR | DESCRIPTION   | DATE      | DWN | APVD |
|     |  |      |  | C3        |     | ECR-22-127164 | 27OCT2021 | T.Q | N.S  |

(AS SHOWN : -6)



|         |       |      |      |       |      |          |            |        |     |
|---------|-------|------|------|-------|------|----------|------------|--------|-----|
| BLACK   |       | 44.0 | 40.5 | 20.25 | 25.6 | 9        | 2-292174-9 |        |     |
|         |       | 44.0 | 40.4 | 20.2  | 22.9 | 8        | 2-292174-8 |        |     |
|         |       | 32.0 | 28.4 | 14.2  | 20.9 | 7        | 2-292174-7 |        |     |
|         |       | 32.0 | 28.4 | 14.2  | 18.9 | 6        | 2-292174-6 |        |     |
|         |       | 32.0 | 28.4 | 14.2  | 16.9 | 5        | 2-292174-5 |        |     |
|         |       | 32.0 | 28.4 | 14.2  | 14.9 | 4        | 2-292174-4 |        |     |
|         |       | 32.0 | 28.4 | 14.2  | 12.9 | 3        | 2-292174-3 |        |     |
| WITH    | 32.0  | 28.4 | 14.2 | 10.9  | 700  | 2        | 2-292174-2 |        |     |
| NATURAL |       | 44.0 | 40.5 | 20.25 | 25.6 | 9        | 292174-9   |        |     |
|         |       | 44.0 | 40.4 | 20.2  | 22.9 | 8        | 292174-8   |        |     |
|         |       | 32.0 | 28.4 | 14.2  | 20.9 | 7        | 292174-7   |        |     |
|         |       | 32.0 | 28.4 | 14.2  | 18.9 | 6        | 292174-6   |        |     |
|         |       | 32.0 | 28.4 | 14.2  | 16.9 | 5        | 292174-5   |        |     |
|         |       | 32.0 | 28.4 | 14.2  | 14.9 | 4        | 292174-4   |        |     |
|         |       | 32.0 | 28.4 | 14.2  | 12.9 | 3        | 292174-3   |        |     |
| WITH    | 32.0  | 28.4 | 14.2 | 10.9  | 700  | 2        | 292174-2   |        |     |
| COLOR   | PLATE | D    | C    | B     | A    | QTY/REEL | POS        | TAPING | P/N |

NOTES:  
 1. PEELING RESISTANCE: 0.196N(20gf)-0.686N(70gf)  
 PEELING SPEED: 300mm/min

|                                      |       |
|--------------------------------------|-------|
| TOLERANCE UNLESS OTHERWISE SPECIFIED |       |
| 10 > *                               | ±0.2  |
| 30 > * > 10                          | ±0.25 |
| 100 > * > 30                         | ±0.3  |
| ANGLE                                | ±3°   |

THIS DRAWING IS A CONTROLLED DOCUMENT.

|      |            |         |
|------|------------|---------|
| DWN  | JACK HOU   | 17SEP10 |
| CHK  | MARTIN LI  | 17SEP10 |
| APVD | STEVEN YAO | 17SEP10 |

TE Connectivity

ON TAPING (EMBOSS)  
 TE CT CONNECTOR POST HEADER ASS'Y  
 (BOX-V SMT W/BOSS & TAIL)

|      |           |            |               |
|------|-----------|------------|---------------|
| SIZE | CAGE CODE | DRAWING NO | RESTRICTED TO |
| A3   | 00779     | C=292174   | -             |

CUSTOMER DRAWING

|       |        |     |
|-------|--------|-----|
| SCALE | SHEET  | REV |
| 1:1   | 1 OF 3 | C3  |

THIS DRAWING IS UNPUBLISHED.

RELEASED FOR PUBLICATION

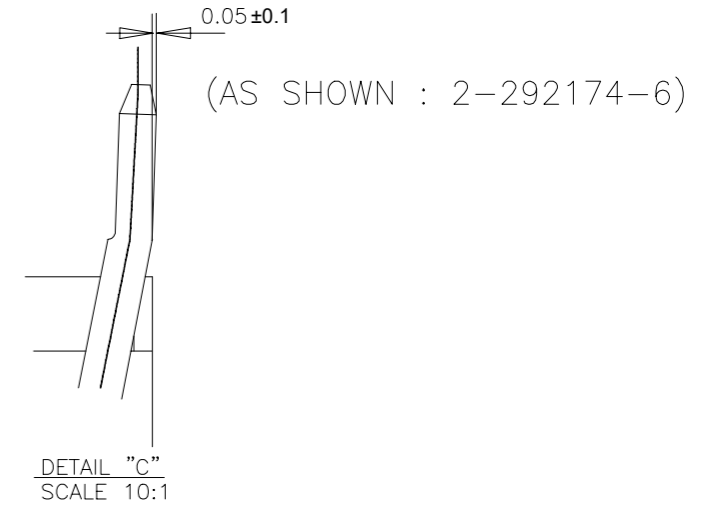
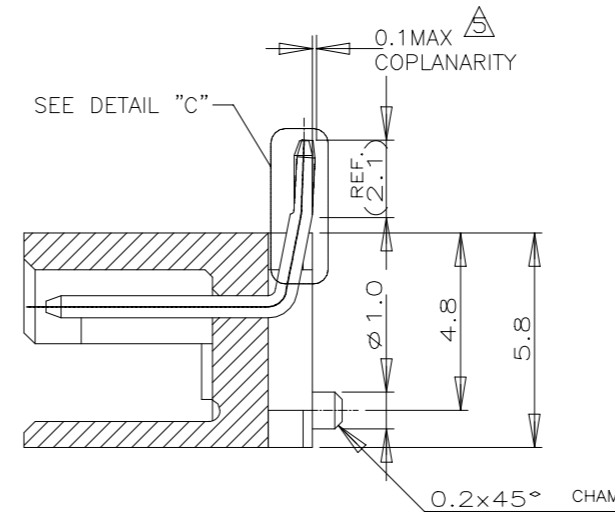
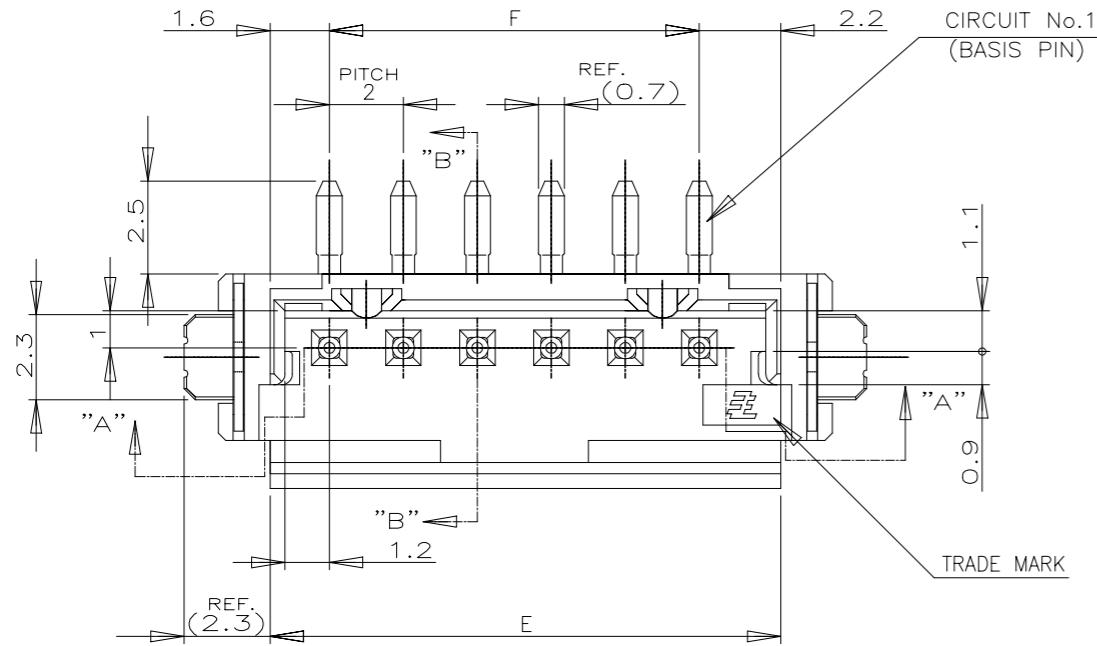
ALL RIGHTS RESERVED.

© COPYRIGHT - By -

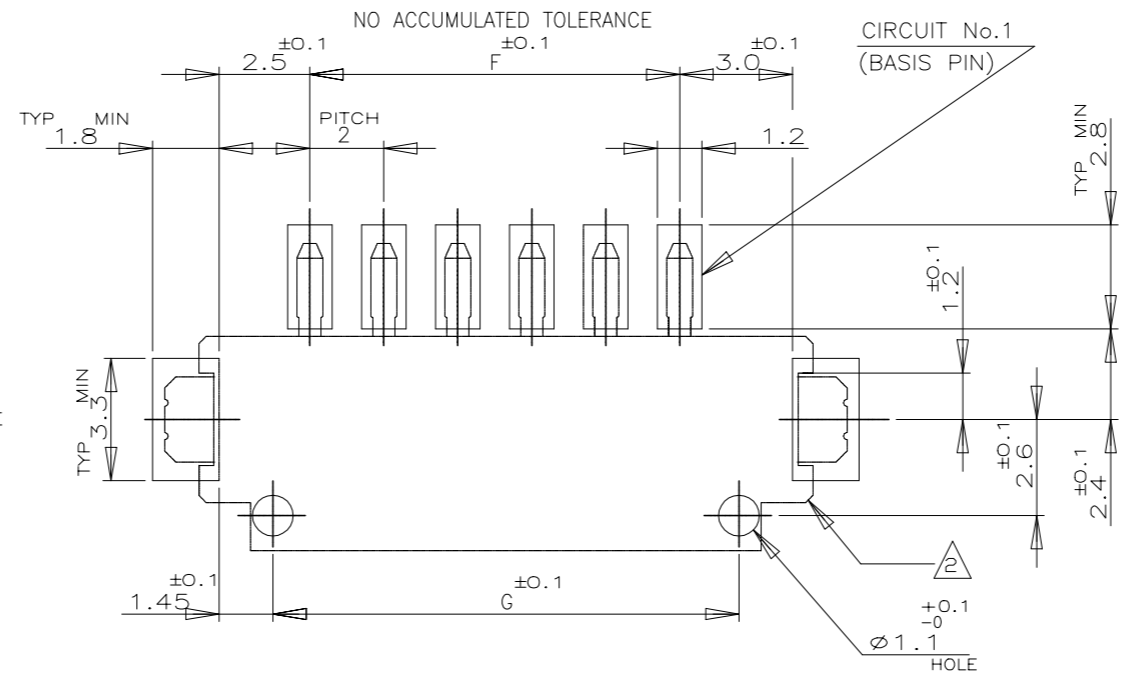
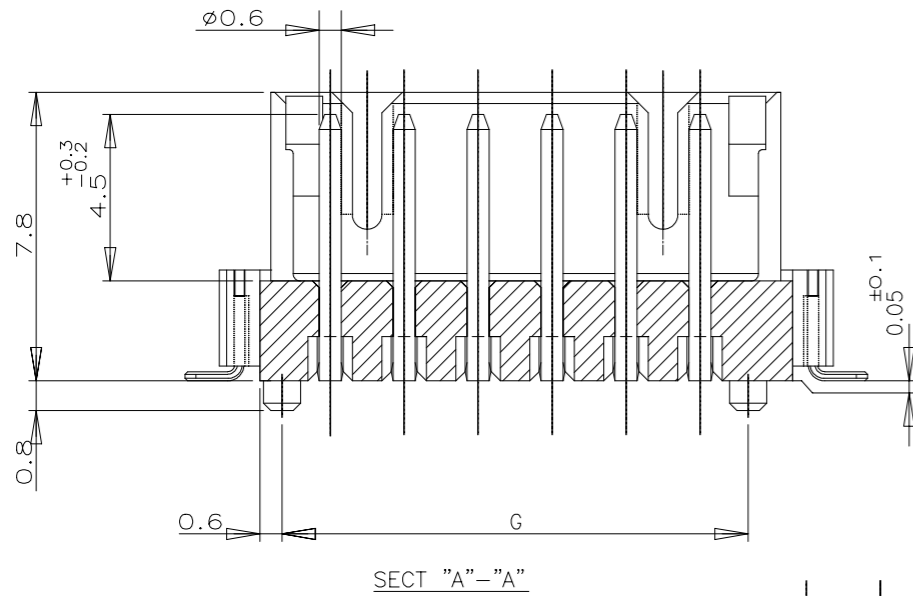
LOC ES DIST 00

REVISIONS

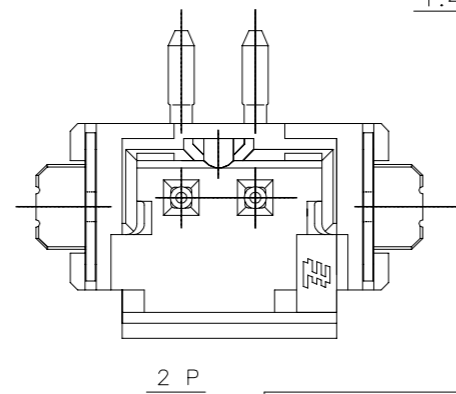
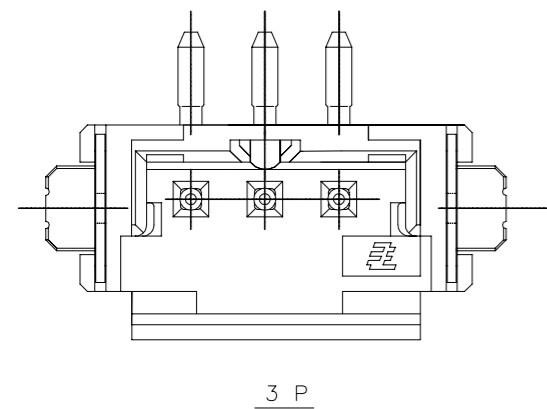
| P | LTR | DESCRIPTION | DATE | DWN | APVD |
|---|-----|-------------|------|-----|------|
| - | -   | SEE SHEET 1 | -    | -   | -    |



- NOTES:
- MATERIAL:HSG: NYLON (UL94V-0)  
COLOR:BLACK OR NATURAL  
POST:TIN BRASS  
TAIL:TIN BRASS
  - △ OCCUPANT AREA ON PC BOARD
  - PRODUCT SPEC :108-60016
  - △ TO BE MEASURED WITH CONNECTOR PLACED ON HORIZONTAL DATUM SURFACE,FLOAT OF SOLDER TINE AND TAIL FROM DATUM SURFACE IS 0.1mm MAX
  - △ 292174-6 SHOWED ON SHEET 3/3.



|      |      |      |      |            |          |
|------|------|------|------|------------|----------|
| 18.6 | 16.0 | 19.8 | g    | 2-292174-9 | 2921749  |
| 16.6 | 14.0 | 17.8 | 8    | 2- -8      | -8       |
| 14.6 | 12.0 | 15.8 | 7    | 2- -7      | -7       |
| 12.6 | 10.0 | 13.8 | 6    | 2- -6      | -6       |
| 10.6 | 8.0  | 11.8 | 5    | 2- -5      | -5       |
| 8.6  | 6.0  | 9.8  | 4    | 2- -4      | -4       |
| 6.6  | 4.0  | 7.8  | 3    | 2- -3      | -3       |
| 4.6  | 2.0  | 5.8  | 2    | 2-292174-2 | 292174-2 |
| G    | F    | E    | Pos. | BLACK      | NATURAL  |
| P/N  |      |      |      |            |          |



TOLERANCES UNLESS OTHERWISE SPECIFIED:  
 10 > \* : ±0.2  
 30 > \* > 10 : ±0.25  
 100 > \* > 30 : ±0.3  
 ANGEL : ±3°

THIS DRAWING IS A CONTROLLED DOCUMENT.

|                   |  |                         |
|-------------------|--|-------------------------|
| DIMENSIONS: MM    | TOLERANCES UNLESS OTHERWISE SPECIFIED: | DWN JACK HOU 17SEP10    |
| 0 PLC ± -         | 1 PLC ± -                              | CHK MARTIN LI 17SEP10   |
| 2 PLC ± -         | 2 PLC ± -                              | APVD STEVEN YAO 17SEP10 |
| 3 PLC ± -         | 3 PLC ± -                              | PRODUCT SPEC            |
| 4 PLC ± -         | 4 PLC ± -                              | APPLICATION SPEC        |
| ANGLES ± -        | ANGLES ± -                             | WEIGHT -                |
| MATERIAL SEE NOTE | FINISH SEE NOTE                        | CUSTOMER DRAWING        |

STE TE Connectivity

SMT TYPE POST HDR ASS'Y(V) WITH BOSS & WITH TAIL TYPE TE CT CONN. 2 mm PITCH

|       |           |            |               |
|-------|-----------|------------|---------------|
| SIZE  | CAGE CODE | DRAWING NO | RESTRICTED TO |
| A3    | 00779     | C=292174   | -             |
| SCALE | SHEET     | REV        |               |
| N/A   | 2 OF 3    | C3         |               |

4

3

2

1

THIS DRAWING IS UNPUBLISHED.

RELEASED FOR PUBLICATION

-- --

ALL RIGHTS RESERVED.

© COPYRIGHT - By -

LOC  
ES 00

REVISIONS

| P | LTR | DESCRIPTION | DATE | DWN | APVD |
|---|-----|-------------|------|-----|------|
| - | -   | SEE SHEET 1 | -    | -   | -    |

1.6 F 2.2 CIRCUIT No.1 (BASIS PIN)

PITCH 2 REF. (0.7)

"B"

2.5 1.1

2.3 "A"

0.9

"B"

1.2

REF. (2.3) E

TRADE MARK

0.05±0.1

0.1MAX COPLANARITY

SEE DETAIL "C"

7.5 REF. (2.1)

∅1.0 4.8 5.8

0.2x45° CHAM

SECT "B"- "B"

(AS SHOWN : 292174-6)

DETAIL "C"  
SCALE 10:1

NOTES;

2. MATERIAL:HSG: NYLON (UL94V-0)  
COLOR:BLACK OR NATURAL  
POST:TIN BRASS  
TAIL:TIN BRASS

△ OCCUPANT AREA ON PC BOARD

4. PRODUCT SPEC :108-60016

△ TO BE MEASURED WITH CONNECTOR PLACED  
ON HORIZONTAL DATUM SURFACE, FLOAT OF  
SOLDER TINE AND TAIL FROM DATUM  
SURFACE IS 0.1mm MAX

∅0.6

7.8 +0.3  
-0.2

4.5

0.8

0.6 G

SECT "A"- "A"

NO ACCUMULATED TOLERANCE

±0.1 F ±0.1

2.5 ±0.1 3.0 ±0.1

CIRCUIT No.1 (BASIS PIN)

TYP 1.8 MIN

PITCH 2

1.2

TYP MIN 2.8

±0.1

1.2

±0.1

2.6

±0.1

2.4

±0.1

1.45

±0.1 G ±0.1

∅1.1 HOLE

+0.1  
-0

RECOMENOD P.C.BOARD LAYOUT  
(P.C.B THK:0.8mm MIN)

3 P

2 P

TOLERANCES UNLESS  
OTHERWISE SPECIFIED:  
10>\* : ±0.2  
30>\*>10 : ±0.25  
100>\*>30 : ±0.3  
ANGEL : ±3'

THIS DRAWING IS A CONTROLLED DOCUMENT.

DIMENSIONS:  
MM

MATERIAL  
SEE NOTETOLERANCES UNLESS  
OTHERWISE SPECIFIED:

|        |     |
|--------|-----|
| 0 PLC  | ± - |
| 1 PLC  | ± - |
| 2 PLC  | ± - |
| 3 PLC  | ± - |
| 4 PLC  | ± - |
| ANGLES | ± - |

FINISH  
SEE NOTE

DWN JACK HOU 17SEP10

CHK MARTIN LI 17SEP10

APVD STEVEN YAO 17SEP10

PRODUCT SPEC

SEE NOTE

APPLICATION SPEC

WEIGHT -

CUSTOMER DRAWING

NAME

SMT TYPE POST HDR ASS'Y(V)

WITH BOSS &amp; WITH TAIL TYPE

TE CT CONN. 2 mm PITCH

SIZE CAGE CODE DRAWING NO RESTRICTED TO

A3 00779 C=292174

SCALE N/A SHEET 3 OF 3 REV C3

TE Connectivity

|      |      |      |      |            |          |
|------|------|------|------|------------|----------|
| 18.6 | 16.0 | 19.8 | g    | 2-292174-9 | 2921749  |
| 16.6 | 14.0 | 17.8 | 8    | 2- -8      | -8       |
| 14.6 | 12.0 | 15.8 | 7    | 2- -7      | -7       |
| 12.6 | 10.0 | 13.8 | 6    | 2- -6      | -6       |
| 10.6 | 8.0  | 11.8 | 5    | 2- -5      | -5       |
| 8.6  | 6.0  | 9.8  | 4    | 2- -4      | -4       |
| 6.6  | 4.0  | 7.8  | 3    | 2- -3      | -3       |
| 4.6  | 2.0  | 5.8  | 2    | 2-292174-2 | 292174-2 |
| G    | F    | E    | Pos. | BLACK      | NATURAL  |
| P/N  |      |      |      |            |          |

1470-19 (3/11)

# Mouser Electronics

Authorized Distributor

Click to View Pricing, Inventory, Delivery & Lifecycle Information:

[TE Connectivity:](#)

[292174-4](#)