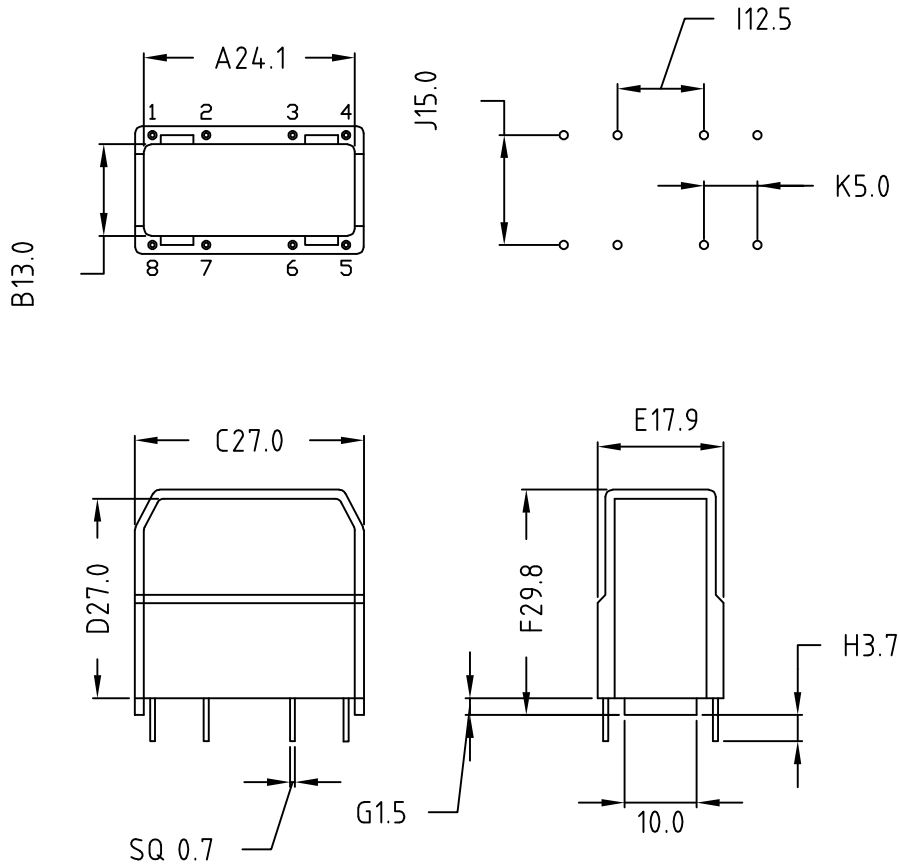




台灣高分子工業股份有限公司
TAIWAN POLYMER INDUSTRIAL CO., LTD.

PRODUCT SPEC.

TPI No 1820004



DATE	REVISED STORY	MODEL : T-VTC-4 CASE (TPI NO.:1820004)		
6/01'02	RELEASED THE NEW DRAWING SPEC.	BOBBIN MATERIAL : Nylon 66/GF UL94V-0		
		PIN MATERIAL : CP WIRE (TIN PLATED)		
		DATE : Aug 01,2020	REV. : A	TOLERANCE : .XXX±0.08 .XX ±0.1 .X ±0.2