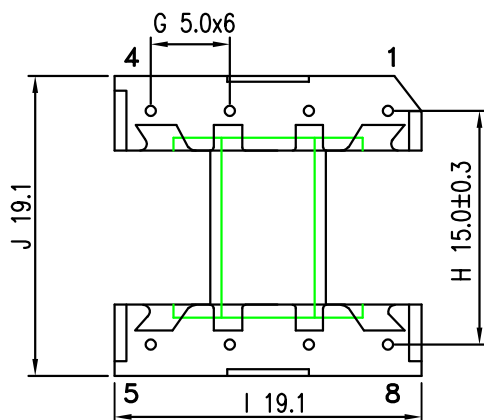
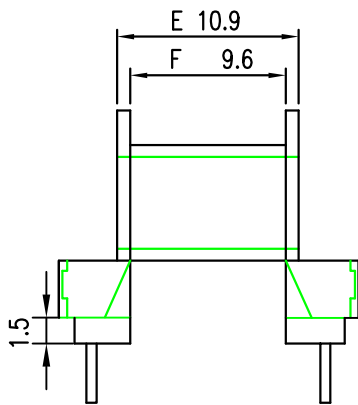
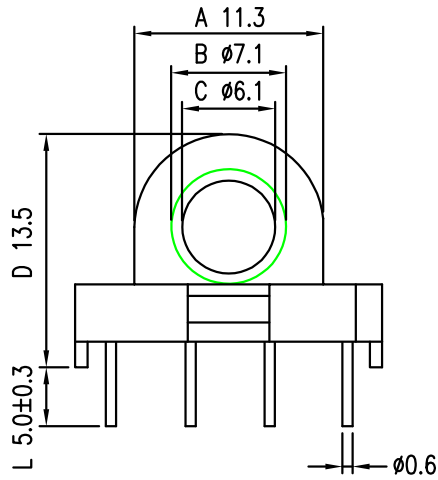




TPI NO.: 1701701



DATE	REVISED STORY	MODEL : EP17-8PIN (TPI NO.:1701701)		
6/01'02	RELEASED THE NEW DRAWING SPEC.	BOBBIN MATERIAL : PHENOLIC RESIN UL94V-0		
8/01'20	REMOVE CLAMP	PIN MATERIAL : CP WIRE (TIN PLATED)		
		DATE : AUG 01,2020	REV.: B	TOLERANCE : .XXX $\pm 0.08$ .XX $\pm 0.1$ .X $\pm 0.2$