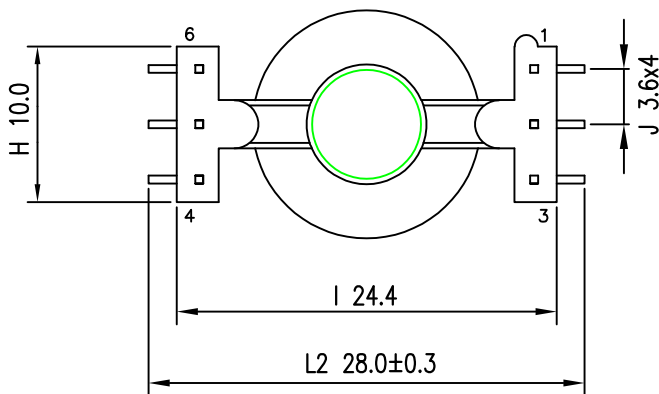
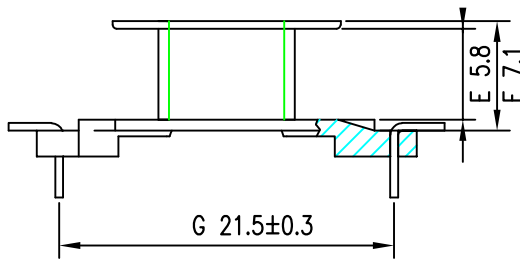
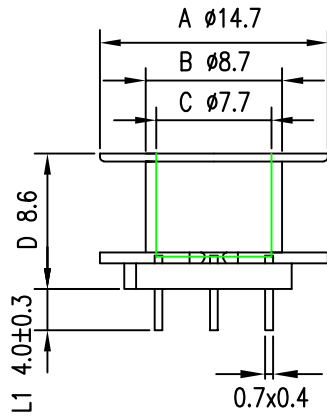




TPI NO.: 1601803



DATE	REVISED STORY	MODEL : POT COIL 18x11-6PIN (TPI NO.:1601803)		
6/01'02	RELEASED THE NEW DRAWING SPEC.	BOBBIN MATERIAL : Nylon 66/GF UL94HB; LCP UL94V-0		
8/01'20	REMOVE CLAMP	PIN MATERIAL : PHOSPHORUS BRONZE (TIN PLATED)		
		DATE : Aug. 01,2020	REV. : B	TOLERANCE : .XXX ± 0.08 .XX ± 0.10 .X ± 0.20