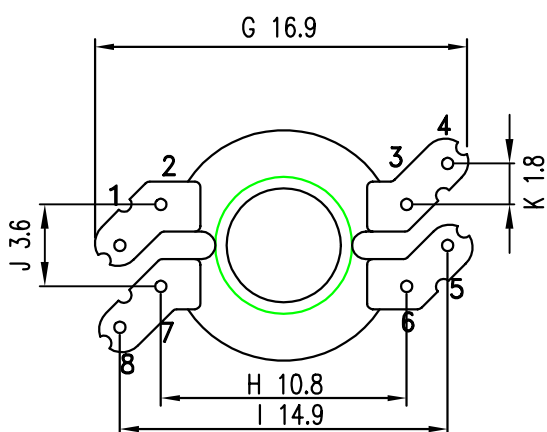
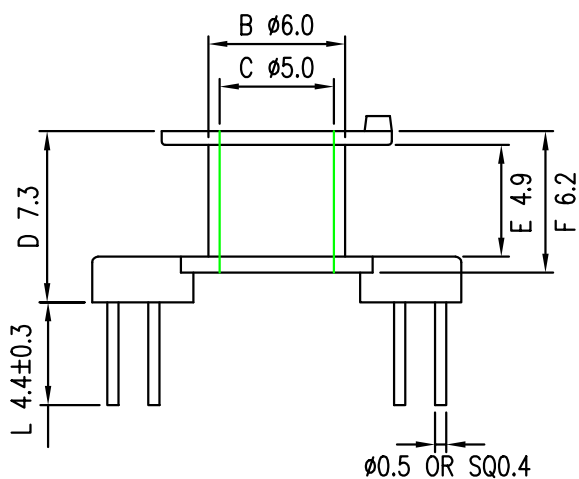
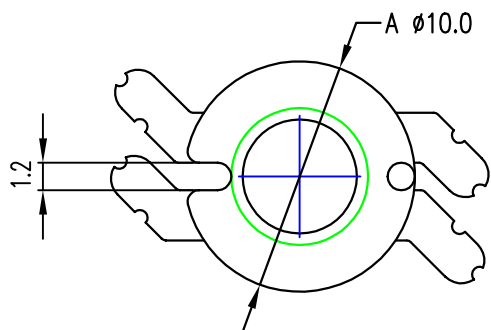
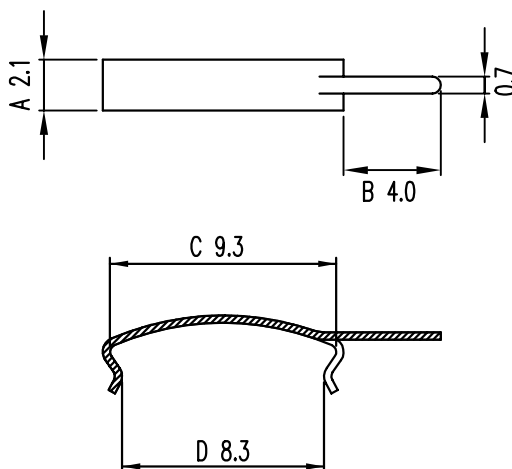




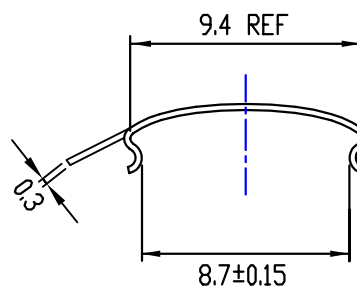
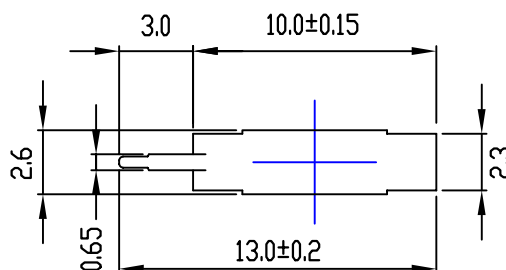
TPI NO.: 1505006



TPI NO. : 1505001



TPI NO.: 1505001-S



DATE	REVISED STORY	MODEL : RM 5-8PIN (TPI NO.:1505006) RM 5-CLAMP (TPI NO.:1505001) RM 5-CLAMP (TPI NO.:1505001-S)		
6/01'02	RELEASED THE NEW DRAWING SPEC.	BOBBIN MATERIAL : PHENOLIC RESIN UL94V-0 PIN MATERIAL : CP WIRE (TIN PLATED) CLIP MATERIAL : SK7 0.3t		
		DATE :	REV.:	TOLERANCE : .XXX ± 0.08 .XX ± 0.1 .X ± 0.2
		June 01,2002	A	