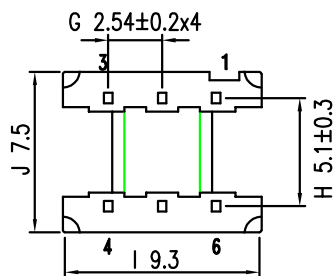
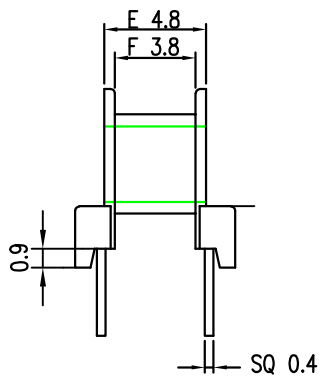
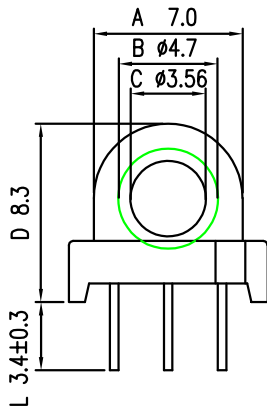




台灣高分子工業股份有限公司
TAIWAN POLYMER INDUSTRIAL CO., LTD.

PRODUCT SPEC.

TPI NO.: 1707001



DATE	REVISED STORY	MODEL : EP-7-6PIN-1SEC (TPI NO. : 1707001)		
6/01'02	RELEASED THE NEW DRAWING SPEC.	BOBBIN MATERIAL : PHENOLIC RESIN UL94V-0		
8/01'20	REMOVE CLAMP	PIN MATERIAL : CP WIRE (TIN PLATED)		
		DATE : AUG 01,2020	REV. : B	TOLERANCE : .XXX±0.08 .XX ±0.1 .X ±0.2