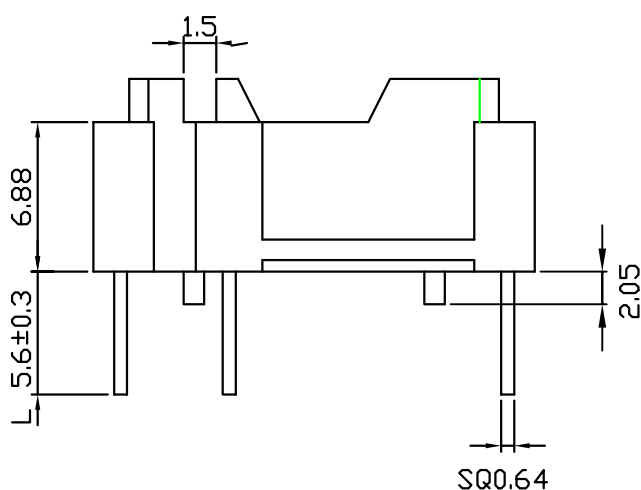
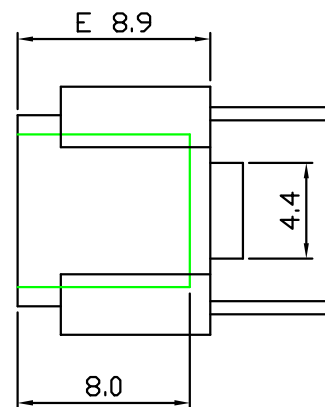
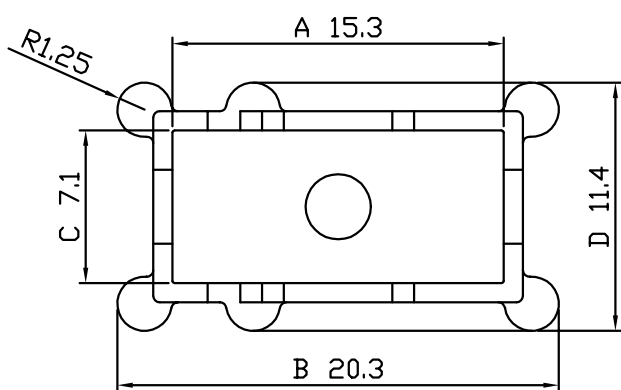
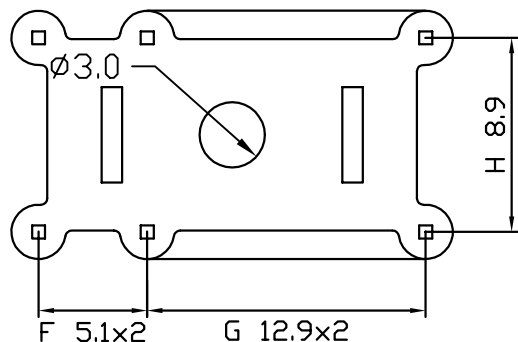




TPI NO.: 1800016



DATE	REVISED STORY	MODEL :	VTM 600-6PIN (TPI NO.:1800016)	
6/01'02	RELEASED THE NEW DRAWING SPEC.	BOBBIN MATERIAL :	Nylon 46/GF UL94V-0	
		PIN MATERIAL :	CP WIRE (TIN PLATED)	
		DATE :	REV. :	TOLERANCE :
		June 01,2002	A	.XXX±0.08 .XX ±0.1 .X ±0.2