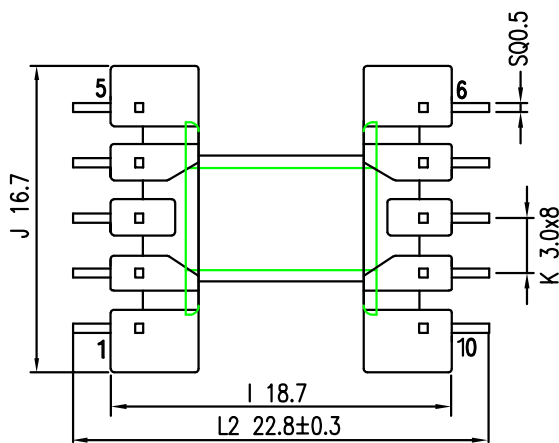
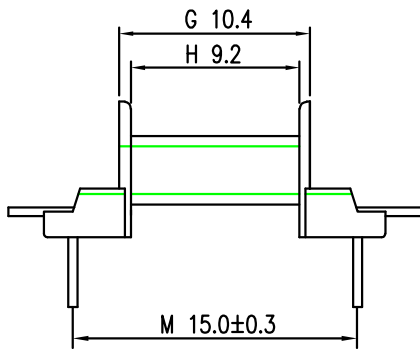
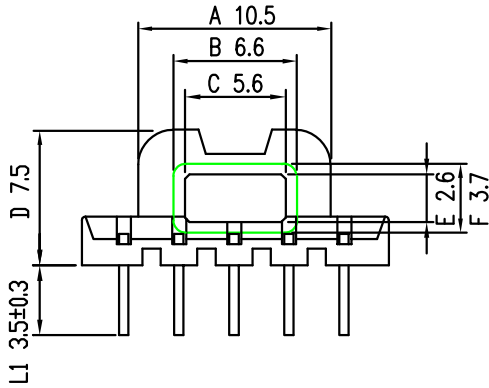




TPI NO.: 2101501



DATE	REVISED STORY	MODEL : EFD-15-10PIN (TPI NO. : 2101501)	
6/01'02	RELEASED THE NEW DRAWING SPEC.	BOBBIN MATERIAL : Nylon 46/GF UL94V-0	
8/01'10	REMOVE CLAMP	PIN MATERIAL : CP WIRE (TIN PLATED)	
		DATE : Aug 01,2020	REV.: B
		TOLERANCE : .XXX±0.08 .XX ±0.1 .X ±0.2	